

O^TR

TYRES WHEELS AXLES

O^TR MINING PRODUCTS CATALOGUE





25

AIR Tyres

777G



CATALOGUE CONTENTS

Wheel Information	6
Rim & Wheel Components	8
Rim & Wheel Profiles	9
Rim & Wheel Types	10
Light Vehicle Wheels	11
Custom Manufacturing	12
Testing & Repairs	13
ILR & DLR Wheels & Rims	14
Bead Seat Bands, Lock & Side Rings	18
Lock Ring Profiles	19
Magnetic Valve Guards	20
SLB HD Valve Extensions	21
Driver Keys	23
OTR Accessories	24
Loader Wheels	28
Dump Truck Wheels	33
Articulated Dump Truck Wheels	38
Port Wheels	40
Grader Wheels	41
Underground Mining Wheels	42
Caterpillar Wheels	50
Hitachi Wheels	55
Komatsu Wheels	56
Terex Wheels	59
Volvo Wheels	60
Liebherr Wheels	61



OTR
TYRES WHEELS AXLES

The OTR logo consists of the letters 'OTR' in a bold, white, sans-serif font. The 'O' is a solid white circle, while the 'T' and 'R' are white outlines with a slight shadow effect.

MADE IN AUSTRALIA

MINING & CONSTRUCTION

This catalogue is intended as a guide to cover the range of products supplied by OTR - Tyre Wheels Axles. Please contact our National Customer Service Centre 1300 CALL OTR for a current list price. All goods sold by OTR - Tyre Wheels Axles are covered by manufacturer's warranty.

Whilst all efforts have been made to publish this document with respect to accuracy supplied by manufacturers of products, OTR - Tyre Wheels Axles accepts no responsibility for claims resulting from information provided herein. All sales are covered by OTR - Tyre Wheels Axles Conditions of Sales and Credit Terms.

It is the responsibility of the purchaser to check all goods supplied by OTR - Tyre Wheels Axles at time of delivery. Errors in delivery must be reported to OTR - Tyre Wheels Axles Customer Service Department within 24 hours of receipt and any incorrect deliveries at the fault of OTR - Tyre Wheels Axles will be replaced by OTR - Tyre Wheels Axles without cost to the Dealer.

All goods returned outside these parameters shall be subject to a 10% surcharge and freight for returned goods shall be at the purchaser's cost. OTR - Tyre Wheels Axles return procedure must be followed otherwise goods will not be accepted.

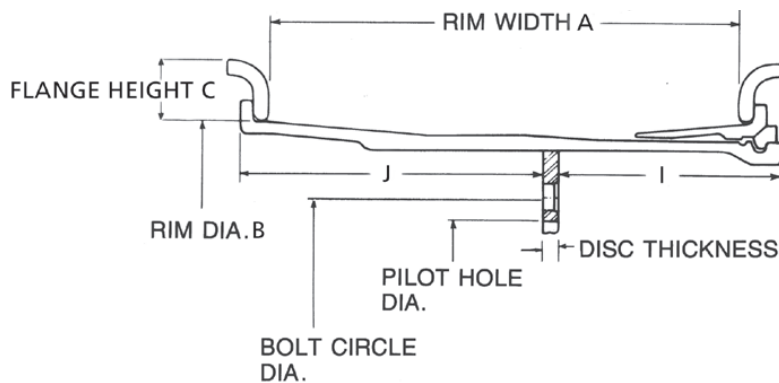


WHEEL INFORMATION

OTR ENGINEERED LARGE DIAMETER RIMS, WHEELS & COMPONENTS

- **Use of specifically designed high-strength low-alloy material in crucial components**
Ensures maximum fatigue life.
- **Shot-peened lock ring groove and other high stress areas**
Provides favorable residual compressive stress in critical areas for long life.
- **Machined lock ring grooves and mating component surfaces**
Assures even stress distribution for maximum fatigue life and safety.
- **Machined o-ring grooves**
Provides positive sealing and air retention.
- **Periodic inspection of circumferential weld joints by X-Ray or Ultrasound**
World class quality assurance of submerged arc welds eliminates potential weld problems.
- **Use of ring rolled forgings**
Ensures maximum fatigue life.

ALL RIM TYPES COVERED IN THIS CATALOGUE CAN BE MADE INTO WHEELS



Information Required:

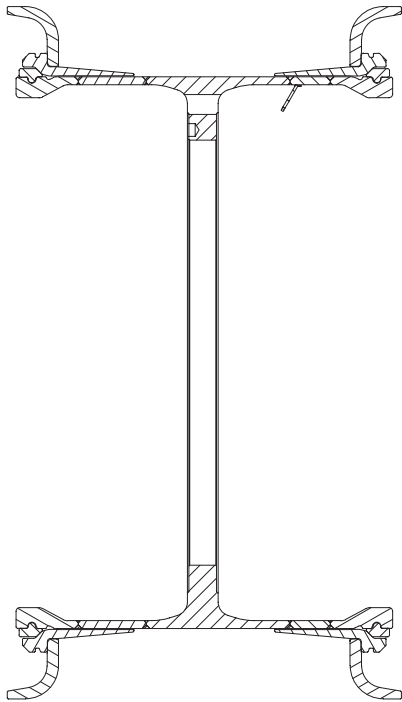
Operating Conditions

Maximum load, inflation pressure, speed, tyre size and ply rating.

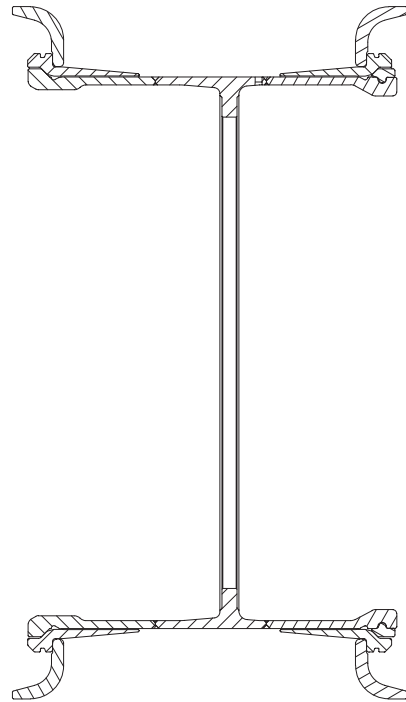
Design Details

Bolt circle diameter, number of holes, bolt hole configuration (straight or countersink), hole diameter, bore size, disc thickness, disc location (offset), hub drawing (when available).

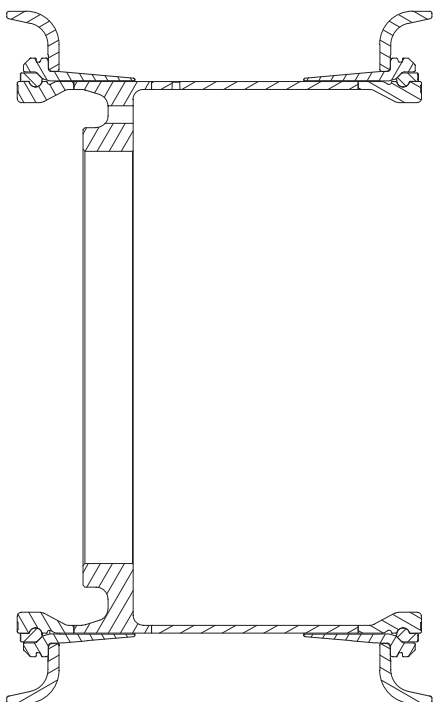
DLR WHEEL



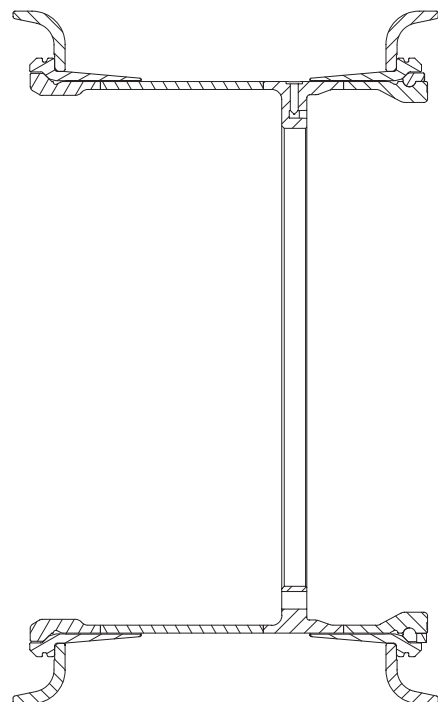
ILR WHEEL



DLR ULX WHEEL

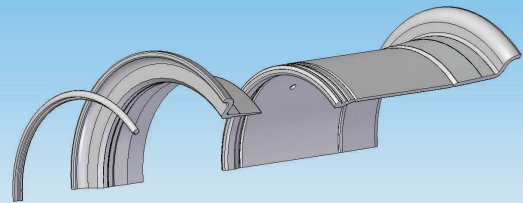


ILR ULX WHEEL

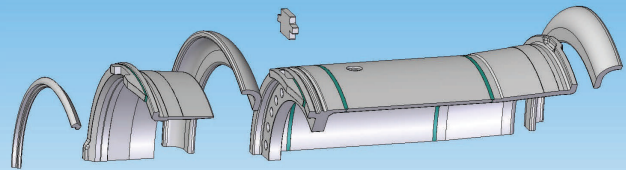


RIM & WHEEL COMPONENTS

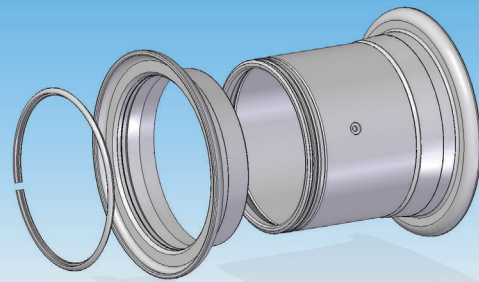
STANDARD SPECIFICATIONS



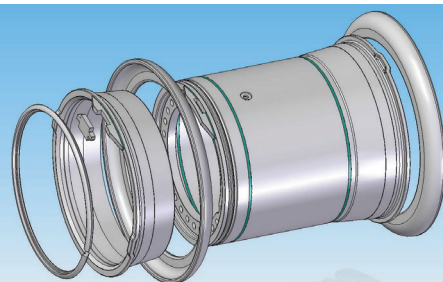
DRIVER POCKET SPECIFICATIONS



3 PIECE RIM STANDARD

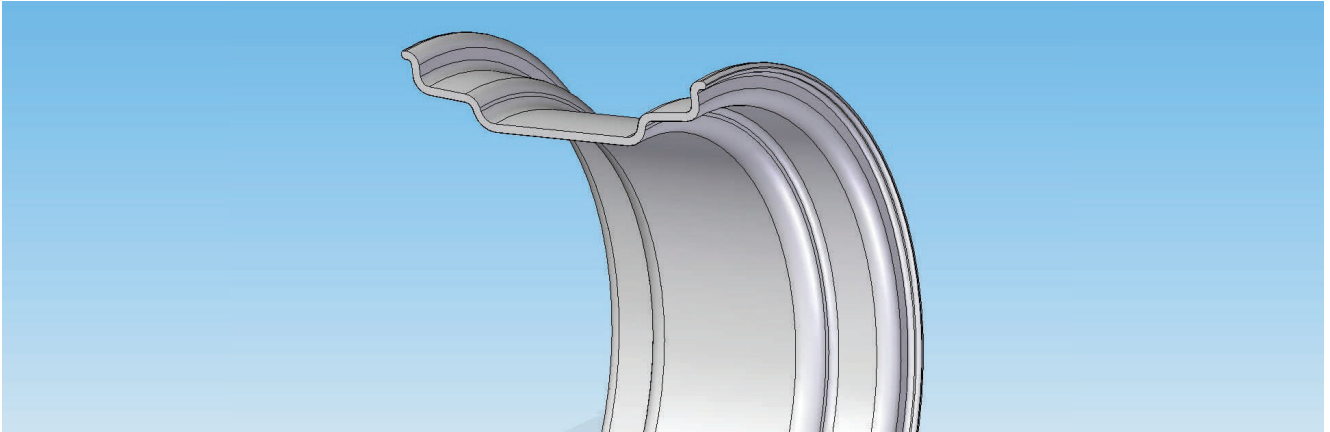


5 PIECE RIM WITH DRIVER

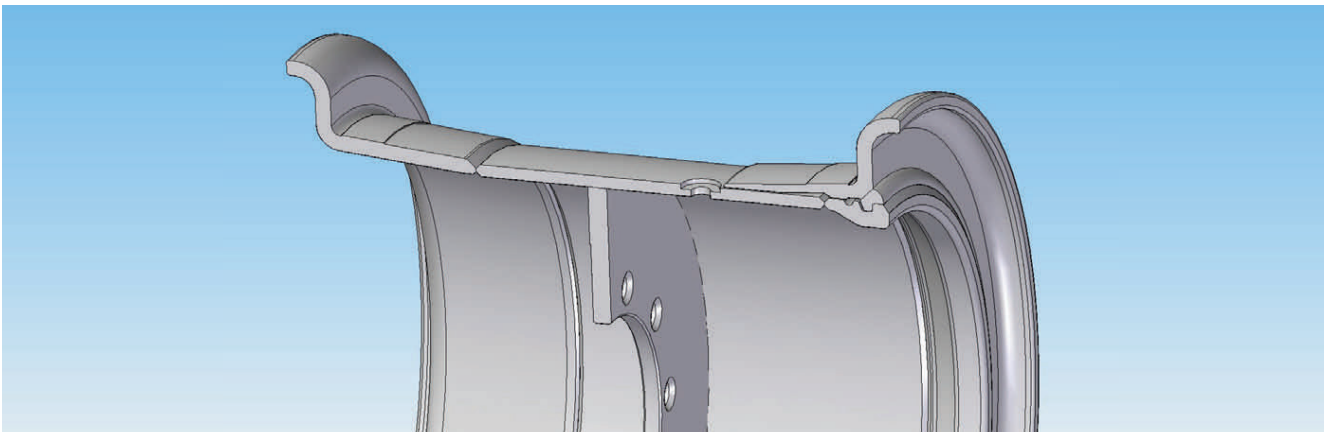


RIM & WHEEL PROFILES

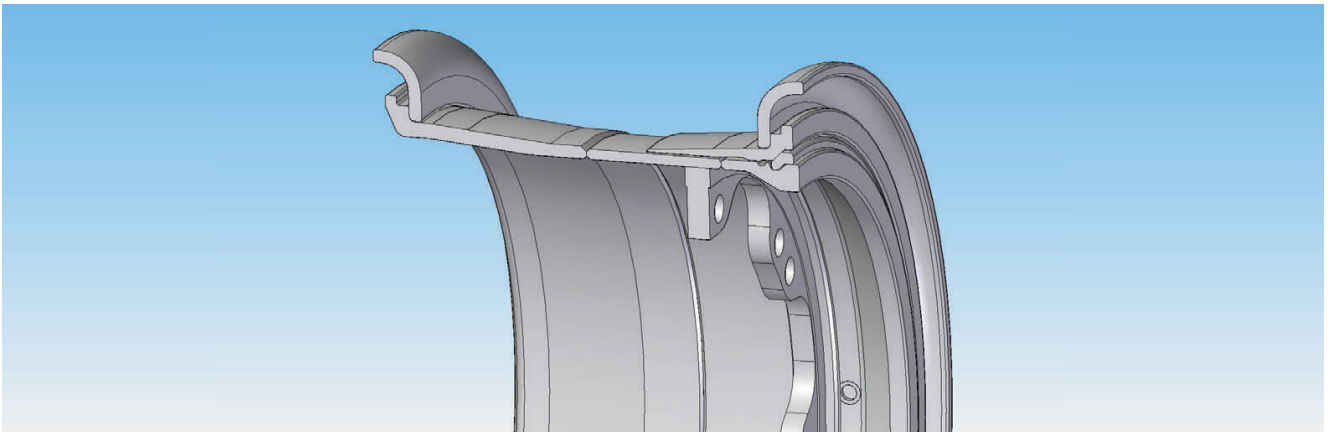
1 PIECE ASSEMBLY



3 PIECE ASSEMBLY



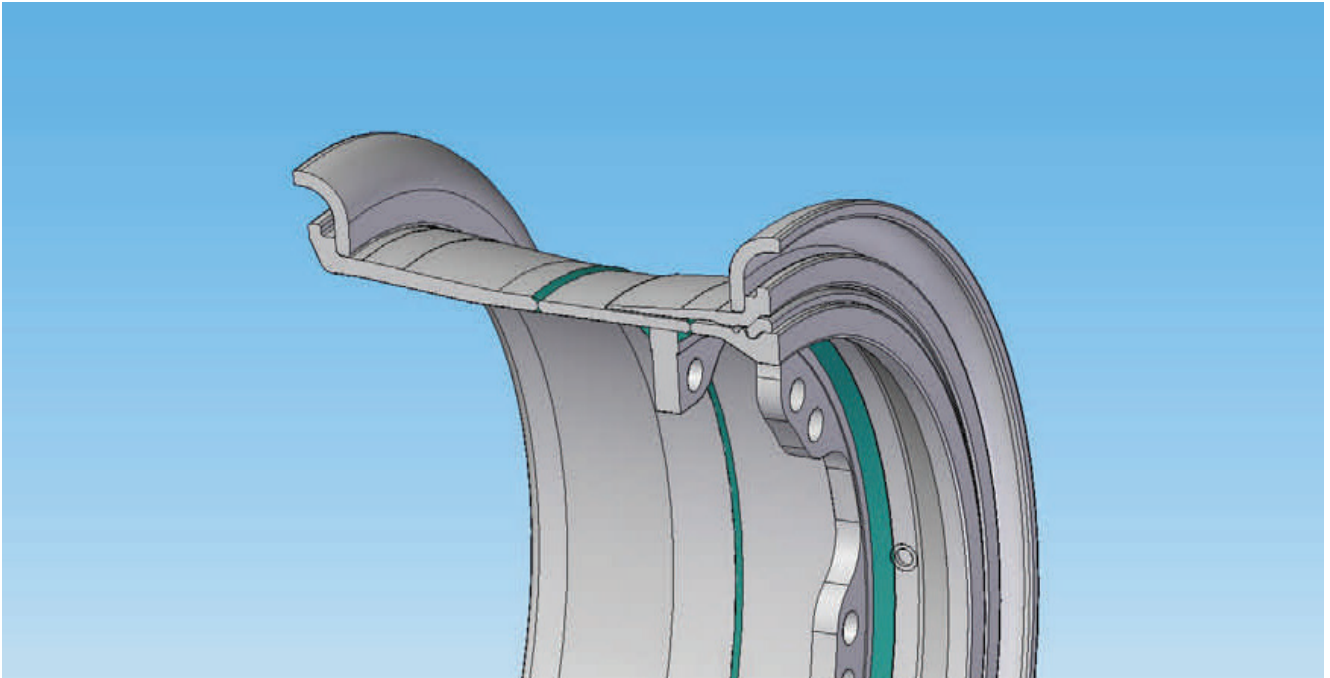
5 PIECE ASSEMBLY



RIM & WHEEL TYPES

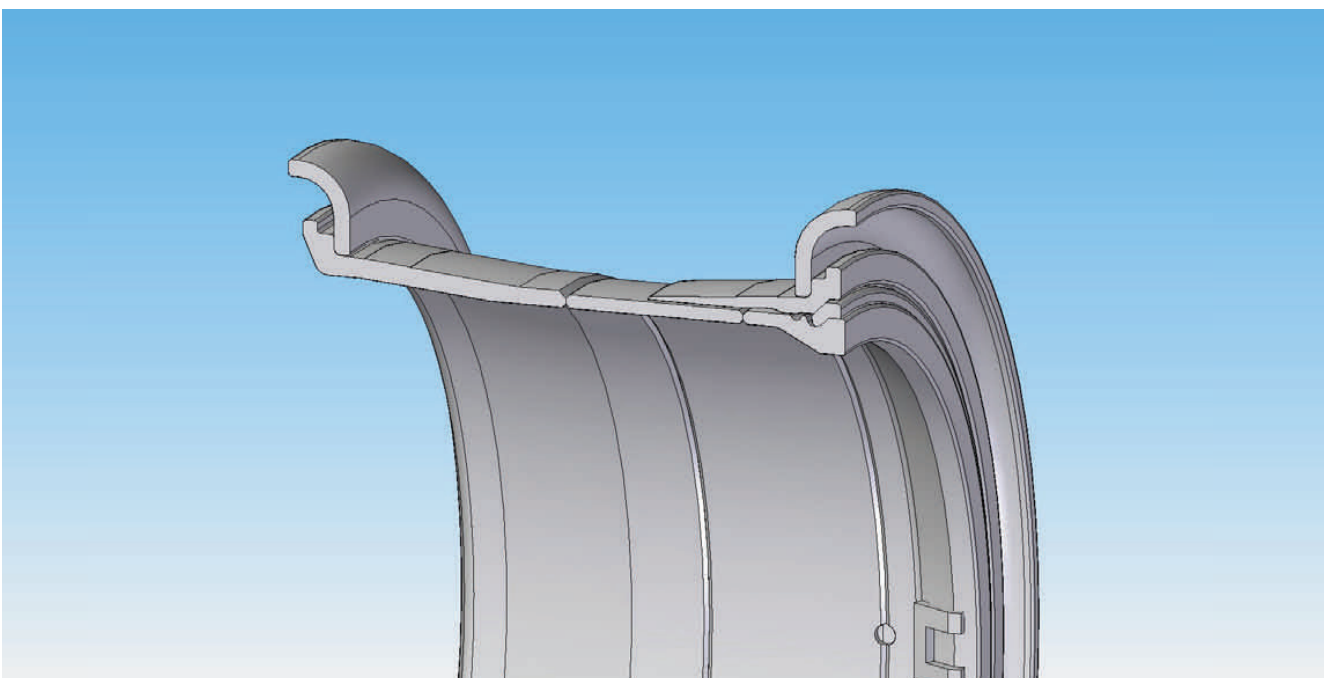
NON-DEMOUNTABLE WHEEL

Non-Demountable Wheel is when a rim is fitted with a mounting disc to suit a specific application.



DEMOUNTABLE RIM

Demountable Rim has no mounting disc fitted.




LIGHT VEHICLE WHEELS

Your first choice for quality steel wheels is OTR and Terra Wheels. With extra heavy duty specifications wheels rated up to 2100kg, round hole design for superior strength and high quality painted finishes in either black or white, these wheels are a premium made product. An added benefit to our range is that they are also safe to use with your original wheel nuts.

VEHICLES	SIZE	COLOUR	PART NUMBER	PCD	CENTRE BORE	OFFSET	LOAD RATING
Landcruiser	16x7	Black	WH1675150MSBL	5/150	113.0mm	0	2100kg
Landcruiser	16x7	White	WH1675150MSW	5/150	113.0mm	0	2100kg
Prado/Hilux	16x7	Black	WH16761397E25MSBL	6/139.7	110.5mm	25	2100kg
Prado/Hilux	16x7	White	WH16761397E25MSWH	6/139.7	110.5mm	25	2100kg
Landcruiser	17x8	Black	WH178150E0MSB	5/150	113.0mm	0	2000kg
Prado/Hilux	17x8	Black	WH17861397MSBL	6/139.7	106.0mm	25	1800kg

TERRA WHEEL





CUSTOM MANUFACTURING

OTR manufactures wheels and axles to meet clients specifications, be it for a tractor, a harvester, a dump truck or any other machinery that is used in Mining, Construction, Industrial, Agriculture and Earthmoving. When OTR sell the product, the relationship does not end there. On-site support is as important to us as it is to the customer. With tyres to suit the application and backed by an experienced sales & support team, OTR is there to keep you on the move.

OTR is the market leader in the design, development and manufacture of wheels to the 'off-highway' industry. Supplying the world's most respected original equipment manufacturers like Caterpillar, Volvo, Komatsu and Hitachi & Liebherr means that our product, service and delivery must consistently meet the high standards set by these companies.

In addition, OTR designs, develops and manufactures wheels for the agricultural, construction and mining industries. From earthmoving equipment, trucks and tractors to forklift and industrial vehicles, no mobile tyre problem is too big or too challenging. We will get your vehicles on the move again fast, minimizing downtime and maximizing the return on your tyre investments. OTR offers a complete range of wheels, from 6" through to 63" in diameter, including fixed welded wheels, adjustable bolted tractor wheels, demountable (spider mount) rim options and clipon dual applications.

Manufacturing capabilities are backed by the best wheel engineers, Customer Service Department and dedicated sales team all ensuring that components are manufactured to the highest standards and delivered on time. As a customer-focused and process-oriented company, no other wheel manufacturer can match our experience, capability, quality and design. Environmental accreditation along with attention to waste control is a reflection of our company values.

The wheel is the most integral part of a ground vehicle. Every aspect of design and development is unique for each application. By working with our customers we continually improve current designs and research technology to develop more effective products. Our in-house wheel and rim inspection, repair and certification services are performed by our fully qualified staff in accordance with AS:4457.1: 2007 and related standards in Western Australia (WA), Queensland (QLD), New South Wales (NSW) and Victoria (VIC).

**CUSTOM MANUFACTURING
MADE IN AUSTRALIA FOR
AUSTRALIAN CONDITIONS**

TESTING & REPAIRS

All wheel and rim inspections, repairs, modifications and manufacturing are in accordance with AS 4457.1-2007 and all other referenced documents. OTR can supply a full service from simple repairs, through to supplying new wheels and components.



1. Wear assessment (NDT Inspection)



2. Back Grinding (Section Replacement)



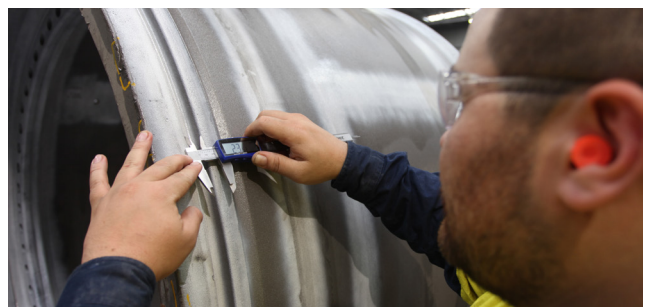
3. Welding (Section Replacement)



4. Welding (Section Replacement)



5. Machining (Repair Preparation)



6. Wear assessment (NDT Inspection)



7. Workshop



8. Finished product.

ILR & DLR WHEELS & RIMS

THE QUICK CHANGE OPTIONS

OTR'S HEAVY DUTY QUICK CHANGE RIM SYSTEM FOR LARGE MINING TRUCKS

Compared to the standard fitment five-piece wheels and the Double Gutter seven-piece wheels currently offered, the OTR QCR System provides an increase Non-Destructive test interval periods, longer wheel life, improved safety through fewer wheel & component removal/install, resulting in faster tyre change outs and increased up time.

OTR offers the QCR System fitted to all six-wheel positions and is available for most makes and models of large mining trucks.

Traditionally, the only way to change the inside dual tyre on the rear axle of a large mining truck was to remove the outside wheel and tyre assembly. This process is time-consuming and downtime results in a loss of production. To overcome this, the DLR (Double Lock Ring) has the same diameter as inner rear dual wheel/rim. This allows the inner and outer tyres to be removed and replaced without the need for any of the rear wheel/rim bases to be removed, improving safety for tyre servicemen and reduced machine downtime which leads to increase productivity.

The DLR fitted to positions 3 & 6 consists of the wheel/rim base, two-bead seat bands, two-side flanges and two-lock rings, one of which is a 2pc design, whilst ILR (Integrated Lock Ring) used on positions 1,2 4 & 5 consists of the wheel/rim base, two-bead seat bands, two-side flanges and one-lock ring. The back section of the ILR wheel base has been modified to include an integrated lock ring and O-ring groove, this accommodates the addition of a second bead seat band which allows a tyre to be removed without the need for a hydraulic bead breaker tool to separate the inner tyre bead from the wheel base. As a safety feature, both the ILR and DLR wheels/rims have Sur-locs fitted to each of the Bead Seat Bands.

Additionally, the Mega Bore tyre

inflation system can be incorporated to allow even further reduction in tyre change time by reducing both the deflation and inflation periods. "The Mega Bore system increases the flow area by 2.46 times the current system" said Travis Parsons, General Manager - Sales.

The advantage of using an ILR wheel on positions 1,2,4 & 5 against standard five piece wheel is to allow all tyres positions to be easily rotated to other positions without having to remove or fit components, making tyre rotations faster and easier. When you combine the ILR and DLR across the machine the benefit of this combination saves time, increasing productivity and improves tyre servicemen safety with the reduction in repetitive tasks such as use of impact guns.

Savings can also be calculated by the simple fact that the wheels have not been removed from the truck, so re-torques are not required, increasing truck availability.

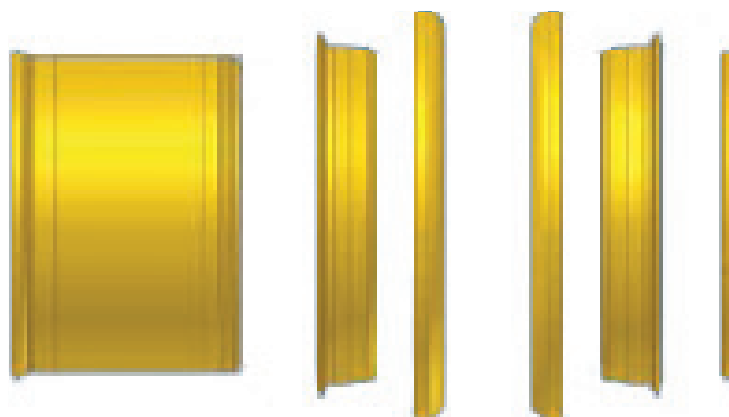
Field reports show a positive reaction by customers using the OTR QCR System on off-highway trucks. Customers using the OTR QCR System have reported significant

improvements in productivity by decreasing haul truck downtime for tyre servicing, while improving safety for the tyre service personnel. The difference between the standard rims and the OTR QCR System is significant on a mine site operation. In as little as 12 months, a customer can measure improvements in uptime of the haul truck fleet.

Customer tests indicate that by using the OTR QCR System, tyre servicing times can improve by greater than 50 percent, combined with improved service personnel safety standards and reduced occurrence of fatigue and injuries associated with tyre service job functions.

The increased productivity that comes from the OTR QCR System in both man power and moving dirt will comfortably increase profit within the first twelve months and then contribute to additional revenue for the remainder of their service life. OTR wheels & rims also have greater wheel life, lower maintenance costs and improve safety. The long term benefits to your profit speak for themselves.

SIX PIECE DESIGN OF AN OVM/SVM





"I have a penchant for quality and reliability, OTR provide me both and as such, I have developed a close working relationship with the guys at OTR - Tyres Wheels Axles."

**BRENTON LAWLESS
WUNGHNU,
VICTORIA**

"I was lucky enough to speak with the team at OTR - Tyres Wheels Axles. They were very helpful and assisted me greatly with the loading of the piece. I traveled home safely and very happy with what was held for me. I just wanted to say a big thank you."

**PAUL JOHNSON
MUSWELLBROOK,
NEW SOUTH WALES**

"The performance was as I expected of the tyre and more. The next FWD tractor I buy will defiantly be outfitted by OTR - Tyres Wheels Axles tyres."

**DARREN KEEFFE
MOORA,
WESTERN AUSTRALIA**

"Brenton went above and beyond to help us out. Without his help and service, we would have lost a day or 2 in the field, costing us precious time and more importantly money."

**HARRY JACKMANN
LOXTON,
SOUTH AUSTRALIA**



MADE IN AUSTRALIA

INDUSTRIAL COMPONENTS

This catalogue is intended as a guide to cover the range of products supplied by OTR - Tyre Wheels Axles. Please contact our National Customer Service Centre 1300 CALL OTR for a current list price. All goods sold by OTR - Tyre Wheels Axles are covered by manufacturer's warranty.

Whilst all efforts have been made to publish this document with respect to accuracy supplied by manufacturers of products, OTR - Tyre Wheels Axles accepts no responsibility for claims resulting from information provided herein. All sales are covered by OTR - Tyre Wheels Axles Conditions of Sales and Credit Terms.

It is the responsibility of the purchaser to check all goods supplied by OTR - Tyre Wheels Axles at time of delivery. Errors in delivery must be reported to OTR - Tyre Wheels Axles Customer Service Department within 24 hours of receipt and any incorrect deliveries at the fault of OTR - Tyre Wheels Axles will be replaced by OTR - Tyre Wheels Axles without cost to the Dealer.

All goods returned outside these parameters shall be subject to a 10% surcharge and freight for returned goods shall be at the purchaser's cost. OTR - Tyre Wheels Axles return procedure must be followed otherwise goods will not be accepted.



BEAD SEAT BANDS, LOCK RING & SIDE RINGS

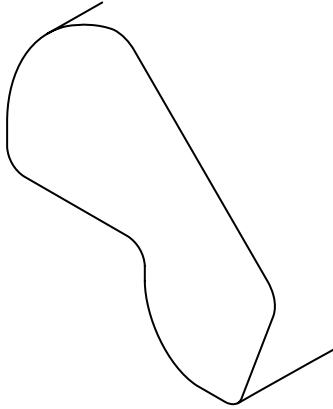
BEAD SEAT BANDS			
8"	33" x 5.5 EV / W	35" x 5.5 EM	51" x 7.5 OVM BSB
9"	33" x 5.5 EM / STG	35" x 5.5 EV / W	57" x 7.5 OVM BSB
12"	35" x 5.5 EM	39" x 5.5 EM	57" x 7.5 SVM / XT BSB
15"	35" x 5.5 EV / W	39" x 5.5 EV / W	57" x 10" XT BSB (65/65 x 57 Tyre)
20" x 10 4 Piece SW	39" x 5.5 EM	45" x 5.5 EM	63" OVM BSB & 63" SVM BSB
24" x 10 4 Piece SW	39" x 5.5 EV / W	49" x 5.5 EV / W	63" x 7.5 DLR
25" x 4 HTN/STG No Notch	45" x 5.5 EM	51" x 7.5 EHD	63" x 7.5 ILR
25" x 4 STN With Notch	49" x 5.5 EV / W	51" x 7.5 EHDM (Advance)	
25" x 4 HSLA	29" x 5.5 HTN No Notch	57" x 7.5 EHDM (Advance)	
25" x 5.5 HTN No Notch	33" x 4.0 EM / STG	57" x 7.5 DLR	
29" x 5.5 HTN No Notch	33" x 5.5 EV / W	57" x 7.5 ILR	
33" x 4.0 EM / STG	33" x 5.5 EM / STG	51" x 7.5 XT BSB	

LOCK RINGS			
LR 8"	LR 25T	LR 29" (EM)	LR 57" PHASE 2
LR 9"	LR 25" (STN)	LR 33" (EV / W / EM)	LR 57" 2 Piece with Keeper Plate
LR 10"	LR 29" (EM)	LR 35" (EV / W)	57" ULX
LR 12"	LR 33" (EV / W / EM)	LR 35" (EM)	LR 57" OVM
Spring Flange 15"	LR 35" (EV / W)	LR 39" (EM)	LR 63" SVM & LR 63" OVM
LR 15"	LR 35" (EM)	LR 45" (EM)	63" HD (EU) Hinged
Spring Flange 16"	LR 39" (EM)	LR 49" (W / EV)	63" ULX
Spring Flange 20"	LR 45" (EM)	LR 51" HD	
LR 24"	Spring Flange 24"	LR 51" 2 Piece with Keeper Plate	
LR24" SW	LR 25" (HTN)	LR 51" OVM	
Spring Flange 24"	LR 25T	LR 57" HD	
LR 25" (HTN)	LR 25" (STN)	57" HD (EU) Hinged	

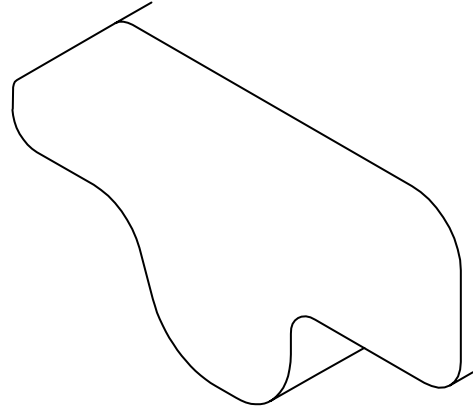
SIDE RINGS			
SR24/8 VA TGD	SR 25"/ 2.5	SR 35"/ 3.5	SR 57"/ 5.0
SR 24/10.00 VA TGD	SR 25"/ 3.0	SR 35"/ 4.0	SR 57"/ 6.0
SR 24/10.00 SW	SR 25"/ 3.5	SR 39"/ 4.0	SR 57"/ 6.0 HDFM (Made by OTR)
SR 24"/ 2.0 WI	SR 29"/ 3.0	SR 45"/ 4.5	SR 63"/ 5.0
SR 25"/ 1.3 3 Piece	SR 29"/ 3.5	SR 49"/ 3.5	
SR 25"/ 1.5 3 Piece	SR 33"/ 2.5	SR 49"/ 4.0	
SR25"/ 1.5 5 Piece (HSLA)	SR 33"/ 3.5	SR 51"/ 4.5	
SR 25"/ 1.7 CR 3 Piece	SR 33"/ 4.0	SR 51"/ 4.5 (Manufactured by OTRA)	
SR 25"/ 1.7 3 Piece	SR 33"/ 4.5	SR 51"/ 5.0	
SR 25"/ 2.0	SR 35"/ 3.0	SR 51"/ 5.0 HDFM (Made by OTR)	

LOCK RING PROFILES

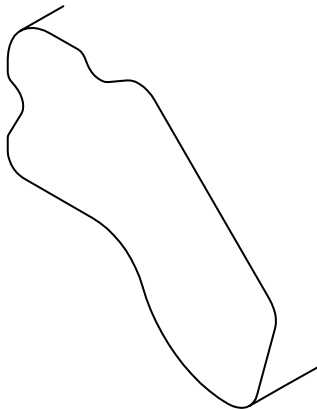
EM GS LOCK RING



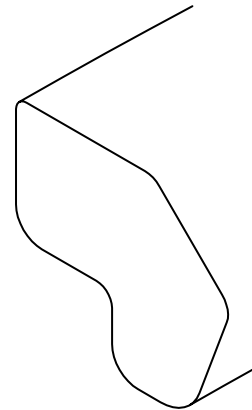
EU GS LOCK RING



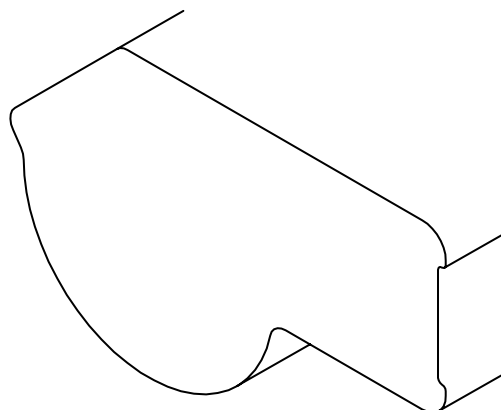
EV GS LOCK RING



GR GS LOCK RING

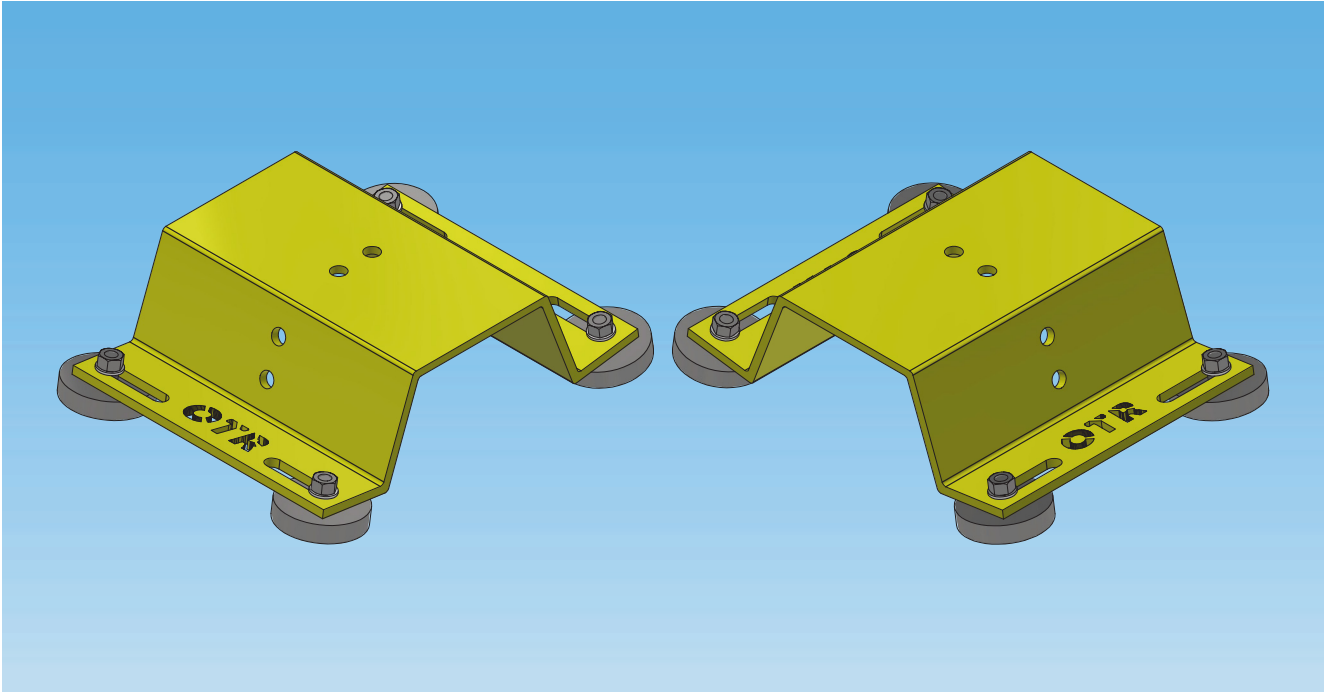


ULX GS LOCK RING

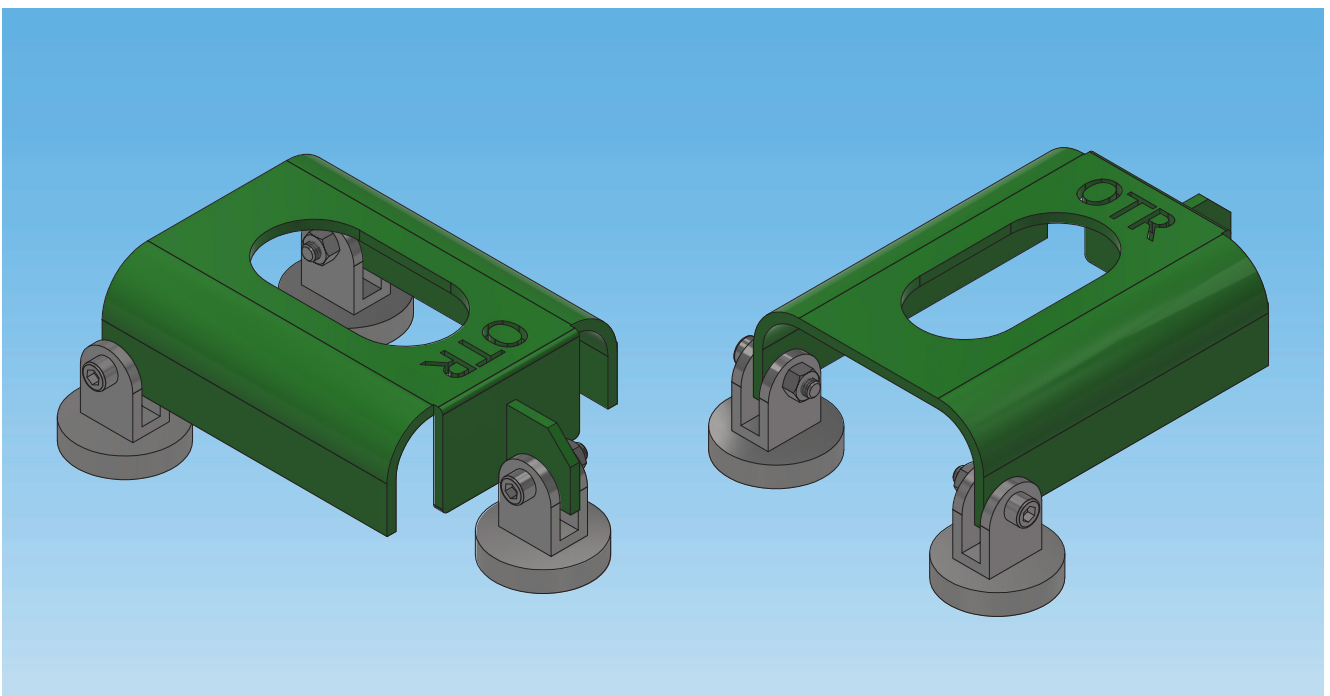


MAGNETIC VALVE GUARDS

MAGNETIC VALVE GUARD WITH OTR BRANDING - 900-090-002



MAGNETIC VALVE GUARD ASSEMBLY (AG) WITH OTR BRANDING - 900-090-006

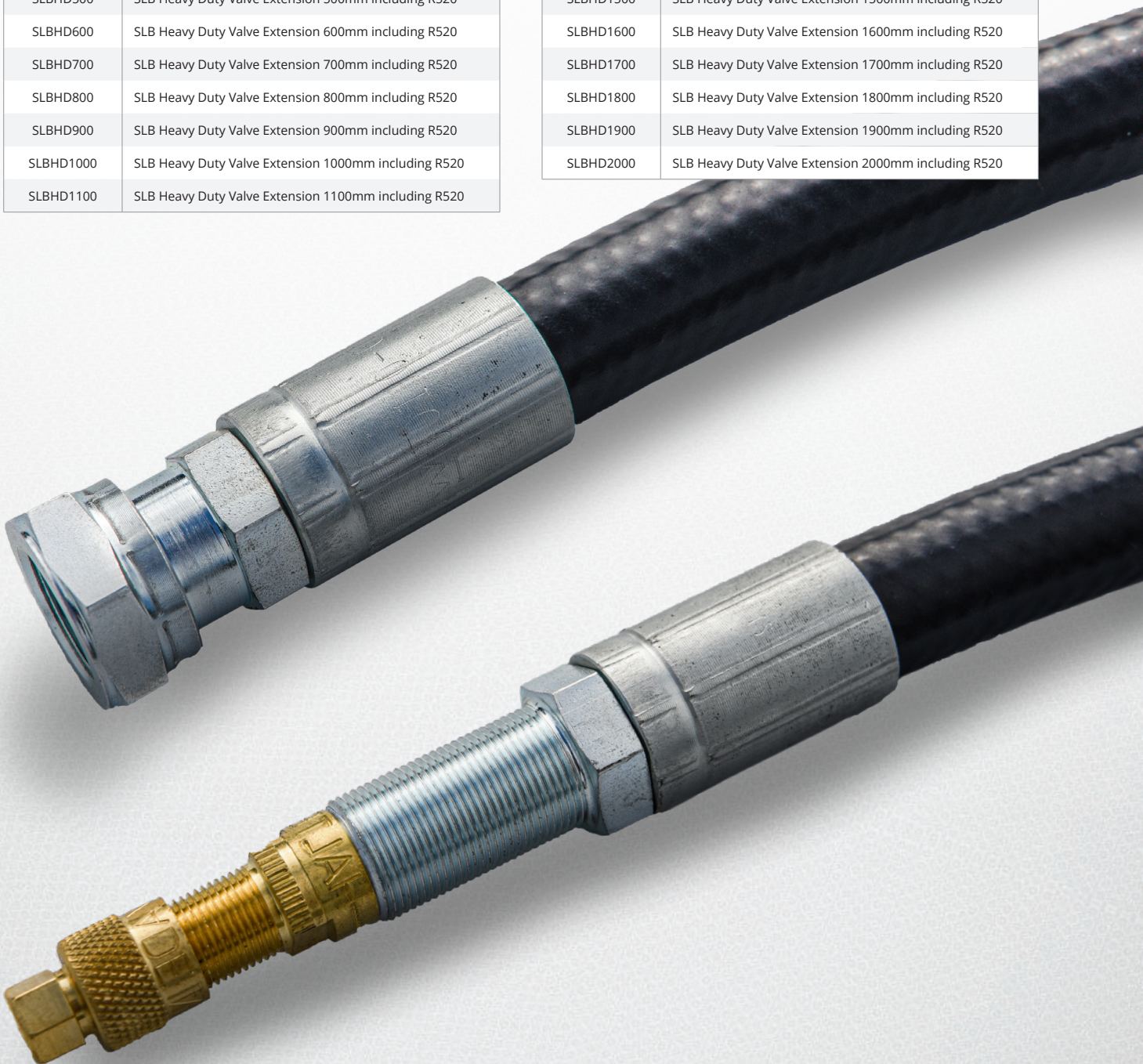


SLB HD VALVE EXTENSIONS

Heavy duty valve extensions to last the test of time. With the option to pre-fabricate to any length to suit large dump truck tyre valves & the ability to be unaffected by rock damage & last the lifetime of an EM rim, these valve extensions with developed hydraulic style crimp fitting to withstand pressure up to 2500PSI should be your first choice.

SIZE	DESCRIPTION
SLBHD200	SLB Heavy Duty Valve Extension 200mm including R520
SLBHD300	SLB Heavy Duty Valve Extension 300mm including R520
SLBHD400	SLB Heavy Duty Valve Extension 400mm including R520
SLBHD500	SLB Heavy Duty Valve Extension 500mm including R520
SLBHD600	SLB Heavy Duty Valve Extension 600mm including R520
SLBHD700	SLB Heavy Duty Valve Extension 700mm including R520
SLBHD800	SLB Heavy Duty Valve Extension 800mm including R520
SLBHD900	SLB Heavy Duty Valve Extension 900mm including R520
SLBHD1000	SLB Heavy Duty Valve Extension 1000mm including R520
SLBHD1100	SLB Heavy Duty Valve Extension 1100mm including R520

SIZE	DESCRIPTION
SLBHD1200	SLB Heavy Duty Valve Extension 1200mm including R520
SLBHD1300	SLB Heavy Duty Valve Extension 1300mm including R520
SLBHD1400	SLB Heavy Duty Valve Extension 1400mm including R520
SLBHD1500	SLB Heavy Duty Valve Extension 1500mm including R520
SLBHD1600	SLB Heavy Duty Valve Extension 1600mm including R520
SLBHD1700	SLB Heavy Duty Valve Extension 1700mm including R520
SLBHD1800	SLB Heavy Duty Valve Extension 1800mm including R520
SLBHD1900	SLB Heavy Duty Valve Extension 1900mm including R520
SLBHD2000	SLB Heavy Duty Valve Extension 2000mm including R520

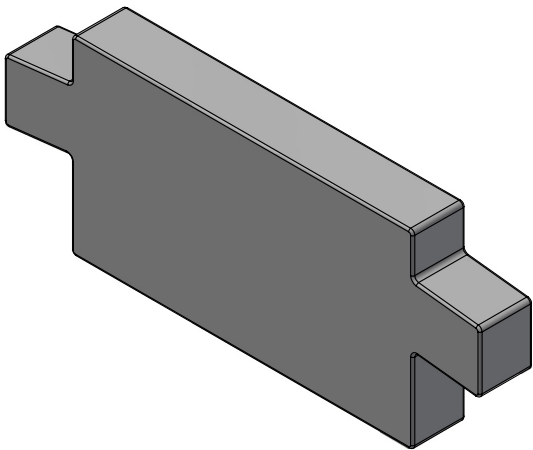




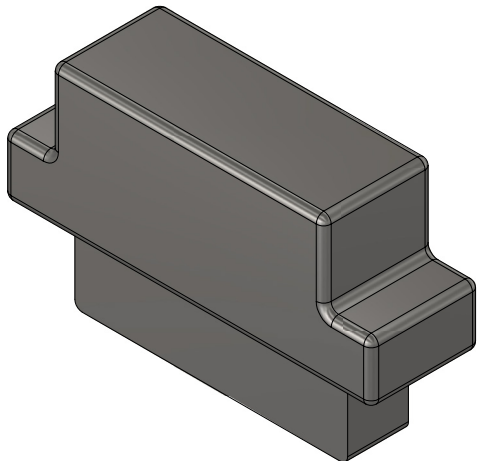
DRIVER KEYS

PART NUMBER	DESCRIPTION
800.990.046	DR1778 / DP1778
800.990.063	DR017 (25" HTN - Straight Type, UK)
800.990.071	DR31C (25" HTN - Straight Type, USA)
800.990.072	DR31E
800.990.069	DR1954 (Cat 994 Type)
800.990.074	DR48B (Cat 992 Tiger)
800.990.076	FK1 Flat (25")
800.990.077	FK7 (25" HTN Curved Type)
800.990.081	25' Wagner Key

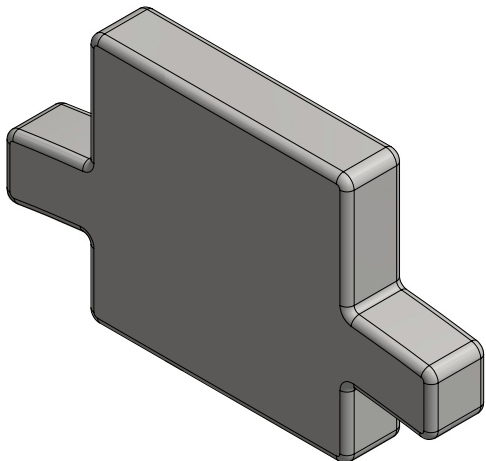
800-990-069



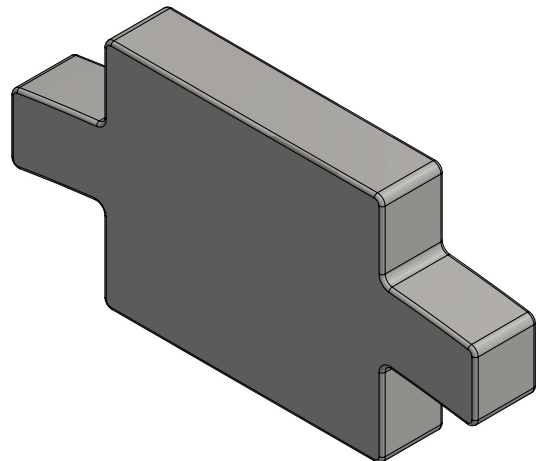
800-990-072



800-990-076



800-990-077



OTR ACCESSORIES

KOMATSU 830E-AC (OBELIX)

OTR designed and engineered a solution to the minimum dual spacing (MDS) issue on the Komatsu 830E-AC Haul truck to allow the fitment of the Michelin 50/80R57 XDR250.

This was brought about by the discovery in late 2015 that the MDS kit provided by Komatsu failed to meet minimum requirements of Michelin.

This solution was designed, engineered manufactured and delivered in less than 6 months and in 9 months 180 wheel assemblies had been delivered, allowing RTIO to rapidly deploy these tyres.

This has given RTIO the option to minimise the purchase of replacement rims, thus helping to minimise surplus inventory on site.

KOMATSU 830E & TEREX MT 4400 HD BACK SECTION

Design change implemented to address the premature failure of back sections on haul truck rims from component indexing.

Heavy Duty designed back section contact point after 12,000 hours of service at West Angelas was one of the hardest sites on back sections and the failure rate of the OEM rims was extremely high.

Long term result has seen a large reduction in required back section replacements over the OEM rims.

KOMATSU 930E-4 AT VERTICAL MOUNT

Design for fitment to positions 1, 2, 4 & 5 to complement the double gutter wheels on positions 3 & 6, allowing all tyres on the truck to be pre-fitted with dual bead seat bands for the life of the tyres.

This helped eliminate the need for any vertical bead breaking in the truck.

The rims and components supplied by OTR are 100% compatible with

KOMATSU 930E-4 AT DOUBLE GUTTER

Designed for fitment to positions 3 & 6, allowing all rear tyre positions to be changed without the need to remove wheels.

The rims and components supplied by OTR are 100% compatible with OEM equipment.

HEAVY DUTY 45" WHEELS

Designed to address the high failure rate of the 45" back section of wheel loader wheels from various PMO sites. This heavy duty back section has now become standard on all new wheels and all repairs requiring back section replacement.

Since the implementation there has been a large reduction in back sections requiring replacement.

VERTICAL MOUNT KOMATSU WA1200 WHEEL

Developed to assist in tyre changes on Komatsu WA1200 loaders running Michelin X-Mine D2 tyres which are restricted to having beads seated in horizontal position to reduce the possibility of 'hung beads'.

COMPONENT IDENTIFICATION GAUGE

OTR has designed and supplied a range of gauges to assist sites. Below are a list of some examples:

- Rim length go/no-go gauges for Komatsu 730 & 830 haul trucks.
- Rim inside diameter go/no-go gauges.
- Lock ring groove profile gauges.
- Lock ring/bead seat band angle gauges.
- Lock ring groove wear gauges for accurately assessing lock ring groove wear on radius's profiles (internal use only).
- Component compatibility gauges.

CLEAT JACKING BOLTS (INC NEW HITACHI EH5000)

Designed for removal of cleats from rear wheel ends on electric drive trucks these are specifically designed for each individual application.

Manufactured from grade 4340 HSLA material and Zinc plated for corrosion resistance.

AUSTRALIAN MANUFACTURED LETOURNEAU L2350 WHEEL

This is manufactured domestically, delivering a cost saving of 20% compared with the OEM wheel manufactured in the US.

It also allows additional manufacturing control for OTR to make minor design enhancements like the removal of troublesome valve protectors.

STEEL TRANSPORT FRAMES FOR WHEELS & COMPONENTS

Designed to safely transport large OTR wheels and quantities of components to and from site, they are double stackable to reduce freight costs.

Over 500 transport frames are currently in service.

LOCK RING RETAINING & SPREADER TOOL

Designed to improve the removal and re-fitment of the lock ring of inner positions on double gutter.

This is designed to increase safety and reduce fatigue for tyre fitters.

Available for use on 51" to 63" wheels.

COMPONENT FITTING STANDS

Designed to assist tyre fitters in the pre-fitment of components and/or tyres prior to bringing equipment out of production for tyre maintenance events.

This provides a significant benefit to production in minimising down time.



OTR

MADE IN AUSTRALIA

WHEELS BY APPLICATION

This catalogue is intended as a guide to cover the range of products supplied by OTR - Tyre Wheels Axles. Please contact our National Customer Service Centre 1300 CALL OTR for a current list price. All goods sold by OTR - Tyre Wheels Axles are covered by manufacturer's warranty.

Whilst all efforts have been made to publish this document with respect to accuracy supplied by manufacturers of products, OTR - Tyre Wheels Axles accepts no responsibility for claims resulting from information provided herein. All sales are covered by OTR - Tyre Wheels Axles Conditions of Sales and Credit Terms.

It is the responsibility of the purchaser to check all goods supplied by OTR - Tyre Wheels Axles at time of delivery. Errors in delivery must be reported to OTR - Tyre Wheels Axles Customer Service Department within 24 hours of receipt and any incorrect deliveries at the fault of OTR - Tyre Wheels Axles will be replaced by OTR - Tyre Wheels Axles without cost to the Dealer.

All goods returned outside these parameters shall be subject to a 10% surcharge and freight for returned goods shall be at the purchaser's cost. OTR - Tyre Wheels Axles return procedure must be followed otherwise goods will not be accepted.



LOADER WHEELS

PART NUMBER	WHEEL	MAKE & MODEL	TYRE SIZE
525-991-558	WHEEL 25-14.00 3PC 12/425	CASE 521E	17.5R25
525.142.010	WHEEL 25-13.00 1PC 12/425	CASE 521F	15.5R25
525-991-420	WHEEL 25-14.00 3PC 12/422	CASE 621B	17.5R25
525-991-728	WHEEL 25-17.00 3PC 12/422	CASE 621E	20.5R25
525-991-522	WHEEL 25-17.00 3PC 12/425	CASE 721E	20.5R25
525-991-820	WHEEL 25-17.00 3PC 12/425	CASE 721F	20.5R25
525-991-935	WHEEL 25-17.00 3PC 12/425	CASE 721F SPECIAL	20.5R25
525-991-714	WHEEL 25-17.00 3PC 16/422	CASE 821C 370420A1	20.5R25
525-991-326	WHEEL 25-19.50 5PC 16/422	CASE 821C 370420A1	23.5R25
525-991-923	WHEEL 25-14.00 3PC 10/335	CASE 865 LOADER	17.5R25
525-991-802	WHEEL 25-19.50 5PC 20/425	CASE 921F	23.5R25
520.438.010	WHEEL 20-7.00 2PC 8/275	CAT 907H	10.00-20, 9.00-20
520-990-228	WHEEL 20-11W 1PC 10/335	CAT 908	360/70R20,
520.477.010	WHEEL 20-8.00 2PC 8/275	CAT 908H	10.00-20
525-991-786	WHEEL 24-10.00 3PC 8/457	CAT 910	14.00-24
525-991-652	WHEEL 25-12.00 3PC 8/457	CAT 910	15.5R25
525-991-147	WHEEL 25-14.00 3PC 8/200	CAT 914G	17.5R25
525-991-539	WHEEL 25-14.00 3PC 16/250	CAT 918F	17.5R25
525-991-316	WHEEL 25-12.00 3PC 8/457	CAT 920	15.5R25
524-991-157	WHEEL 24-10.00 3PC 8/457	CAT 920/G	14.00-24
525-991-589	WHEEL 25-14.00 3PC 16/250	CAT 924G/H	17.5R25
525-991-188	WHEEL 25-17.00 3PC 16/250	CAT 924GZ, CAT 928/930F/G/H	20.5R25
525-991-846	WHEEL 25-17.00 5PC 16/250	CAT 924H	20.5R25
525-991-878	WHEEL 25-17.00 3PC 16/250	CAT 924K (F+247MM)	20.5R25
525-991-525	WHEEL 25-14.00 3PC 10/458	CAT 926/926E	17.5R25
525-991-302	WHEEL 25-17.00 3PC 16/250	CAT 928/930F/G/H, IT28/B	20.5R25
525-991-489	WHEEL 25-14.00 3PC 16/250	CAT 928F	17.5R25
525-991-502	WHEEL 25-14.00 3PC 10/501	CAT 930	17.5R25
525-991-619	WHEEL 25-14.00 3PC 16/250	CAT 930G/H	17.5R25
525-991-863	WHEEL 25-17.00 3PC 16/250	CAT 930K (F+210MM)	20.5R25
525-991-642	WHEEL 25-17.00 3PC 12/515	CAT 936	20.5R25
525-991-729	WHEEL 25-14.00 3PC 10/458	CAT 936E	17.5R25
525-991-190	WHEEL 25-17.00 3PC 16/275	CAT 938F/G-IT38/G	20.5R25
525-991-783	WHEEL 25-17.00 5PC 16/275	CAT 938G / IT38G	20.5R25
525-991-723	WHEEL 25-17.00 3PC 16/285	CAT 938H / CAT IT38H	20.5R25
525-991-753	WHEEL 25-17.00 3PC 16/425	CAT 938K	20.5R25
525-991-614	WHEEL 25-14.00 3PC 12/513	CAT 950	17.5R25
525-991-596	WHEEL 25-17.00 3PC 16/515	CAT 950B	20.5R25
525-991-506	WHEEL 25-19.50 5PC 16/515	CAT 950B/E	23.5R25

PART NUMBER	WHEEL	MAKE & MODEL	TYRE SIZE
525-991-421	WHEEL 25-19.50 5PC 20/310	CAT 950G/H/M / 952/962H/IT62G/H	23.5R25
525-991-827	WHEEL 25-22.00 5PC 20-310	CAT 950M LOADER	26.5R25
525-991-797	WHEEL 25-19.50 5PC 20/310	CAT 962K	23.5R25
525-991-551	WHEEL 25-19.50 5PC 20/375	CAT 966D/E/F	23.5R25
525-991-377	WHEEL 25-19.50 5PC 20/515	CAT 966D/E/F	23.5R25
525-991-391	WHEEL 25-22.00 5PC 20/515	CAT 966D/E/F	26.5R25
525-991-415	WHEEL 25-22.00 5PC 20/375	CAT 966G/H/M/ 972G/H/M	26.5R25
525-991-369	WHEEL 25-22.00 5PC 23/482	CAT 980B/C/F	26.5R25
525-991-673	WHEEL 25-25.00 5PC 23/482	CAT 980B/C/F	29.5R25
525-991-251	WHEEL 25-22.00 5PC 23/482	CAT 980C	26.5R25
525-991-307	WHEEL 25-25.00 5PC 26/485	CAT 980G/H/K/L/M 824H	29.5R25
529-991-296	WHEEL 29-25.00 5PC 32/582	CAT 982M	29.5R29, 775/65R29
529-991-295	WHEEL 29-27.00 5PC 32/582	CAT 982M	875/65R29
533-991-296	WHEEL 33-28.00 5PC 40/705	CAT 988B/C/F CAT834B	35/65R33
533-991-301	WHEEL 33-28.00 5PC 38/692	CAT 988G/H/K	35/65R33
533-991-337	WHEEL 33-28.00 5PC 38/692	CAT 988G/H/K	35/65R33
539-991-299	WHEEL 39-36.00 N5P	CAT 990	45/65R39
539-091-001	WHEEL 39-32.00 5PC 48/826	CAT 990/990H/844/844H	45/65R39, 40/65-39
545-991-296	WHEEL 45-36.00 5PC	CAT 992 B/C/D/F	45/65R45
545-991-303	WHEEL 45-36.00 5PC	CAT 992G/H/K XHD	45/65R45
500-990-768	WHEEL 45-36.00 5PC	CAT 992G/H/K, CAT 854 G/H/K	45/65R45
551-051-001	WHEEL 51-40.00 5PC	CAT 993K	50/65R51
551-071-001	WHEEL 51-40.00 6PC	CAT 993K VMW	50/65R51
557-051-002	WHEEL 57-36.00 5PC 61/1230	CAT 994/994H	50/80-57
557-051-007	WHEEL 57-44.00 5PC 61/1230	CAT 994/994H	55/80R57
557-051-003	WHEEL 57-47.00 5PC 61/1230	CAT 994/994H	60/80R57
557-051-006	WHEEL 57-47.00 5PC 60/1230	CAT 994K	60/80R57
525-991-843	WHEEL 25-12.00 3PC 10/200	CAT IT12B	15.5R25
525-991-148	WHEEL 25-14.00 3PC 8/200	CAT IT14G	17.5R25
525-991-546	WHEEL 25-14.00 3PC 10/458	CAT IT18/B	17.5R25
525-991-545	WHEEL 25-14.00 3PC 16/250	CAT IT24	17.5R25
525-991-149	WHEEL 25-14.00 3PC 10/458	CAT IT28/B	17.5R25
525-991-509	WHEEL 25-14.00 3PC 10/458	CAT IT28B	17.5R25
525-991-283	WHEEL 25-14.00 3PC 16/250	CAT IT28F/G	17.5R25
524.525.010	WHEEL 24-14W 1PC 8/275 VG	CAT TH406 / TH407	15.5/80-24
525-991-800	WHEEL 25-17.00 3PC 12/425	DOOSAN DL250, MEGA250-V	20.5R25
525.159.010	WHEEL 25-19.50 3PC 16/425	DOOSAN DL300 LOADER	23.5R25
525-991-934	WHEEL 25-22.00 3PC 20/425	DOOSAN DL450 LOADER	26.5R25
525.119.010	WHEEL 25-17.00 3PC 14/304.8	HITACHI 624K	20.5R25

LOADER WHEELS

PART NUMBER	WHEEL	MAKE & MODEL	TYRE SIZE
525-991-157	WHEEL 25-17.00 3PC 14/305	HITACHI LX120	20.5R25
525-991-254	WHEEL 25-22.00 5PC 14/304.8	HITACHI LX230-3	26.5R25
525.144.010	WHEEL 25-13.00 1PC 12/210	HITACHI ZW120	15.5R25
525-991-807	WHEEL 25-14.00 3PC 12/210	HITACHI ZW120	17.5R25
525-991-771	WHEEL 25-17.00 3PC 12/210	HITACHI ZW120	20.5R25
525-991-900	WHEEL 25-17.00 3PC 13/230	HITACHI ZW140-5B	20.5R25
525-991-665	WHEEL 25-17.00 3PC 15/252	HITACHI ZW150 / KAW 70Z7	20.5R25
525-991-901	WHEEL 25-17.00 3PC 15/254	HITACHI ZW180-5B	20.5R25
525-991-866	WHEEL 25-19.50 5PC 18/335	HITACHI ZW220-5B	23.5R25
525-991-819	WHEEL 25-22.00 5PC 20/370	HITACHI ZW250-5	26.5R25
525-991-902	WHEEL 25-19.50 3PC 20/370	HITACHI ZW250-5B	23.5R25
525-991-844	WHEEL 25-19.50 5PC 20/370	HITACHI ZW250-5B	23.5R25
525-991-566	WHEEL 25-22.00 5PC 20/370	HITACHI ZW310	26.5R25
525-991-903	WHEEL 25-22.00 3PC 20/370	HITACHI ZW330-5B	26.5R25
533-991-338	WHEEL 33-28.00 5PC 32/580	HITACHI ZW550-5B # 4342460360	35/65R33
525-991-495	WHEEL 25-14.00 3PC 10/335	HYUNDAI HL730-7	17.5R25
525-991-480	WHEEL 25-17.00 3PC 12/425	HYUNDAI HL740-7 & HL757TM-7A	20.5R25
525-991-799	WHEEL 25-17.00 3PC 12/425	HYUNDAI HL757-7 & 9	20.5R25
525-991-475	WHEEL 25-19.50 5PC 16/501	HYUNDAI HL760-7/7A	23.5R25
525-991-839	WHEEL 25-19.50 5PC 16/425	HYUNDAI HL760-9	23.5R25
525-991-310	WHEEL 25-22.00 5PC 19/500	HYUNDAI HL770-7	26.5R25
525-991-750	WHEEL 25-22.00 5PC 20/425	HYUNDAI HL770-9	26.5R25
525-991-734	WHEEL 25-25.00 5PC 20/425	HYUNDAI HL770-9	29.5R25
525-991-725	WHEEL 25-25.00 5PC 19/500	HYUNDAI HL780-7A	29.5R25
525-991-860	WHEEL 25-25.00 5PC 23/500	HYUNDAI HL780-9	29.5R25
525-991-788	WHEEL 25-19.50 5PC 12/475	HYUNDAI LOADER	23.5R25
525-991-487	WHEEL 25-14.00 3PC 12/425	JCB 416HT	17.5R25
525-991-841	WHEEL 25-17.00 3PC 12/425	JCB 426/JCB 437	20.5R25
525-991-483	WHEEL 25-14.00 3PC 5/335	JCB 531/70	17.5R25
524.620.010	WHEEL 24-8.50 3PC 5/335	JCB 550-140 TELEHANDLER	12.00-24
525-991-798	WHEEL 25-19.50 5PC 12/482	JCB 714	23.5R25
525-991-577	WHEEL 25-14.00 3PC 12/480	JCB 714 TOOL CARR	17.5R25
525-991-761	WHEEL 25-19.50 5PC 16/500	JCB 718 ATD	23.5R25
528-991-016	WHEEL 28-15W 1PC 8/203	JD 310DG	16.9-28
528-990-340	WHEEL 28-15W 1PC 8/203	JD 315SE/SG	16.9-28
528-991-014	WHEEL 28-15W 1PC 10/335	JD 315SJ	16.9-28
525-991-748	WHEEL 25-14.00 3PC 12/425 VG	JD 444K	17.5R25
525-991-879	WHEEL 25-17.00 3PC 14/304.VG	JD 524L	20.5R25
525-991-437	WHEEL 25-17.00 3PC 14/304	JD 544J/K	20.5R25

PART NUMBER	WHEEL	MAKE & MODEL	TYRE SIZE
525-991-876	WHEEL 25-17.00 3PC 14/304	JD 624L / 624 K	20.5R25
525-991-555	WHEEL 25-19.50 5PC 14/304	JD 644J/K	23.5R25
525-991-666	WHEEL 25-19.50 3PC 14/304	JD 644K	23.5R25
525-991-574	WHEEL 25-12.00 3PC 14/304	JD 646B	15.5R25
525-991-787	WHEEL 25-22.00 5PC 14/304	JOHN DEERE 744K/824K/824L	26.5R25
525-991-632	WHEEL 25-22.00 5PC 16/480	KAWASAKI 85ZV-2 / 90ZV	26.5R25
525-991-572	WHEEL 25-19.50 5PC 16/480	KAWASAKI 90ZIV	23.5R25
525-991-650	WHEEL 25-25.00 5PC 22/510	KAWASAKI 95/97 ZV, ZW370-5B	29.5R25
525-991-503	WHEEL 25-17.00 3PC 12/245	KOM WA250PT-5H / WA200PZ-6 / WA250PZ-6	20.5R25
525-991-533	WHEEL 25-25.00 5PC 27/481	KOM WA500-6, WA500-7, WA500-8	29.5R25
557-052-010	WHEEL 57-47.00 5PC 61/1230	KOMATSU WA1200	60/80R57
557-052-013	WHEEL 57-52.00 5PC 61/1230	KOMATSU WA1200	65/65-57
563-062-003	WHEEL 63-47.00 5PC HDS	KOMATSU WA1200	58/80R63
557-071-002	WHEEL 57-47.00 6PC 61/1230 VM	KOMATSU WA1200 VERT. MOUNT	60/80R57
525-991-123	WHEEL 25-12.00 3PC 12/210	KOMATSU WA120-1/3	15.5R25
525-991-668	WHEEL 25-14.00 3PC 12/210	KOMATSU WA180-3	17.5R25
525-991-620	WHEEL 25-14.00 3PC 12/245	KOMATSU WA200-5	17.5R25
525-991-790	WHEEL 25-17.00 3PC 12/425	KOMATSU WA270-3	20.5R25
525-991-470	WHEEL 25-17.00 3PC 15/254	KOMATSU WA320-5/8/PZ-6	20.5R25
525-991-329	WHEEL 25-17.00 3PC 18/320	KOMATSU WA350-1E	20.5R25
525-991-381	WHEEL 25-19.50 5PC 18/320	KOMATSU WA380-3/5H, WA380-6, WA380-8	23.5R25
525-991-532	WHEEL 25-19.50 5PC 25/494	KOMATSU WA400-1	23.5R25
525-991-524	WHEEL 25-19.50 5PC 21/355	KOMATSU WA430-6	23.5R25
525-991-875	WHEEL 25-22.00 5PC 21/355	KOMATSU WA430-6	26.5R25
525-991-345	WHEEL 25-22.00 5PC 25/493	KOMATSU WA470	26.5R25
525-991-300	WHEEL 25-22.00 5PC 24/405	KOMATSU WA470-5/6/7, WA480 1-6	26.5R25
525-991-702	WHEEL 25-22.00 5PC 24/405	KOMATSU WA470-6H (EURO MODEL)	26.5R25
525-991-695	WHEEL 25-22.00 5PC 31/490	KOMATSU WA500-3	26.5R25
525-991-266	WHEEL 25-25.00 5PC 31/490	KOMATSU WA500-3	29.5R25
533-991-293	WHEEL 33-28.00 5PC 31/550	KOMATSU WA600 / 600-3	35/65R33
533-991-308	WHEEL 33-28.00 5PC 38/660	KOMATSU WA600-6 / WA600-8	35/65R33
518-990-226	WHEEL 18-11W 1PC 8/275	KOMATSU WA65-5	12.5/80-18, 13/65-18
545-991-308	WHEEL 45-36.00 5PC 53/908 ES	KOMATSU WA800/900 ES CMPNTS	45/65R45
545-991-304	WHEEL 45-36.00 5PC 53/908	KOMATSU WA900 XHD	45/65R45
518-990-230	WHEEL 18-11W 1PC 8/275	KOMATSU WB97R-5	12.5/80-18, 13/65-18
524-991-181	WHEEL 24-15W 1PC 10/335	KOMATSU WB97R-5	16.9-24,
528-991-012	WHEEL 28-15W 1PC 10/335	KOMATSU WB97R-5 /WB97S-5	16.9-28
557-052-012	WHEEL 57-47.00 5PC	KOMATSU WE1850 (LETOURNEAU L1850)	60/80R57
557-051-004	WHEEL 57-60.00 5PC	KOMATSU WE2350 (LETOURNEAU L2350)	70/70-57

LOADER WHEELS

PART NUMBER	WHEEL	MAKE & MODEL	TYRE SIZE
563-062-001	WHEEL 63-44.00 5PC	KOMATSU WE2350 (LETOURNEAU L2350)	58/80R63
551-051-002	WHEEL 51-40.00 5PC	LETOURNEAU L1400	50/65R51
557-052-011	WHEEL 57-47.00 5PC	LETOURNEAU L1800	60/80R57
545-991-302	WHEEL 45-36.00 5PC	LETOURNEAU L-950	45/65R45
525-991-937	WHEEL 25-17.00 3PC 10/335	LIEBHERR L524	20.5R25
525-991-899	WHEEL 25-17.00 3PC 12/425	LIEBHERR L538	20.5R25
525-991-803	WHEEL 25-19.50 3PC 16/425	LIEBHERR L556	23.5R25
525-991-877	WHEEL 25-22.00 5PC 20/425	LIEBHERR L576	26.5R25
525-991-834	WHEEL 25-25.00 5PC 24/508	LIEBHERR L586	29.5R25
525-991-552	WHEEL 25-12.00 3PC 8/275	MANITOU	15.5R25
525-991-559	WHEEL 25-12.00 3PC 8/275	MANITOU	15.5R25
524-991-183	WHEEL 24-15W 1PC 8/275	MANITOU MANISCAPE MT 425-CP	16.9-24, 480/70R24, 440/65R24
525-991-601	WHEEL 25-12.00 3PC 8/275	MANITOU MLT-725 120 LOADER	15.5R25
516-990-096	WHEEL 16.5-8.25 1PC 5/139	MANITOU TMT320	10-16.5
525-991-291	WHEEL 25-19.50 5PC 18/425	VOLVO L110/L120C/D/E/F/H	23.5R25
525-991-730	WHEEL 25-19.50 3PC 18/425	VOLVO L110F	23.5R25
525-991-414	WHEEL 25-17.00 3PC 18/425	VOLVO L120 C/D/E/F/H	20.5R25
525-991-911	WHEEL 25-19.50 5PC 12/425	VOLVO L120B	23.5R25
525-991-938	WHEEL 25-19.50 3PC 18/425	VOLVO L120F	23.5R25
529-990-005	WHEEL 29-24.00 5PC 24/500	VOLVO L150E/F L180E/H	775/65R29
525-991-306	WHEEL 25-22.00 5PC 24/500	VOLVO L150E/F/G L180C/E/F/G	26.5R25
525-991-893	WHEEL 25-25.00 5PC 30/500	VOLVO L160/250/260 G/H	29.5R25
525-991-293	WHEEL 25-25.00 5PC 30/500	VOLVO L220E/F/G	29.5R25
549-041-002	WHEEL 49-19.50 5PC	LETOURNEAU L950	27.00R49
529-991-291	WHEEL 29-27.00 5PC 30/500	VOLVO L220G	875/65R29
525-991-898	WHEEL 25-25.00 5PC 30/500	VOLVO L260 G WITH SURLOC	29.5R25
533-991-318	WHEEL 33-28.00 5PC	VOLVO L350F	35/65R33
525.140.010	WHEEL 25-14.00 3PC 10/335	VOLVO L45F	17.5R25
525-991-404	WHEEL 25-12.00 3PC 8/250	VOLVO L50B/C	15.5R25
525.111.010	WHEEL 25-14.00 1PC 10/335	VOLVO L50D/F	17.5R25
525-991-833	WHEEL 25-14.00 3PC 10/335	VOLVO L60E	17.5R25
525-991-357	WHEEL 25-17.00 3PC 10/335	VOLVO L60E/F/H	20.5R25
525.146.010	WHEEL 25-14.00 3PC 12/425	VOLVO L70	17.5R25
525-991-710	WHEEL 25-17.00 3PC 10/335	VOLVO L70B/C/D	20.5R25
525-991-220	WHEEL 25-17.00 3PC 16/335	VOLVO L70E/F	20.5R25
525-991-682	WHEEL 25-17.00 5PC 16/335	VOLVO L70F	20.5R25
525-991-221	WHEEL 25-17.00 3PC 12/425	VOLVO L90B	20.5R25
525-991-222	WHEEL 25-17.00 3PC 12/425	VOLVO L90C/D	20.5R25
525-991-223	WHEEL 25-17.00 3PC 16/335	VOLVO L90E/F/H	20.5R25

DUMP TRUCK WHEELS

PART NUMBER	WHEEL	MAKE & MODEL	TYRE SIZE
357-080-006	RIM 57-34.00 5PC	3/4" NPT	40.00R57, 46/90R57
357-080-007	RIM 57-34.00 7PC DLR	3/4" NPT	40.00R57, 46/90R57
563-002-007	WHEEL 63-41.00 5 PC STMT	950556 T282-C LIEBHERR 4163 P 1 & 2	56/80R63
563-002-008	WHEEL 63-41.00 5PC STMT	950556 T282-C LIEBHERR 4163 P 4 & 5	56/80R63
563-002-006	WHEEL 63-41.00 7PC ACT	950595 T282-C LIEBHERR 4163 P 3 & 6	56/80R63
300-990-424	RIM 57-29.00 5PC	BELAZ	40.00R57, 46/90R57
300-990-427	RIM 51-24.00 5PC DEMOUNTABLE	BELAZ 130T Q345E	33.00R51
300-990-485	RIM 51-24.00 5PC DEMOUNTABLE	BELAZ 7513	33.00R51
535-991-279-CP	WHEEL 35-15.00 5PC	BELLY DUMPERS	21.00R33
533-991-290	WHEEL 33-13.00 5PC	CAT 769, 770, 771,772 B/C/D/G	18.00R33
533-991-340	WHEEL 33-15.00/3.0	CAT 772G	21.00R33
535-991-298	WHEEL 35-15.00 5PC	CAT 773A, B/C	21.00R35
TA01848	WHEEL 35-17.00 5PC	CAT 773B-G 775D-G	24.00R35
551-053-001	WHEEL 51-24.00 5PC	CAT 776 170T TRAILER INNER	33.00R51
551-082-001	WHEEL 51-24.00 7PC DLR	CAT 776 170T TRAILER OUTER	33.00R51
551-052-001	WHEEL 51-22.00 5PC	CAT 776/777F LONG HAUL	30.00R51
551-082-003	WHEEL 51-22.00 7PC DLR	CAT 776/777F LONG HAUL	30.00R51
551-012-001	WHEEL 51-22.00 6PC SVM	CAT 776/777F LONG HAUL	30.00R51
549-001-001	WHEEL 49-19.50 6PC OVM	CAT 777	27.00R49
549-082-001	WHEEL 49-19.50 7PC DLR	CAT 777	27.00R49
549-991-299	WHEEL 49-19.50 5PC	CAT 777 A - 145 OFFSET	27.00R49
549-991-298	WHEEL 49-19.50 5PC	CAT 777 B/C/D/E/F/G	27.00R49
549-991-305	WHEEL 49-17.00 5PC	CAT 777A	21.00R49
551-002-001	WHEEL 51-24.00 6PC OVM	CAT 785	33.00R51
551-082-002	WHEEL 51-24.00 7PC DLR	CAT 785	33.00R51
551-082-006	WHEEL 51-24.00 7PC DLR	CAT 785	33.00R51
551-052-003	WHEEL 51-26.00 5PC	CAT 785	36.00R51
551-052-002	WHEEL 51-24.00 5PC	CAT 785	33.00R51
551-052-004	WHEEL 51-26.00 5PC	CAT 785 ADAPTOR NAVE FITTED	36.00R51
551-052-006	WHEEL 51-26.00 5PC SPECIAL	CAT 785 ADAPTOR NAVE REVERSED	36.00R51
551-990-631	WHEEL 51-24.00 5PC	CAT 785C	33.00R51
557-052-001	WHEEL 57-29.00 5PC	CAT 789	37.00R57, 40.00R57
557-002-001	WHEEL 57-29.00 6PC OVM	CAT 789	37.00R57, 40.00R57
557-012-001	WHEEL 57-29.00 6PC SVM	CAT 789	37.00R57, 40.00R57
557-082-001	WHEEL 57-29.00 7PC DLR	CAT 789	37.00R57, 40.00R57
557-002-010	WHEEL 57-29.00 6PC OVM	CAT 793	40.00R57, 46/90R57
557-012-002	WHEEL 57-29.00 6PC SVM	CAT 793	40.00R57, 46/90R57
557-002-011	WHEEL 57-32.00 6PC OVM	CAT 793	40.00R57, 46/90R57, 50/80R57
557-082-007	WHEEL 57-29.00 7PC DLR	CAT 793 38MM NAVE	40.00R57, 46/90R57

DUMP TRUCK WHEELS

PART NUMBER	WHEEL	MAKE & MODEL	TYRE SIZE
557-052-008	WHEEL 57-32.00 5PC	CAT 793D	40.00R57, 46/90R57, 50/80R57
557-052-003	WHEEL 57-29.00 5PC	CAT 793D & CAT 793F	40.00R57, 46/90R57
557-082-003	WHEEL 57-29.00 6PC DLR	CAT 793D + SPECIAL VALVE GAURD	40.00R57, 46/90R57
557-002-006	WHEEL 57-29.00 6PC OVM	CAT 793D 38MM NAVE	40.00R57, 46/90R57
557-002-003	WHEEL 57-29.00 6PC OVM	CAT 793D 70MM NAVE	40.00R57, 46/90R57
557-002-004	WHEEL 57-32.00 6PC OVM	CAT 793D 70MM NAVE	40.00R57, 46/90R57
557-052-017	WHEEL 57-32.00 5PC	CAT 793F	40.00R57, 46/90R57, 50/80R57
557-052-014	WHEEL 57-32.00 5PC	CAT 793F	40.00R57, 46/90R57, 50/80R57
557-002-005	WHEEL 57-32.00 6PC OVM	CAT 793F	40.00R57, 46/90R57, 50/80R57
557-012-003	WHEEL 57-32.00 6PC SVM	CAT 793F	40.00R57, 46/90R57, 50/80R57
557-082-004	WHEEL 57-32.00 7 PC DLR	CAT 793F 38MM NAVE	40.00R57, 46/90R57, 50/80R57
557-012-003C	WHEEL 57-32.00 6PC SVM	CAT 793F 38MM NAVE C/W TAPERED CLIP	40.00R57, 46/90R57, 50/80R57
557-082-002	WHEEL 57-32.00 7PC DLR	CAT 793F 70MM	40.00R57, 46/90R57, 50/80R57
563-062-004	WHEEL 63-36.00 5PC	CAT 794 FRONT	53/80R63
563-062-005	WHEEL 63-36.00 5PC	CAT 794 INNER REAR	53/80R63
563-082-009	WHEEL 63-36.00 7PC DLR	CAT 794 OUTER REAR	53/80R63
563-002-002	WHEEL 63-41.00 6PC OVM	CAT 795	56/80R63
563-012-002	WHEEL 63-41.00 6PC SVM	CAT 795	56/80R63
563-012-006	WHEEL 63-41.00 5PC XT	CAT 795F EARLY	56/80R63
563-990-001	WHEEL 63-44.00 6PC OVM	CAT 797	59/80R63
563-990-002	WHEEL 63-44.00 6PC SVM	CAT 797	59/80R63
563-002-004	WHEEL 63-41.00 6PC OVM	CAT MT5300	56/80R63
300-990-275	RIM 25-10.00 5PC HSLA	DEMOUNTABLE + SURLOC	385/95R25
357-080-002	RIM 57-27.00 7PC DLR	DEMOUNTABLE ASSEMBLY	37.00R57, 42/90R57
357-080-001	RIM 57-29.00 7PC DLR	DEMOUNTABLE ASSEMBLY	40.00R57, 46/90R57
357-080-003	RIM 57-32.00 7PC DLR	DEMOUNTABLE ASSEMBLY	40.00R57, 46/90R57
557-991-318	RIM 57-29.00 7PC HSLA DLR	EH3500 EH4000	40.00R57, 46/90R57
563-082-006	WHEEL 63-36.00 7PC DLR	FROM STD 930E POS 3 & 6	53/80R63
533-991-319	WHEEL 33-15.00 5PC	HAULMAX 3900	21.00R33
535-991-279	WHEEL 35-15.00 5PC	HAULMAX 3900	21.00R33
357-050-012	RIM 57-29.00 5PC HSLA	HITACHI EH3500-4000 ACII	40.00R57, 46/90R57
357-050-013	RIM 57-29.00 5PC HSLA	HITACHI EH3500-4000 ACII	40.00R57, 46/90R57
357-080-005	RIM 57-29.00 7PC HSLA DLR	HITACHI EH3500-4000 ACII	40.00R57, 46/90R57
357-050-011	RIM 57-32.00 5PC HSLA	HITACHI EH3500-4000 ACII	40.00R57, 46/90R57
357-080-004	RIM 57-32.00 7PC HSLA DLR	HITACHI EH3500-4000 ACII	40.00R57, 46/90R57
357-080-008	RIM 57-29.00 7PC HSLA DLR	HITACHI EH3500-4000 ACII HINGED LR	40.00R57, 46/90R57
363-052-001	RIM 63-38.00 5PC HSW	HITACHI EH5000-III	53/80R63
363-082-001	RIM 63-38.00 7PC DLR HSW	HITACHI EH5000-III	53/80R63
300-990-483	WHEEL 57-29.00 5PC XHD	KAMAG HAULER	40.00R57, 46/90R57

PART NUMBER	WHEEL	MAKE & MODEL	TYRE SIZE
300-990-469	RIM 25-10.00 5PC HSLA	KENWORTH C540 DRIVE SUITS AXLETECH SPRC2197	385/95R25
557-991-319	RIM 57-29.00 7PC HSLA DLR	KOM 730 & 830E	37.00R57
557-052-019	WHEEL 57-29.00 5PC	KOM 730E-8AC	40.00R57
557-082-005	WHEEL 57-29.00 7PC DLR	KOM 730E-8AC	40.00R57
557-052-020	WHEEL 57-32.00 5PC	KOM 830E-5AC	40.00R57, 46/90R57, 50/80R57
557-082-006	WHEEL 57-32.00 7PC DLR	KOM 830E-5AC	40.00R57, 46/90R57, 50/80R57
300-990-378	RIM 33-13.00/2.5 5PC	KOMATSU 325-5/6 (566-81-13200)	18.00-33
551-990-632	RIM 51-26.00 5PC	KOMATSU 630E	36.00R51
300-990-393	RIM 57-27.00 5PC	KOMATSU 730E	37.00R57
300-990-364	RIM 57-27.00 5PC	KOMATSU 730E	37.00R57
300-990-316	RIM 49-19.50 5PC	KOMATSU 785/-5 W SURLOC BSB	27.00R49
549-001-002	WHEEL 49-19.50 6PC OVM	KOMATSU 785-7	27.00R49
300-990-488	RIM 57-29.00 7PC DLR	KOMATSU 830	40.00R57, 46/90R57
300-990-321-K	RIM 57-29.00 5PC	KOMATSU 830E	40.00R57, 46/90R57
563-062-002	WHEEL 63-36.00 5PC STD	KOMATSU 930E-4	53/80R63
563-082-004	WHEEL 63-36.00 6PC DLR LW	KOMATSU 930E-4	53/80R63
563-072-001	WHEEL 63-36.00 6PC ILR EUS	KOMATSU 930E-4	53/80R63
563-072-003	WHEEL 63-36.00 6PC ILR HDS	KOMATSU 930E-4	53/80R63
563-072-004	WHEEL 63-36.00 6PC ILR LW	KOMATSU 930E-4	53/80R63
563-082-001	WHEEL 63-36.00 7PC DLR EUS	KOMATSU 930E-4	53/80R63
563-082-003	WHEEL 63-36.00 7PC DLR HDS	KOMATSU 930E-4	53/80R63
300-990-465SL	RIM 51-24.00 5PC EUH WITH SUR-LOC	KOMATSU HD1500-7	33.00R51
300-990-660	RIM 51-24.00 7PC DLR	KOMATSU HD1500-7	33.00R51
551-052-011	WHEEL 51-24.00 5PC	KOMATSU HD1500-8	33.00R51
533-092-001	WHEEL 33-13.00 5PC	KOMATSU HD325-7/405-7	18.00R33
300-990-412	RIM 35-15.00/3.0 5PC	KOMATSU HD465/-3/-5/-6 / HD605	21.00R35
300-990-311	RIM 35-17.00/3.5 5PC	KOMATSU HD465-3/5/6 HD605	24.00R35
535-991-297	WHEEL 35-17.00 5PC	KOMATSU HD465-7 / HD605-7/8	24.00R35
549-991-302	WHEEL 49-19.50 5PC	KOMATSU HD785-7	27.00R49
TA03941	WHEEL 49-19.50 5PC	KOMATSU HD785-7 H/DUTY	27.00R49
551-056-004	WHEEL 51-24.00 5PC	KRESS	33.00R51
551-056-002	WHEEL 51-26.00 5PC	KRESS	36.00R51
551-056-003	WHEEL 51-26.00 5PC	KRESS	36.00R51
551-056-006	WHEEL 51-26.00 5PC 45/1123	KRESS 200	36.00R51
551-003-002	WHEEL 51-26.00 6PC OVM	KRESS CH220	36.00R51
TA07318	WHEEL 49-19.50 5PC	LIEBHERR	27.00R49
563-052-002	WHEEL 63-41.00/5.0 5PC	NHL NTE360A 6300021 INNER REAR	56/80R63
563-072-006	WHEEL 63-41.00/5.0 6PC VMS	NHL NTE360A 6300024 INNER REAR	56/80R63
563-052-001	WHEEL 63-44.00/5.0 5PC	NHL NTE360A 6300025 FRONT	59/80R63

DUMP TRUCK WHEELS

PART NUMBER	WHEEL	MAKE & MODEL	TYRE SIZE
563-072-005	WHEEL 63-44.00/5.0 6PC VMS	NHL NTE360A 6300026 FRONT	59/80R63
300-990-327	RIM 57-29.00 5PC XDR-250	OFFSE RIM KOM 830E (HINGED L/RING)	58/80R57
300-990-472	RIM 57-29.00 5PC XDR-250	OFFSET RIM BASE - KOM 830E/XDR250 FITTMENT	58/80R57
300-990-489	RIM 57-29.00 XDR-250 DG	OFFSET RIM KOM 830E XDR-250	40.00R57, 46/90R57
300-990-325	RIM 57-29.00 5PC XDR-250	OFFSET RIM, KOM 830E (SPREADER L/RING)	58/80R57
535-991-306	WHEEL 35-17.00 5PC 12/710	PERLINI DP705WD	24.00R35
351-082-001	RIM 51-26.00 7PC DLR	TEREX M3300	36.00R51
300-990-419	RIM 51-24.00 5PC	TEREX MT3300	33.00R51
351-052-001	RIM 51-26.00 5PC	TEREX MT3300	36.00R51
300-990-387	RIM 51-26.00 5PC	TEREX MT3300-SPECIAL	36.00R51
357-050-005	RIM 57-29.00 5PC STILTED DEM	TO SUIT 51" HUB SIZES	40.00R57, 46/90R57
300-990-363	RIM 25-10.00 5PC HSLA	VOLVO/MACK STEER	385/95R25
300-990-473	RIM 25-10.00 5PC DEM	WESTERN STAR (OLD) + SURLOC	385/95R25
357-082-001	RIM 57-29.00 7PC HSLA DLR		40.00R57, 46/90R57



ARTICULATED DUMP TRUCK WHEELS

PART NUMBER	WHEEL	MAKE & MODEL	TYRE SIZE
525-991-698	WHEEL 25-19.50 5PC 12/422	ASTRA ADT30	23.5R25
525-991-699	WHEEL 25-25.00 5PC 19/500	ASTRA ADT40	29.5R25
525-991-661	WHEEL 25 17.00 3PC 12/425	BELL B20C	20.5R25
525-991-588	WHEEL 25-22.00 5PC 12/501.65	BELL B40	26.5R25
529-991-290-BY	WHEEL 29-27.00 5PC 18/500	BELL B50D	875/65R29
525.135.010	WHEEL 25-19.50 3PC 12/425	BELL DUMP TRUCK	23.5R25
525-991-527	WHEEL 25-19.50 5PC 20/515	CAT 725/730	23.5R25
525-991-848	WHEEL 25-22.00 5PC 20/515	CAT 730	26.5R25
525-991-746	WHEEL 25-24.00 5PC 20/515	CAT 730 - NON STD	750/65R25
525-991-817	WHEEL 25-22.00 5PC 20/515	CAT 730 EJECTOR TRUCK	26.5R25
525-991-634	WHEEL 25-22.00 5PC 23/515	CAT 735	26.5R25
525-991-670	WHEEL 25-22.00 5PC 24/515	CAT 735	26.5R25
525-991-795	WHEEL 25-22.00 5PC 27/515	CAT 735B	26.5R25
525-991-330	WHEEL 25-25.00 5PC 23/515	CAT 740/D400E SERIES 2	29.5R25
525-991-862	WHEEL 25-25.00 5PC 27/515 (26MM STUD HOLE)	CAT 740B	29.5R25
525-991-718	WHEEL 25-25.00 5PC 27/515	CAT 740B,745C	29.5R25
525-991-824	WHEEL 25-25.00 5PC 27/515	CAT 745C	29.5R25
529-991-292	WHEEL 29-27.00 5PC 27/515	CAT 745C	875/65R29
525-991-593	WHEEL 25-19.50 5PC 12/515	CAT D250E	23.5R25
525-991-486	WHEEL 25-17.00 5PC 20/515	CAT D25D	20.5R25
525-991-233	WHEEL 25-19.50 5PC 12/515.13	CAT D300D	23.5R25
525-991-449	WHEEL 25-22.00 5PC 20/515	CAT D350D	26.5R25
525-991-825	WHEEL 25-25.00 5PC 23/515	EMT600 MOXY FRONT WHEEL	29.5R25
525-991-295	WHEEL 25-19.50 5PC 12/425	HITACHI AH250D/AH300/BELL B25D	23.5R25
525-991-295	WHEEL 25-19.50 5PC 12/425	HITACHI AH250D/AH300/BELL B25D	23.5R25
525-991-526	WHEEL 25-22.00 5PC 12/500	HITACHI AH400	26.5R25
525-991-609	WHEEL 25-22.00 5PC 12/500	HITACHI AH400D	26.5R25
525-991-439	WHEEL 25-25.00 5PC 18/500	HITACHI AH500/BELL B50D	29.5R25
525-991-904	WHEEL 25-17.00 3PC 12/425.45	HITACHI B25E	20.5R25
525-991-905	WHEEL 25-22.00 3PC 12/425.45	HITACHI B30D	26.5R25
525-991-907	WHEEL 25-22.00 3PC 12/500	HITACHI B35D	26.5R25
525-991-908	WHEEL 25-25.00 5PC 18/500	HITACHI B40E 45E 50E	29.5R25
525-991-942	WHEEL 25-22.00 5PC 15/460	KOMATSU HM300-3	26.5R25
525-991-484	WHEEL 25-19.50 5PC 15/460	KOMATSU HM300-2	23.5R25
525-991-419	WHEEL 25-25.00 5PC 21/487	KOMATSU HM400-1 & 2	29.5R25
529-991-301	WHEEL 29-27.00 5PC 21/487	KOMATSU HM400-3	875/65R29
525-991-768	WHEEL 25-19.50 5PC 12/425	MOXY	23.5R25
525-991-784	WHEEL 25-17.00 3PC 12/425	MOXY MT31	20.5R25
525-991-840	WHEEL 25-22.00 5PC 12/425	TEREX TA300-9/10 DUMP TRUCK	26.5R25

PART NUMBER	WHEEL	MAKE & MODEL	TYRE SIZE
525-991-831	WHEEL 25-22.00 5PC 23/501.8	TEREX TA35	26.5R25
529-991-293	WHEEL 29-27.00 5PC 19/500	TEREX TA400 - 9 OR 10	875/65R29
525-991-243	WHEEL 25-19.50 5PC 12/425	VOLVO A25C/D/G/A30C/D/E/F/G	23.5R25
525-991-818	WHEEL 25-19.50 5PC 12/425	VOLVO A30C	23.5R25
525-991-856	WHEEL 25-22.00 5PC 12/425	VOLVO A30D / A30G	26.5R25
525-991-450	WHEEL 25-22.00 5PC 18/500	VOLVO A35C	26.5R25
525-991-268	WHEEL 25-25.00 5PC 18/500	VOLVO A40D/E/F/G A40S A45G	29.5R25
529-991-294	WHEEL 29-27.00 5PC 24/585	VOLVO A60H	875/65R29

PORT WHEELS

PART NUMBER	WHEEL	MAKE & MODEL	TYRE SIZE
300-990-678	RIM 25-13.00/2.5 5PC DEM	542MM BORE. REINFORCED BACK SECTION / STGD HYSTER	18.00-25
300-990-474	RIM 33-13.00/2.5 5PC RW STEP DOWN DEMOUNTABLE	HYSTER 542 BORE (0887372)	18.00-33
300-990-475	RIM 33-13.00/2.5 5PC RW STEP DOWN DEMOUNTABLE	HYSTER 546 BORE (4097444)	18.00-33
300-990-307	RIM 33-13.00/2.5 5PC	HYSTER 56E STEPDOWN DEMOUNT	18.00-25
524-991-540	WHEEL 24-10.00 4PC 12/425 TT	HYSTER H22 EMPTY CONTAINER HANDLER	14.00-24
525.134.010	WHEEL 25-11.25 5PC 12/425	KALMAR	16.00-25
300-990-680	RIM 25-13.00/2.5 5PC	KALMAR / SMV (MACHINED GUTTER)	18.00-25
TA07705	WHEEL 24-10.00 3PC 12/425 TL	KALMAR EMPTY CONTAINER HANDLER	14.00-24
525-991-777	WHEEL 25-11.25 5PC 12/425	KALMAR ESC350 STRADDLE	16.00-25
533-991-332	WHEEL 33-13.00 5PC 24/500	KALMAR ESH250HW 289 REAR OFFSET	18.00-33
525-991-627	WHEEL 25-15.00 5PC 20/500	KALMAR RTG	21.00-25
300-990-443	RIM 33-13.00/2.5 5PC	KALMAR STEPDOWN DEMOUNTABLE	18.00-25
525-991-769	WHEEL 25-11.25 3PC 12/425	LIEBHERR STRADDLE	16.00-25
525-991-881	WHEEL 25-22.00 5PC 20/420	REAR 70MSC 70T STRADDLE CARRIER	26.5R25
300-990-281	RIM 25-13.00/2.5 5PC DEM	STMD 546MM BORE. HYSTER (4139857) (1391555)	18.00-25
300-990-285	RIM 25-13.00/2.5 5PC DEM	STN (546MM BORE)	18.00-25
300-990-280	RIM 25-11.25/2.0 5PC DEM	STN HSLA STRADDLE / CONTAINER FORK	16.00-25
139-990-084	SPACER BAND 25"	KALMAR DRS4531-S5	
800-990-579	WEDGE BAND 25"	KALMAR DRS4531-S5	

GRADER WHEELS

PART NUMBER	WHEEL	MAKE & MODEL	TYRE SIZE
525-991-150	WHEEL 25-14.00 3PC 10/285.75	CAT 12/140/150/160G/H/M	17.5R25
524-991-097	WHEEL 24-8.00 3PC 10/285.76	CAT 120/130/140G	12.00R24
524-991-178	WHEEL 24-10.00 3PC 8/411.74	CAT 120M (AWD FRONT)	14.00R24
525-991-289	WHEEL 25-12.00 3PC 10/285.75	CAT 12G/H	15.5R25
524-991-069	WHEEL 24-10.00 3PC 10/285.75	CAT 12G/H 120/130/140 G/H/M	14.00R24
525-991-830	WHEEL 25-14.00 3PC 8/410	CAT 140M/150M FRONT (AWD)	17.5R25
525-991-663	WHEEL 25-14.00 3PC 8/410	CAT 143H (AWD FRONT)	17.5R25
525-991-855	WHEEL 25-14.00 3PC 8/411.74	CAT 143M AWD	17.5R25
525-991-185	WHEEL 25-17.00 3PC 10/285.75	CAT 14G/H/M	20.5R25
TA00470	WHEEL 25-19.50 5PC 10/335	CAT 16G/H/M CAT 18M	23.5R25
529-991-303	WHEEL 29-25.00 5PC 24/431.8	CAT 24, 24G/24H/24M HD	29.5R29
516-991-056	WHEEL 16.5-9.75 1PC 10/285.76	CAT MINEGRADER	12.5-16.5
525-991-159	WHEEL 25-14.00 3PC 14/304.8	JD 670/770CH/D/G (672/772 REAR)	17.5R25
524-991-070	WHEEL 24-10.00 3PC 14/304.8	JD 670D/G/770CH/D	14.00R24
525.130.010	WHEEL 25-14.00 3PC 14/304.8	JD 672	17.5R25
525-991-921	WHEEL 25-14.00 3PC 14/304.8	JD 672/772/872 D/G/GP FRONT/AWD (6WD) ONLY	17.5R25
524-991-161	WHEEL 24-10.00 3PC 14/304.8	JD 672D/772D	14.00R24
524-991-140	WHEEL 24-10.00 3PC 14/304.8	JD 772B	14.00R24
525-991-732	WHEEL 25-14.00 3PC 14/304.8	JD 772CH FRONT/AWD (6WD) ONLY	17.5R25
525-991-763	WHEEL 25-17.00/1.7 3PC 14/304.8	JD 872G/H (6WD FRONT WHEEL)	20.5R25
525-991-764	WHEEL 25-17.00/1.7 3PC 14/304.8	JD 872G/H (6WD REAR WHEEL)	20.5R25
525-991-400	WHEEL 25-14.00 3PC 10/285.76	KOMATSU GD555-1 & 3 / GD655-1-3-5	17.5R25
524-991-074	WHEEL 24-10.00 3PC 10/285.75	KOMATSU GD625A-2	14.00R24
524-991-245	WHEEL 24-10.00 3PC 10/285.75	KOMATSU GD655-3	14.00R24
524-991-201	WHEEL 24-10.00 3PC 10/285.76	KOMATSU GD655-5	14.00R24
525-991-808	WHEEL 25-14.00 3PC 10/285.75	KOMATSU GD655-5	17.5R25
525-991-445	WHEEL 25-19.50 5PC 10/335	KOMATSU GD825A/-2	23.5R25
524-991-137	WHEEL 24-10.00 3PC 10/285.76	VOLVO G930/B	14.00R24
525-991-693	WHEEL 25-14.00 3PC 10/285.75	VOLVO G940/930	17.5R25
525.112.010	WHEEL 25-14.00 3PC 10/335	VOLVO G976 FRONT	17.5R25
525-991-482	WHEEL 25-14.00 3PC 10/285.75	VOLVO G976/946 REAR	17.5R25
525-991-494	WHEEL 25-17.00 3PC 10/317.5	VOLVO G990	17.5R25

UNDERGROUND MINING WHEELS

PART NUMBER	WHEEL	MAKE & MODEL	TYRE SIZE
300-990-287	RIM 25-14.00 3PC	15SC + SF	17.5R25
300-990-246	RIM 24-10.00 3PC	15SC SPECIAL O/S + DRIVERS	14.00-24
300-990-247	RIM 24-10.00 3PC	15SC SPECIAL OFFSET + SF	14.00-24
300-990-245	RIM 24-10.00 3PC	15SC STANDARD + SF	14.00-24
300-990-248	RIM 24-10.00 3PC	15SC STANDARD + SF + DRIVERS	14.00-24
300-990-437	RIM 24-10.00 3PC	15SC STANDARD+SF RL FITMENT	14.00-24
516.499.010	WHEEL 16.5-8.25 1PC 8/275	-22 PJB 6.0 MC50500	10-16.5
516.557.010	WHEEL 16.5-8.25 1PC 8/275 VG	-22 PJB 6.0 REINFORCED BEADS	10-16.5
300-990-425	RIM 24-8.50 3PC DEMOUNTABLE	22SC + SF	12.00-24
524-991-174	RIM 24-8.50 3PC DEMOUNTABLE	22SC + SF 115MM FORFOR	12.00-24
524-991-209	RIM 24-8.50 3PC DEM KINGS KS03	22SC + SF 135MM FORFOR	12.00-24
300-990-266	RIM 24-8.50 3PC DEMOUNTABLE	22SC + SF 85MM FORFOR	12.00-24
524-991-176	RIM 24-8.50 3PC DEMOUNTABLE	22SC + SF 95MM FORFOR	12.00-24
516.764.010	WHEEL 16.5-8.25 1PC 8/275	-25 MINECRUISER MK6	10-16.5
520.439.010	WHEEL 20-8.50 2PC 12/425 VG	-27 MCLEAN CHARGE CAR	12.00-20
524.681.010	WHEEL 24-10.00 4PC 12/425	-37 ATLAS COPCO SIMBA DRILL RIG	14.00-24
516.825.010	WHEEL 16.5-9.75 3PC 8/275	-47 (A3 HOLE) PJB MK8	12-16.5
515.507.010	WHEEL 15-6.00 3PC 6/205	-7 (A2 HOLE) TAMROCK H104	7.50-15
520-990-980	WHEEL 20-6.50 2PC 6/400	7-041354-700 NOYES MK3	8.25-20
520-990-966	WHEEL 20-10.00 3PC 8/410	7-041357-700 REV A	14.00-20
520.401.010	WHEEL 20-14.00 3PC 8/275	7-041387-700 REV E	400/70-20
520-991-041	WHEEL 20-8.00 2PC 10/285.75	7-041418-700 REV C	10.00-20, 11.00-20
520.429.010	WHEEL 20-8.00 2PC 10/285.75	7-041418-700 REV D	10.00-20, 11.00-20
520-990-971	WHEEL 20-14.00 3PC 10/285.76	7-041563-700 REV C (TUBE TYPE)	400/70-20
525-991-103	WHEEL 25-11.25 5PC 12/425	7-041749-700 LWC 40T	16.00-25
525-991-104	WHEEL 25-11.25 5PC 24/425	7-041886-700 LWC 50T	16.00-25
520.428.010	WHEEL 20-14.00 3PC 10/285.76	7-045274-700 REV A (TUBELESS) WHITE	400/70-20
525-991-711	WHEEL 25-11.25 5PC 24/425	7-045326-700 REV B LWC 6WD 50T	16.00-25
533-991-304	WHEEL 33-13.00 5PC 24/425	7-181305-721 LWC 55T	18.00R33
533-991-335	WHEEL 33-13.00 5PC 24/425	7-181305-721 REV D LWC 55 & 70T	18.00R33
533-991-311	WHEEL 33-13.00 5PC 24/425 NOSL	7-181305-722 REV D LWC 80T	18.00R33
520-991-239	WHEEL 20-10.00 3PC 20/380.24	7-181305-723 REV A LWC 80T	14.00-20
520-991-272	WHEEL 20-10.00 4PC 8/410	7-181305-724 REV A LWC 80T HD	14.00-20
525-991-690	WHEEL 25-14.00 3PC 24/500	7-181305-729 REV A	17.5R25
520-991-279	WHEEL 20-10.00 4PC 16/410	7-181305-732 REV A LWC 80T HD	14.00-20
533-991-321	WHEEL 33-15.00 5PC 24/425	7-181305-733 LWC 105T	21.00R33
516.136.010	WHEEL 16.5-9.75 1PC 8/275	-76.5 SMV MK4	12-16.5
516.560.010	WHEEL 16.5-8.25 1PC 8/275	-77.5 SMV MK3 REINFORCED BEADS	10-16.5
529-991-283	WHEEL 29-25.00 5PC 24/580	AD40	29.5R29

PART NUMBER	WHEEL	MAKE & MODEL	TYRE SIZE
529-991-280	WHEEL 29-25.00 5PC 36/582	AD45/B	29.5R29
533-991-299	WHEEL 33-28.00 5PC 38/692.98	AD55 / AD60 RW/EV GROOVE STYLE	35/65R33
524.549.010	WHEEL 24-10.00 4PC 12/425	ATLAS COPCO E2C	14.00-24
525-991-592	WHEEL 25-11.25 5PC 23/495.6	ATLAS COPCO MT2010	16.00-25
525-991-599	WHEEL 25-17.00 5PC 23/495.6	ATLAS COPCO MT2010	20.5R25
520-991-228	WHEEL 20-8.00 2PC 10/335	ATLAS COPCO ROCKET BOOMER M2D	10.00-20, 11.00-20
525-991-707	WHEEL 25-22.00 5PC 30/500	ATLAS COPCO ST14 SCOOP TRAM	26.5R25
525-991-608	WHEEL 25-25.00 5PC 32/508	ATLAS COPCO ST1520	29.5R25
529-990-008	WHEEL 29-25.00 5PC 32/508	ATLAS COPCO ST1520	29.5R29
525-991-504	WHEEL 25-14.00 3PC 23/504	ATLAS COPCO ST710	17.5R25
520-991-262	WHEEL 20-8.00 2PC 10/335	ATLAS JUMBO DRILL RIG	10.00-20, 11.00-20
520-991-185	WHEEL 20-8.50 2PC 10/335	ATLAS JUMBO DRILL RIG	12.00-20
524-991-203	WHEEL 24-8.50 3PC 10/335	ATLAS JUMBO M2D	12.00-24
524.550.010	WHEEL 24-8.50 4PC 10/335	ATLAS JUMBO M2D	12.00-24
533-991-310	WHEEL 33-28.00 5TM/EM 5PC 38/605 KESSLER D111 AXLE	ATMT5010/6020SVIKTH551/663MT65	35/65R33
524-991-171	WHEEL 24-10.00 4PC 12/425	AXERA T08	14.00-24
520.374.010	WHEEL 20-13.00 3PC 10/335	BRUMBY	18.00-20
520-991-227	WHEEL 20-8.50 2PC 10/335	BRUMBY WHEEL	12.00-20
537-991-002	WHEEL 37-25.00 38/605	BUCYRUS (#1622871)	MOULDED RUBBER
525-991-649	WHEEL 25-14.00 3PC 19/511.16	BYRNCUT MARINERS	17.5R25
524-991-175	WHEEL 24-10.00 3PC 12/425	CABOLTER	14.00-24
540-991-003	WHEEL 40-20.00 33/508 (36 HOLE PATTERN)	CAT FBL LOADER SETCO # SA66902	MOULDED RUBBER
516-991-056	WHEEL 16.5-9.75 1PC 10/285.76	CAT MINEGRADER	12-16.5
537-991-005	WHEEL 37-25.00 33/508	CAT SH60 - BUCYRUS	MOULDED RUBBER
537-991-003	WHEEL 37-18.00 30/500 WITH CHAIN GUARD	CAT SH640 - BUCYRUS	MOULDED RUBBER
TA07505	WHEEL 37-18.00 30/500 WITH CHAIN GUARD	CAT SH640 W 14MM CHAIN FITTED	MOULDED RUBBER
537-991-007	WHEEL 40-25.00 38/605	CAT SH660 (28X54) SETCO SERIAL NO: SA53194W	MOULDED RUBBER
525-991-576	WHEEL 25-17.00 3PC 23/501.65	CT10 COAL TRAM + SUPPORT RING	20.5R25
525-991-816	WHEEL 25-17.00 5PC 23/501.6	CT10 COAL TRAM	20.5R25
525-991-401	WHEEL 25-14.00 3PC 23/501.65	CT10 COAL TRAM 5520000540	17.5R25
525-991-459	WHEEL 25-17.00 5PC 19/511.2	CT13 COAL TRAM	20.5R25
525-991-616	WHEEL 25-14.00 5PC 20/511.16	DANA AXLE 150 MM FORFOC	17.5R25
525-991-196	WHEEL 25-17.00 5PC 19/511	DANA AXLE DBT FBL15 500109	20.5R25
524-991-211	WHEEL 24-10.00 4PC 12/425	DANA NDE AXLE MACLEAN ENGINEERING	14.00-24
525.136.010	WHEEL 25-14.00 3PC 24/500	DBT 4262316 (CL210B)	17.5R25
525-991-581	WHEEL 25-14.00 3PC 12/425	DBT COMPAC LOADER	17.5R25
524-991-169	WHEEL 24-10.00 3PC 10/335	DBT COMPAC LOADER MK2	14.00-24
525-991-590	WHEEL 25-17.00 5PC 20/511	DBT FBL SPECIAL	20.5R25
525-991-168	WHEEL 25-14.00 3PC 20/511	DBT FBL10 503582 (CL210)	17.5R25

UNDERGROUND MINING WHEELS

PART NUMBER	WHEEL	MAKE & MODEL	TYRE SIZE
525-991-169	WHEEL 25-14.00 5PC 19/511	DBT FBR15 506273 (FH125D)	17.5R25
525.117.010	WHEEL 25-17.00 5PC 19/511	DBT FBR15 511015	20.5R25
520-991-165	WHEEL 20-10.00 3PC 10/335	DOM GRADER	14.00-20
520-990-978	WHEEL 20-6.50 2PC 8/203.2	DOMINO	9.00-20
520-991-149	WHEEL 20-8.00 3PC 10/285.75	DRIFTRUNNER	10.00-20, 11.00-20
524-991-063	WHEEL 24-10.00 3PC 10/335	DUAL 49	14.00-24
520-991-220	WHEEL 20-8.50 2PC 12/400	DUAL 65MM	12.00-20
525-991-705	WHEEL 25-14.00 3PC 10/511.175	EIMCO 913 8" FORFOC	17.5R25
525-991-131	WHEEL 25-14.00 3PC 10/511.175	EIMCO 913 LOADER	17.5R25
525-991-134	WHEEL 25-14.00 3PC 10/511.175	EIMCO 913 LOADER W/TRAC	17.5R25
525-991-697	WHEEL 25-12.00 3PC 19/533.4	EIMCO 913 OLD (912)	15.5R25
525-991-138	WHEEL 25-14.00 3PC 19/511.175	EIMCO 913/130 MULTIFIT	17.5R25
525-991-288	WHEEL 25-14.00 3PC 19/511.175	EIMCO 913/130 MULTIFIT W/TRAC	17.5R25
525-991-548	WHEEL 25-17.00 3PC 19/511.175	EIMCO A2U130/913-6 MULTIFIT	20.5R25
520-991-250	WHEEL 20-7.00 2PC 12/400	EIMCO A2U921-371050	10.00-20
TA05874	WHEEL 25-14.00 3PC 19/511.175 PRIMER	EIMCO ED10 A2U220-371084 LS190	17.5R25
525-991-515	WHEEL 25-14.00 3PC 12/425	EIMCO ED5 A2U900-372121 LS151	17.5R25
525-991-135	WHEEL 25-14.00 3PC 19/511.175	EIMCO ED7 (USE TA05873)	17.5R25
525-991-136	WHEEL 25-14.00 3PC 19/511.175	EIMCO ED7 A2U130-371043 + SF	17.5R25
525-991-299	WHEEL 25-14.00 3PC 19/511.175	EIMCO ED7 A2U130-371043 LS170	17.5R25
525-991-305	WHEEL 25-14.00 3PC 19/511.175	EIMCO ED7 A2U130-371097 W/TRAC	17.5R25
525-991-773	WHEEL 25-17.00 3PC 19/511.175	EIMCO SPECIAL	20.5R25
525-991-780	WHEEL 25-17.00 3PC 19/511.175	EIMCO SPECIAL W/TRAC	20.5R25
525-991-350	WHEEL 25-14.00 5PC 16/515	ELPHINSTONE R1300/G	17.5R25
525-991-128	WHEEL 25-13.00 5PC 20/515	ELPHINSTONE R1500/R1600	18.00-25
529-990-018	WHEEL 29-25.00 5PC 36/597.6	ELPHINSTONE R2900G	29.5R29
524-991-542	WHEEL 24-8.50 3PC 12/425	EPIROC M2C BOOMER	12.00-24
520-991-197	WHEEL 20-14.00 3PC 10/285.76	GRADER	400/70-20
520-991-246	WHEEL 20-14.00 3PC 8/275	GRADER	400/70-20
520-991-233	WHEEL 20-8.00 2PC 10/335	JACON MAXI TRANS S/P	10.00-20, 11.00-20
520-991-159	WHEEL 20-8.00 2PC 8/275	JACON MAXIJET	10.00-20, 11.00-20
520-991-181	WHEEL 20-8.50 2PC 10/335	JACON TRANSMIX	12.00-20
300-990-290	RIM 25-14.00 3PC	JOY 00579947 14 BOLT 15SC	17.5R25
300-990-255	RIM 24-10.00 2PC	JOY 100165373 (BOLT TOGETHER)	14.00-24
524-991-072	WHEEL 24-10.00 3PC 14/546.1	JOY 100235411 10SC32	14.00-24
525-991-657	WHEEL 25-13.00 3PC 16/511.2 RL FITMENT	JOY 100362585 10SC32D RL FITMENT	18.00-25
525-991-751	WHEEL 25-13.00 3PC 16/511.2	JOY 100488526 10SC32D	18.00-25
525-991-580	WHEEL 25-14.00 3PC 14/546.1	JOY 100597057 10SC42 HD	17.5R25
525-991-796	WHEEL 25-14.00 3PC 14/546.1 RL FITMENT	JOY 100597057 10SC42 HD RL FITMENT	17.5R25

PART NUMBER	WHEEL	MAKE & MODEL	TYRE SIZE
525-991-721	WHEEL 25-14.00 3PC 14/546.1	JOY 100764503 10SC42 HD BLOCKS	17.5R25
520-990-999	WHEEL 20-7.50 2PC 19/445	JOY 10SC	10.00-20
520-991-177	WHEEL 20-7.50 2PC 19/445	JOY 10SC SPECIAL	10.00-20
525-991-538	RIM 25-14.00 3PC	JOY 15SC + SF 14 BOLT (GREGS)	17.5R25
525-991-604	WHEEL 25-14.00 3PC 14/546.1	JOY HD 125 FRNT NO GUSET/BLOCK	17.5R25
525-991-660	WHEEL 25-14.00 3PC 24/500	JUG KESSLER AXLE 150 FORFOC	17.5R25
525-991-648	WHEEL 25-14.00 5PC 24/500	JUG KESSLER AXLE 215 FORFOC	17.5R25
525-991-425	WHEEL 25-14.00 3PC 20/511.16	JUG V SERIES (150)	17.5R25
525.114.010	WHEEL 25-14.00 3PC 24/500	JUG Z SERIES 175 (12T)	17.5R25
525.113.010	WHEEL 25-14.00 3PC 23/500	JUG Z SERIES 265 (10T)	17.5R25
525-991-610	WHEEL 25-17.00 5PC 24/500	KESSLER AXLE DBT FBL15 933612 (CL215)	20.5R25
529-990-013	WHEEL 29-25.00 5PC 38/605	LHD 517 KESSLER	29.5R29
529-990-019	WHEEL 29-25.00 5PC 38/605	LHD ST18	29.5R29
525-991-736	WHEEL 25-13.00 5PC 24/425	LWC 50T	18.00-25
516-991-076	WHEEL 16.5-8.25 3PC 8/275	MINECRUISER MK7	10-16.5
520-991-172	WHEEL 20-8.00 3PC 10/335	MINIMATIC 206D	10.00-20, 11.00-20
520-991-170	WHEEL 20-6.50 2PC 6/400	MPV	8.25-20
533-090-001	WHEEL 33-28.00 5PC 38/609.6	MT5010/6020 (DANA AXLE)	35/65R33
520.398.010	WHEEL 20-8.00 3PC 18/419.1	NARCO SHUTTLECAR	10.00-20, 11.00-20
520-991-150	WHEEL 20-10.00 3PC 18/445	NARCO SHUTTLECAR + SF	14.00-20
520-991-180	WHEEL 20-8.00 2PC 8/275	NORMET	10.00-20, 11.00-20
524-991-179	WHEEL 24-10.00 3PC 10/335	NORMET	14.00-24
520-991-097	WHEEL 20-7.50 2PC 8/275	NORMET CHARMEC	10.00-20
524-991-259	WHEEL 24-10.00 4PC 10/335	NORMET LF700 FRONT	14.00-24
524-991-260	WHEEL 24-10.00 4PC 12/425	NORMET LF700 REAR	14.00-24
300-990-218	RIM 20-6.50 2PC DEMOUNTABLE	NOYES MK1	8.25-20
524-991-093	WHEEL 24-8.50 3PC 8/203.2	NOYES MK1	12.00-24
524-991-095	WHEEL 24-8.50 2PC	NOYES MK3 70413217	12.00-24
520-991-248	WHEEL 20-8.00 3PC 10/275	PJB	10.00-20, 11.00-20
516-990-086	WHEEL 16.5-8.25 1PC 8/275	PJB + 1 RING MC13091	10-16.5
516-990-087	WHEEL 16.5-8.25 1PC 8/275	PJB + 2 RING	10-16.5
525-991-585	WHEEL 25-14.00 5PC 16/515	R1300 CHAIN O/S *	17.5R25
525-991-256	WHEEL 25-22.00 5PC 23/482.6	R1700/SERIES II	26.5R25
525-991-363	WHEEL 25-22.00 5PC 26/485 (+80MM)	R1700G/AD30 CHAIN FITMENT	26.5R25
525-991-883	WHEEL 25-22.00 5PC 26/485(+70MM)	R1700G/AD30 CHAIN FITMENT DUAL DRIVER	26.5R25
525-991-317	WHEEL 25-22.00 5PC 26/485	R1700G/K AD30	26.5R25
529-990-003	WHEEL 29-25.00 5PC 36/597.6	R2900 CHAIN FITMENT	29.5R29
529-991-284	WHEEL 29-25.00 5PC 36/597.6	R2900/G	29.5R29
533-991-309	WHEEL 33-28.00 5PC 36/597.6	R2900G ELPINSTONE	35/65R33

UNDERGROUND MINING WHEELS

PART NUMBER	WHEEL	MAKE & MODEL	TYRE SIZE
533-991-320	WHEEL 33-28.00 5PC EV 36/597.6	R2900G/XTRA/R3000H - EV STYLE (OEM)	35/65R33
524-991-177	RIM 24-10.00 3PC + DRIVER	RAMCAR RIM + SF	14.00-24
524-991-210	WHEEL 24-8.50 4PC 12/425	ROCKET BOOMER M2D	12.00-24
525.131.010	WHEEL 25-14.00 3PC 19/511.175	SANDVIK A2U900-371084 LS190	17.5R25
516.518.010	WHEEL 16.5-8.25 1PC 5/160	SANDVIK COMMANDO 120	10-16.5
524-991-207	WHEEL 24-10.00 3PC 10/335	SANDVIK DD421	14.00-24
524-991-208	WHEEL 24-10.00 3PC 10/335	SANDVIK DD421 - 20MM CENTRE	14.00-24
524-991-192	WHEEL 24-10.00 3PC 19/511.175	SANDVIK EJC417	14.00-24
525-991-842	WHEEL 25-22.00 5PC 30/500	SANDVIK LH514	26.5R25
533-991-314	WHEEL 33-28.00 5PC EM 38/605	SANDVIK LH621 (56208533)	35/65R33
533-991-324	WHEEL 33-28.00 5PC EM 38/605 CHAIN OFFSET	SANDVIK LH621 (56208533)	35/65R33
520-991-231	WHEEL 20-8.50 2PC 10/335	SANDVIK SOLO 7-7V DRILL RIG	12.00-20
525-090-001	WHEEL 25-14.00 3PC 21/420	SANDVIK TC791 SHUTTLE CAR	17.5R25
525-991-909	WHEEL 25-25.00 5PC 30/500	SANDVIK TH545 # 56208238	29.5R25
533-991-325	WHEEL 33-28.00 5TM/EM 5PC 38/605	SANDVIK TH551 USE 533-991-310	35/65R33
533-991-326	WHEEL 33-28.00 W/EV 5PC 38/605	SANDVIK TH663 (POST APRIL 2017 NEW)	35/65R33
537-991-001	WHEEL 37-25.00 33/508	SH630 SPECIAL BUCYRUS	MOULDED RUBBER
515-991-078	WHEEL 15-6.50 2PC 8/275	SIMBA	7.50-15
516.651.010	WHEEL 16.5-9.75 3PC 8/275	SMK4	12-16.5
520-991-269	WHEEL 20-8.00 10/335	SMV BRUMBY	10.00-20, 11.00-20
516-990-964	WHEEL 16.5-8.25 1PC 6/205	SMV MK1	10-16.5
516-990-104	WHEEL 16.5-8.25 1PC 6/205	SMV MK1 + 1 RING	10-16.5
516-990-105	WHEEL 16.5-8.25 1PC 6/205	SMV MK1 + 2 RING	10-16.5
516-990-967	WHEEL 16.5-8.25 1PC 6/205	SMV MK2	10-16.5
516-990-968	WHEEL 16.5-8.25 1PC 6/205	SMV MK2 + 1 RING	10-16.5
516-990-106	WHEEL 16.5-8.25 1PC 6/205	SMV MK2 + 2 RING	10-16.5
516.086.010	WHEEL 16.5-8.25 1PC 8/275	SMV MK3	10-16.5
516-990-107	WHEEL 16.5-8.25 1PC 8/275 VG	SMV MK3 + 2 RING	10-16.5
516-990-141	WHEEL 16.5-9.75 1PC 8/275 VG	SMV MK4 + 2 RINGS	12-16.5
520-991-214	WHEEL 20-8.00 3PC 10/335	TAMROCK	10.00-20, 11.00-20
533-991-297	WHEEL 33-28.00 5PC 32/695	TAMROCK 0011/T11/TORO 621	35/65R33
520-991-138	WHEEL 20-8.00 2PC 10/335	TAMROCK AXERA D07/DD420-260	10.00-20, 11.00-20
520-991-206	WHEEL 20-8.50 2PC 12/278	TAMROCK D06 73101558/20850628	12.00-20
520-991-232	WHEEL 20-8.50 2PC 10/335	TAMROCK DATA SOLO 1020	12.00-20
524-991-168	WHEEL 24-10.00 4PC 12/420	TAMROCK RC300 CABOLTER	14.00-24
520-991-261	WHEEL 20-8.00 2PC 10/335	TAMROCK SOLO DL420	10.00-20, 11.00-20
520-991-155	WHEEL 20-8.50 2PC 8/203.2	TAMROCK SOLO D05	12.00-20
525-991-871	WHEEL 25-25.00 5PC 32/508	TH550 HAULTRACK RIM	29.5R25
525-991-464	WHEEL 25-22.00 5PC 32/508	TORO 1400 CHAIN OFFSET	26.5R25

PART NUMBER	WHEEL	MAKE & MODEL	TYRE SIZE
525-991-368	WHEEL 25-22.00 5PC 32/508	TORO 1400/60D 3JB	26.5R25
520-991-157	WHEEL 20-8.50 3PC 12/400 VG	TORO 151	12.00-20
520.553.010	WHEEL 20-8.50 2PC 12/400 VG	TORO 151 (ALTERNATIVE 520-991-157)	12.00-20
525-991-257	WHEEL 25-22.00 5PC 25/495.3	TORO 35D/40D 3 JACK BLOCKS	26.5R25
525-991-258	WHEEL 25-22.00 5PC 27/495.3	TORO 40D 4 JACK BLOCKS	26.5R25
525-991-259	WHEEL 25-22.00 5PC 27/495.3	TORO 450E 4 JACK BLOCKS	26.5R25
525-991-598	WHEEL 25-22.00 5PC 32/508	TORO 50D	26.5R25
525-991-671	WHEEL 25-22.00 5PC 30/500	TORO 514D+SPIN TABS (56031487)	26.5R25
TA01348	WHEEL 25-25.00 3PC 30/500	TORO 514E (56031488)	29.5R25
525.132.010	WHEEL 25-25.00 5PC 30/500	TORO 514E + PROTECTION RING	29.5R25
525-991-639	WHEEL 25-25.00 5PC 30/500	TORO 514E+SPIN TABS	29.5R25
529-990-012	WHEEL 29-25.00 5PC 32/508	TORO 650D/0010 SPECCIAL OFFSET	29.5R29
529-990-001	WHEEL 29-25.00 5PC 32/508	TORO 650D/0010/LH517	29.5R29
525-991-615	WHEEL 25-22.00 5PC 32/508	TORO T9	26.5R25
525-991-828	WHEEL 25-14.00 3PC 24-500	TORQUE LOADER	17.5R25
525-991-496	WHEEL 25-14.00 3PC 23/504	WAGNER 710	17.5R25
525-991-685	WHEEL 25-22.00 5PC 23/495.3	WAGNER MT436B	26.5R25
525-991-603	WHEEL 25-22.00 5PC 23/495.3	WAGNER ST7.5	26.5R25
300-990-442	RIM 24-10.00 3PC	WARACAR + SF RL FITMENT	14.00-24
300-990-482	RIM 24-10.00 3PC	WARACAR R24 +SF (1033409)	14.00-24
525-991-645	WHEEL 25-14.00 3PC 14/545	WARACAR R25 HD REV C (STD 505)	17.5R25
525-991-645T	WHEEL 25-14.00 3PC 14/545	WARACAR R25 HD REV C (STD 505) M24	17.5R25

The logo for OTR, featuring the letters 'OTR' in a bold, white, sans-serif font. The 'O' is a solid white circle, while the 'T' and 'R' have a stylized, slightly irregular appearance with some internal cutouts or shadows.

MADE IN AUSTRALIA

WHEELS BY MACHINE

This catalogue is intended as a guide to cover the range of products supplied by OTR - Tyre Wheels Axles. Please contact our National Customer Service Centre 1300 CALL OTR for a current list price. All goods sold by OTR - Tyre Wheels Axles are covered by manufacturer's warranty.

Whilst all efforts have been made to publish this document with respect to accuracy supplied by manufacturers of products, OTR - Tyre Wheels Axles accepts no responsibility for claims resulting from information provided herein. All sales are covered by OTR - Tyre Wheels Axles Conditions of Sales and Credit Terms.

It is the responsibility of the purchaser to check all goods supplied by OTR - Tyre Wheels Axles at time of delivery. Errors in delivery must be reported to OTR - Tyre Wheels Axles Customer Service Department within 24 hours of receipt and any incorrect deliveries at the fault of OTR - Tyre Wheels Axles will be replaced by OTR - Tyre Wheels Axles without cost to the Dealer.

All goods returned outside these parameters shall be subject to a 10% surcharge and freight for returned goods shall be at the purchaser's cost. OTR - Tyre Wheels Axles return procedure must be followed otherwise goods will not be accepted.



CATERPILLAR WHEELS

PART NUMBER	WHEEL	MAKE & MODEL	TYRE SIZE
525-991-794	WHEEL 22.00-25 5PC 20-375	CAT 966F	26.5R25
524-991-165	WHEEL 24-10.00 3PC 10/285.75	CAT 12M/120M (USE 524-991-069)	14.00-24
524-991-069	WHEEL 24-10.00 3PC 10/285.75	CAT 12G/H 120/130/140 G/H/M	14.00-24
524-991-067	WHEEL 24-10.00 3PC 10/285.75	CAT 120G/120H	14.00-24
140-990-353	WHEEL 24-10.00 3PC 10/285.75	CAT 140G 10.00-24 REFURBISHED	14.00-24
524-991-069	WHEEL 24-10.00 3PC 10/285.75	CAT 120/130/140 G/H/M	14.00-24
524-991-178	WHEEL 24-10.00 3PC 8/411.74	CAT 120M (AWD FRONT)	14.00-24
524-991-157	WHEEL 24-10.00 3PC 8/457.2	CAT 920/G	14.00-24
525-991-786	WHEEL 24-10.00 3PC 8/457.2	CAT 910	14.00-24
524.525.010	WHEEL 24-14W 1PC 8/275 VG	CAT TH406/TH407	15.5/80-24
524-991-097	WHEEL 24-8.00 3PC 10/285.76	CAT 120/130/140G	10.00-24
525-991-534	WHEEL 25-11.25 5PC 16/335	CAT AH46	16.00-25
525.127.010	WHEEL 25-12.00 1PC 8/275	CAT TH414	15.5R25
525-991-843	WHEEL 25-12.00 3PC 10/200.4	CAT IT12B	15.5R25
525-991-289	WHEEL 25-12.00 3PC 10/285.75	CAT 12G/H	15.5R25
525-991-316	WHEEL 25-12.00 3PC 8/457.2	CAT 920	15.5R25
525-991-652	WHEEL 25-12.00 3PC 8/457.2	CAT 910	15.5R25
525-991-146	WHEEL 25-14.00 3PC 10/285.75	CAT 140G/H 160G/H (MAN)	17.5R25
525-991-150	WHEEL 25-14.00 3PC 10/285.75	CAT 12/140/150/160G/H/M	17.5R25
140-990-226	WHEEL 25-14.00 3PC 10/285.75	CAT 140H	17.5R25
140-990-315	WHEEL 25-14.00 3PC 10/285.75	CAT 12M	17.5R25
525-991-150	WHEEL 25-14.00 3PC 10/285.75	CAT 12/140/150/160G/H/M	17.5R25
525.164.010	WHEEL 25-14.00 3PC 10/335	CAT 528	17.5R25
525-991-149	WHEEL 25-14.00 3PC 10/458	CAT IT28/B	17.5R25
525-991-525	WHEEL 25-14.00 3PC 10/458	CAT 926/926E	17.5R25
525-991-546	WHEEL 25-14.00 3PC 10/458	CAT IT18/B	17.5R25
525-991-729	WHEEL 25-14.00 3PC 10/458	CAT 936E 51-49126-95	17.5R25
525-991-509	WHEEL 25-14.00 3PC 10/458	CAT IT28B	17.5R25
525-991-502	WHEEL 25-14.00 3PC 10/501.6	CAT 930	17.5R25
525-991-614	WHEEL 25-14.00 3PC 12/513.08	CAT 950	17.5R25
525-991-589	WHEEL 25-14.00 3PC 16/250	CAT 924G/H	17.5R25
525-991-619	WHEEL 25-14.00 3PC 16/250	CAT 930G/H	17.5R25
525-991-489	WHEEL 25-14.00 3PC 16/250	CAT 928F	17.5R25
525-991-545	WHEEL 25-14.00 3PC 16/250	CAT IT24	17.5R25
525-991-283	WHEEL 25-14.00 3PC 16/250	CAT IT28F/G	17.5R25
140-990-227	WHEEL 25-14.00 3PC 16/250	CAT 930G	17.5R25
525-991-539	WHEEL 25-14.00 3PC 16/250	CAT 918F	17.5R25
525-991-147	WHEEL 25-14.00 3PC 8/200	CAT 914G	17.5R25
525-991-148	WHEEL 25-14.00 3PC 8/200	CAT IT14G	17.5R25

PART NUMBER	WHEEL	MAKE & MODEL	TYRE SIZE
525-991-830	WHEEL 25-14.00 3PC 8/410	CAT 140M/150M FRONT (AWD)	17.5R25
525-991-663	WHEEL 25-14.00 3PC 8/410	CAT 143H (AWD FRONT)	17.5R25
525-991-855	WHEEL 25-14.00 3PC 8/411.74	CAT 143M AWD	17.5R25
525-991-185	WHEEL 25-17.00 3PC 10/285.75	CAT 14G/H/M	20.5R25
525-991-642	WHEEL 25-17.00 3PC 12/515	CAT 936	20.5R25
525-991-188	WHEEL 25-17.00 3PC 16/250	CAT 924GZ, CAT 928/930F/G/H (F+225MM)	20.5R25
525-991-302	WHEEL 25-17.00 3PC 16/250	CAT 928/930F/G/H, IT28/B (F+175MM)	20.5R25
525-991-863	WHEEL 25-17.00 3PC 16/250	CAT 930K (F+210MM) (357-8878)	20.5R25
525-991-878	WHEEL 25-17.00 3PC 16/250	CAT 924K (F+247MM)	20.5R25
525-991-190	WHEEL 25-17.00 3PC 16/275	CAT 938F/G-IT38/G	20.5R25
525-991-723	WHEEL 25-17.00 3PC 16/285	CAT 938H/CAT IT38H	20.5R25
525-991-753D	WHEEL 25-17.00 3PC 16/425	CAT 938K WITH DRIVER	20.5R25
525-991-596	WHEEL 25-17.00 3PC 16/515	CAT 950B	20.5R25
525-991-846	WHEEL 25-17.00 5PC 16/250	CAT 924H	20.5R25
525-991-783	WHEEL 25-17.00 5PC 16/275	CAT 938G / IT38G	20.5R25
525-991-486	WHEEL 25-17.00 5PC 20/515	CAT D25D	20.5R25
525-991-595	WHEEL 25-19.50 5PC 8/203.2	CAT CP-663E	23.5R25
525-991-227	WHEEL 25-19.50 5PC 10/335	CAT 16G/H/M (MAN)	23.5R25
525-991-653	WHEEL 25-19.50 5PC 10/335	CAT CS-563E	23.5R25
TA00470	WHEEL 25-19.50 5PC 10/335	CAT 16G/H/M CAT 18M	23.5R25
525-991-933	WHEEL 25-19.50 5PC 12/422.275	CAT NSS250	23.5R25
525-991-593	WHEEL 25-19.50 5PC 12/515	CAT D250E	23.5R25
525-991-233	WHEEL 25-19.50 5PC 12/515.13	CAT D300D	23.5R25
525-991-770	WHEEL 25-19.50 5PC 16/400	CAT RM300	23.5R25
525-991-506	WHEEL 25-19.50 5PC 16/515	CAT 950B/E	23.5R25
525-991-421	WHEEL 25-19.50 5PC 20/310	CAT 950G/H/M /952/962H/IT62G/H	23.5R25
525-991-797	WHEEL 25-19.50 5PC 20/310	CAT 962K	23.5R25
525-991-551	WHEEL 25-19.50 5PC 20/375	CAT 966D/E/F	23.5R25
525-991-527	WHEEL 25-19.50 5PC 20/515	CAT 725/730	23.5R25
525-991-377	WHEEL 25-19.50 5PC 20/515	CAT 966D/E/F	23.5R25
525-991-607	WHEEL 25-19.50 5PC 8/203.2 REV	CAT CP-663E REVERSE FITMENT	23.5R25
525-991-683	WHEEL 25-22.00 5PC 10/511.175	CAT TRACTOR	26.5R25
525-991-510	WHEEL 25-22.00 5PC 20/310	CAT 525B	26.5R25
525-991-415	WHEEL 25-22.00 5PC 20/375	CAT 966G/H/M/ 972G/H/M	26.5R25
525-991-391	WHEEL 25-22.00 5PC 20/515	CAT 966D/E/F	26.5R25
525-991-449	WHEEL 25-22.00 5PC 20/515	CAT D350D	26.5R25
525-991-817	WHEEL 25-22.00 5PC 20/515	CAT 730 EJECTOR TRUCK (225-2851)	26.5R25
525-991-848	WHEEL 25-22.00 5PC 20/515	CAT 730	26.5R25
525-991-889	WHEEL 25-22.00 5PC 20/515	CAT 615C	26.5R25

CATERPILLAR WHEELS

PART NUMBER	WHEEL	MAKE & MODEL	TYRE SIZE
525-991-827	WHEEL 25-22.00 5PC 20-310	CAT 950M LOADER	26.5R25
525-991-369	WHEEL 25-22.00 5PC 23/482.6	CAT 980B/C/F	26.5R25
525-991-251	WHEEL 25-22.00 5PC 23/482.6	CAT 980C	26.5R25
525-991-618	WHEEL 25-22.00 5PC 23/482.6	CAT 980F SPECIAL OFFSET	26.5R25
525-991-634	WHEEL 25-22.00 5PC 23/515	CAT 735 (24 HOLE SPACING)	26.5R25
525-991-832	WHEEL 25-22.00 5PC 24/455	CAT RM500B	26.5R25
525-991-670	WHEEL 25-22.00 5PC 24/515	CAT 735 (28 HOLE SPACING)	26.5R25
525-991-795	WHEEL 25-22.00 5PC 27/515	CAT 735B	26.5R25
525-991-872	WHEEL 25-25.00 5PC 20/515	CAT 615C	29.5R25
525-991-673	WHEEL 25-25.00 5PC 23/482.6	CAT 980B/C/F	29.5R25
525-991-330	WHEEL 25-25.00 5PC 23/515	CAT 740/D400E SERIES 2	29.5R25
525-991-307	WHEEL 25-25.00 5PC 26/485	CAT 980G/H/K/L/M 824H	29.5R25
525-991-307S	WHEEL 25-25.00 5PC 26/485	CAT 980G WITH SURLOC	29.5R25
525-991-718	WHEEL 25-25.00 5PC 27/515	CAT 740B,745C CAT367-3091,3093	29.5R25
525-991-824	WHEEL 25-25.00 5PC 27/515	CAT 745C	29.5R25
525-991-862	WHEEL 25-25.00 5PC 27/515[26MM]	CAT 740B (CAT#419-8198 OR 515-2501)	29.5R25
526.360.010	WHEEL 26-16DW 1PC 10/335 VG	CAT 428E/432E/F	18.4-26
526-990-308	WHEEL 26-20DW 1PC 10/335	CAT CS563E	23.1-26
526.437.010	WHEEL 26-20DW 1PC 12/425 VG	CAT CS663E	23.1-26
526.258.010	WHEEL 26-20DW 1PC 8/203.2	CAT CP-563C ROLLER	23.1-26
528-991-015	WHEEL 28-15W 1PC 10/335	CAT 428E - 432F	16.9-28
528-991-007	WHEEL 28-15W 1PC 10/335	CAT 438C	16.9-28
528-991-013	WHEEL 28-15W 1PC 10/335 VG	CAT 430E/432E/442E/444E	16.9-28
528.136.010	WHEEL 28-15W 1PC 8/203.2	CAT 416-432 BCD	16.9-28
529-991-296	WHEEL 29-25.00 5PC 32/582	CAT 982M	29.5R29
529-991-303	WHEEL 29-25.00 5PC 24/431.8	CAT 24, 24G/24H/24M HD	29.5R29
529-991-292	WHEEL 29-27.00 5PC 27/515	CAT 745C	33.25R29
529-991-295	WHEEL 29-27.00 5PC 32/582	CAT 982M	33.25R29
533-991-290	WHEEL 33-13.00 5PC 12/660.4	CAT 769, 770, 771,772 B/C/D/G	18.00R33
533-991-340	WHEEL 33-15.00/3.0 12/660.4	CAT 772G (264-3169)	18.00R33
533-991-301	WHEEL 33-28.00 5PC 38/692.98	CAT 988G/H/K 5TM / 38MM DISC	35/65R33
533-991-337	WHEEL 33-28.00 5PC 38/692.98	CAT 988G/H/K 5TM / 51MM DISC	35/65R33
533-991-296	WHEEL 33-28.00 5PC 40/705	CAT 988B/C/F CAT834B	35/65R33
533-991-322	WHEEL 33-28.00 5PC 40/705	CAT 988F SPECIAL OFFSET	35/65R33
535-991-298	WHEEL 35-15.00 5PC	CAT 773A, B/C P/N 6G-1676 7D-2840	21.00R35
535-991-304	WHEEL 35-15.00 5PC	CAT V925	21.00R35
TA01848	WHEEL 35-17.00 5PC	CAT 773B-G 775D-G (361-3181)	24.00R35
535-991-294	WHEEL 35-17.00 5PC USE TA01848	CAT 773B/C/D/E-775D/F	24.00R35
537-991-003	WHEEL 37-18.00 30/500 WITH CHAIN GUARD	CAT SH640 - BUCYRUS	MOULDED RUBBER

PART NUMBER	WHEEL	MAKE & MODEL	TYRE SIZE
537-991-005	WHEEL 37-25.00 33/508	CAT SH60 - BUCYRUS	MOULDED RUBBER
537-991-004	WHEEL 37-26.00 38/605	CAT SH660 - BUCYRUS (#1625381)	MOULDED RUBBER
539-091-001	WHEEL 39-32.00 5PC 48/826	CAT 990/990H/844/844H	45/65R39
539-091-002	WHEEL 39-32.00 5PC 48/826	CAT 990/990H/844/844H WITH SURLOC	45/65R39
540-991-003	WHEEL 40-20.00 33/508 (36 HOLE PATTERN)	CAT FBL LOADER SETCO#SA66902	MOULDED RUBBER
537-991-007	WHEEL 40-25.00 38/605	CAT SH660 (28X54) SETCO SERIAL NO: SA53194W	MOULDED RUBBER
500-990-768	WHEEL 45-36.00 5PC	CAT 992G/992K/854G	45/65R45
545-991-296	WHEEL 45-36.00 5PC	CAT 992 B/C/D/F	45/65R45
545-991-303	WHEEL 45-36.00 5PC	CAT 992G/H/K XHD	45/65R45
549-991-305	WHEEL 49-17.00 5PC	CAT 777A	24.00R49
549-991-299	WHEEL 49-19.50 5PC	CAT 777 A - 145 OFFSET	27.00R49
549-991-298	WHEEL 49-19.50 5PC (SURLOC)	CAT 777 B/C/D/E/F/G (SURLOC)	27.00R49
549-041-001	WHEEL 49-19.50 5PC EU DESIGN	CAT 992G	27.00R49
549-082-001	WHEEL 49-19.50 DOUBLE GUTTER	CAT 777	27.00R49
549-001-001	WHEEL 49-19.50 OVM ASSEMBLY	CAT 777	27.00R49
551-052-001	WHEEL 51-22.00 5PC	CAT 776/777F LONG HAUL	30.00R51
551-082-003	WHEEL 51-22.00 DOUBLE GUTTER	CAT 776/777F LONG HAUL	30.00R51
551-012-001	WHEEL 51-22.00 SVM	CAT 776/777F LONG HAUL	30.00R51
551-053-001	WHEEL 51-24.00 5PC	CAT 776 170T TRAILER INNER	33.00R51
551-990-631	WHEEL 51-24.00 5PC	CAT 785C	33.00R51
551-052-002	WHEEL 51-24.00 5PC XT	CAT 785	33.00R51
551-002-001	WHEEL 51-24.00 6PC OVM	CAT 785	33.00R51
551-082-001	WHEEL 51-24.00 7PC DOUBLE GUTTER	CAT 776 170T TRAILER OUTER	33.00R51
551-052-003	WHEEL 51-26.00 5PC XT	CAT 785	36.00R51
551-052-004	WHEEL 51-26.00 5PC XT	CAT 785 ADAPTOR NAVE FITTED	36.00R51
551-052-006	WHEEL 51-26.00 5PC XT SPECIAL	CAT 785 ADAPTOR NAVE REVERSED	36.00R51
551-051-001	WHEEL 51-40.00 5PC	CAT 993K	50/65R51
551-071-001	WHEEL 51-40.00 6PC	CAT 993K VMW	50/65R51
557-991-302	WHEEL 57-29.00 5PC	CAT 789	37.00R57, 40.00R57, 42/90R57
557-052-003	WHEEL 57-29.00 5PC XT	CAT 793D CAT 793F	40.00R57, 46/90R57
557-002-001	WHEEL 57-29.00 6PC OVM	CAT 789	37.00R57, 40.00R57, 42/90R57
557-002-006	WHEEL 57-29.00 6PC OVM	CAT 793D 38MM NAVE	40.00R57, 46/90R57
557-002-003	WHEEL 57-29.00 6PC OVM	CAT 793D 70MM NAVE	40.00R57, 46/90R57
557-012-002	WHEEL 57-29.00 6PC SVM	CAT 793	40.00R57, 46/90R57
557-012-001	WHEEL 57-29.00 6PC SVM	CAT 789	37.00R57, 40.00R57, 42/90R57
557-082-001	WHEEL 57-29.00 7PC DOUBLE GUTTER	CAT 789	37.00R57, 40.00R57, 42/90R57
557-082-007	WHEEL 57-29.00 7PC DOUBLE GUTTER	CAT 793 38MM NAVE	40.00R57, 46/90R57
557-052-017	WHEEL 57-32.00 5PC	CAT 793F	50/80R57, 40.00R57, 46/90R57
557-052-014	WHEEL 57-32.00 5PC XT	CAT 793F	50/80R57, 40.00R57, 46/90R57

CATERPILLAR WHEELS

PART NUMBER	WHEEL	MAKE & MODEL	TYRE SIZE
557-052-008	WHEEL 57-32.00 5PC XT	CAT 793D	50/80R57, 40.00R57, 46/90R57
557-002-005	WHEEL 57-32.00 6PC OVM	CAT 793F 38MM NAVE CAT#309-4614	50/80R57, 40.00R57, 46/90R57
557-002-004	WHEEL 57-32.00 6PC OVM	CAT 793D 70MM NAVE	50/80R57, 40.00R57, 46/90R57
557-012-003	WHEEL 57-32.00 6PC SVM	CAT 793F CAT#309-4619	50/80R57, 40.00R57, 46/90R57
557-082-004	WHEEL 57-32.00 7 PC DOUBLE GUTTER	CAT 793F 38MM NAVE	50/80R57, 40.00R57, 46/90R57
557-051-002	WHEEL 57-36.00 5PC 61/1230	CAT 994/994H	50/80-57
557-051-007	WHEEL 57-44.00 5PC 61/1230	CAT 994/994H	55/80R57
557-051-006	WHEEL 57-47.00 5PC 60/1230	CAT 994K	60/80R57
557-051-003	WHEEL 57-47.00 5PC 61/1230	CAT 994/994H	60/80R57
563-082-009	WHEEL 63-36.00 7PC DGS	CAT 794	53/80R63
563-002-002	WHEEL 63-41.00 6PC OVM	CAT 795 #347-7157	56/80R57
563-002-004	WHEEL 63-41.00 6PC OVM	CAT MT5300 CAT# 451-8199	56/80R63
563-012-002	WHEEL 63-41.00 6PC SVM	CAT 795 #347-7156	56/80R63
563-990-001	WHEEL 63-44.00 6PC OVM	CAT 797 #325-7409	59/80R63
563-990-002	WHEEL 63-44.00 6PC SVM	CAT 797 #325-7408	59/80R63

PART NUMBER	WHEEL	MAKE & MODEL	TYRE SIZE
357-050-012	RIM 57-29.00 5PC HSLA	HITACHI EH3500-4000 ACII	40.00R57, 46/90R57
357-050-015	RIM 57-29.00 5PC HSLA	HITACHI 3500-4500	40.00R57, 46/90R57
357-080-005	RIM 57-29.00 7PC DLR HSLA	HITACHI EH3500-4000 ACII	40.00R57, 46/90R57
357-050-011	RIM 57-32.00 5PC HSLA	HITACHI EH3500-4000 ACII	40.00R57, 46/90R57
357-080-004	RIM 57-32.00 7PCDLR HSLA	HITACHI EH3500-4000 ACII	40.00R57, 46/90R57
363-052-001	RIM 63-38.00 5PC HSW	HITACHI EH5000-III	53/80R63
363-082-001	RIM 63-38.00 7PC DLR HSW	HITACHI EH5000-III	53/80R63
520.852.010	WHEEL 20-7.50 3PC 10/335	HITACHI ZX170W-5B	10.00-20
525.144.010	WHEEL 25-13.00 1PC 12/210	HITACHI ZW120	15.5R25
525-991-807	WHEEL 25-14.00 3PC 12/210	HITACHI ZW120	17.5R25
525-991-771	WHEEL 25-17.00 3PC 12/210	HITACHI ZW120	20.5R25
525.119.010	WHEEL 25-17.00 3PC 14/304.8	HITACHI 624K	20.5R25
525-991-157	WHEEL 25-17.00 3PC 14/305	HITACHI LX120	20.5R25
525-991-665	WHEEL 25-17.00 3PC 15/252	HITACHI ZW150 / KAW 70Z7	20.5R25
525-991-901	WHEEL 25-17.00 3PC 15/254	HITACHI ZW180-5B # 2656442001	20.5R25
525-991-679	WHEEL 25-19.50 3PC 12/425	HITACHI AH250D/AH300/BELL B25D	23.5R25
525-991-906	WHEEL 25-19.50 3PC 12/425.45	HITACHI B35E # 191124	23.5R25
525-991-902	WHEEL 25-19.50 3PC 20/370	HITACHI ZW250-5B # 2671440201	23.5R25
525-991-295	WHEEL 25-19.50 5PC 12/425	HITACHI AH250D/AH300/BELL B25D	23.5R25
525-991-866	WHEEL 25-19.50 5PC 18/335	HITACHI ZW220-5B	23.5R25
525-991-844	WHEEL 25-19.50 5PC 20/370	HITACHI ZW250-5B	23.5R25
525-991-905	WHEEL 25-22.00 3PC 12/425.45	HITACHI B30D	26.5R25
525-991-907	WHEEL 25-22.00 3PC 12/500	HITACHI B35D	26.5R25
525-991-903	WHEEL 25-22.00 3PC 20/370	HITACHI ZW330-5B # 4342462070	26.5R25
525-991-526	WHEEL 25-22.00 5PC 12/500	HITACHI AH400	26.5R25
525-991-254	WHEEL 25-22.00 5PC 14/304.8	HITACHI LX230-3	26.5R25
525-991-819	WHEEL 25-22.00 5PC 20/370	HITACHI ZW250-5	26.5R25
525-991-566	WHEEL 25-22.00 5PC 20/370	HITACHI ZW310	26.5R25
525-991-439	WHEEL 25-25.00 5PC 18/500	HITACHI AH500/BELL B50D	29.5R25
525-991-908	WHEEL 25-25.00 5PC 18/500	HITACHI B40E 45E 50E # BN027711	29.5R25
529-991-290-HO	WHEEL 29-27.00 5PC 18/500	HITACHI AH500	875/65R29
533-991-338	WHEEL 33-28.00 5PC 32/580	HITACHI ZW550-5B # 4342460360	35/65R33

KOMATSU WHEELS

PART NUMBER	WHEEL	MAKE & MODEL	TYRE SIZE
300-990-222	RIM 20-7.50 2PC DEMOUNTABLE	KOM 3EE-27-15301	10.00-20
300-990-378	RIM 33-13.00/2.5 5PC RW 1.38	KOMATSU 325-5/6	18.00R33
300-990-412	RIM 35-15.00/3.0 5PC	KOMATSU HD465/-3/-5/-6 / HD605	21.00R35
300-990-311	RIM 35-17.00/3.5 5PC 1.38 SURLOC	KOMATSU HD465-3/5/6 HD605	24.00R35
300-990-316	RIM 49-19.50 5PC	KOMATSU 785/-5 W SURLOC BSB	27.00R49
300-990-465	RIM 51-24.00 5PC EUH	KOMATSU HD1500-7	33.00R51
300-990-660	RIM 51-24.00 7PC DEM DG	KOMATSU HD1500-7	33.00R51
551-990-632	RIM 51-26.00 5PC	KOMATSU 630E	36.00R51
551-990-636	RIM 51-26.00 5PC	KOMATSU HD1500	36.00R51
300-990-393	RIM 57-27.00 5PC	KOMATSU 730E	37.00R57
800-990-451	RIM 57-29.00 5PC	KOMATSU 830E	40.00R57
300-990-489	RIM 57-29.00 XDR-250 DG	OFFSET RIM KOM 830E XDR-250	50/80R57
TA00582	WHEEL 9-4.00 2PC 6/180 150 17.5	KOM/MIT/TOY	6.00-9
510-990-804	WHEEL 10-5.00 3PC 6/180	KOMATSU FD35AT-16 78MM OFFSET	6.50-10
512.106.010	WHEEL 12-5.00 3PC 6/220	DUAL KOM FD25-16	7.00-12
515-991-053	WHEEL 15-7.00 2PC 6/250	KOMATSU FD35-4	8.25-15, 225/75R15
515-990-937	WHEEL 15-8.00 3PC 6/250	KOMATSU FD50A/7	375/70R15
516-991-052	WHEEL 16.5-8.25 1PC 8/203.2	KOMATSU SK815	10-16.5
516-991-066	WHEEL 16.5-8.25 1PC 8/203.2	KOMATSU SK815	10-16.5
518-990-230	WHEEL 18-11W 1PC 8/275	KOMATSU WB97R-5	12.5/80-18
518-990-226	WHEEL 18-11W 1PC 8/275	KOMATSU WA65-5	12.0-18
520-991-204	WHEEL 20-7.50 2PC 8/285	KOMATSU FD115-5 STEER	10.0-20, 9.0-20
522-990-758	WHEEL 22.5-8.25 1PC 8/335	KOMATSU LW100M-1E	12.0-22.5, 280/75R22.5
524-991-074	WHEEL 24-10.00 3PC 10/285.75	KOMATSU GD625A/-2	14.00R24
524-991-245	WHEEL 24-10.00 3PC 10/285.75	KOMATSU GD655-3	14.00R24
524-991-201	WHEEL 24-10.00 3PC 10/285.76	KOMATSU GD655-5	14.00R24
524-991-181	WHEEL 24-15W 1PC 10/335	KOMATSU WB97R-5	16.9-24
525-991-123	WHEEL 25-12.00 3PC 12/210	KOMATSU WA120/-1/-3	15.5R25
525-991-808	WHEEL 25-14.00 3PC 10/285.75	KOMATSU GD655-5	17.5R25
525-991-400	WHEEL 25-14.00 3PC 10/285.76	KOMATSU GD555-1-3/GD655-1-3-5	17.5R25
525-991-668	WHEEL 25-14.00 3PC 12/210	KOMATSU WA180-3	17.5R25
525-991-620	WHEEL 25-14.00 3PC 12/245	KOMATSU WA200-5	17.5R25
525.120.010	WHEEL 25-14.00 3PC 12/245	KOMATSU 180	17.5R25
525-991-503	WHEEL 25-17.00 3PC 12/245	KOM WA250PT-5H/WA200PZ-6/WA250PZ-6	20.5R25
525-991-790	WHEEL 25-17.00 3PC 12/425	KOMATSU WA270-3	20.5R25
525-991-470	WHEEL 25-17.00 3PC 15/254	KOMATSU WA320/-5 /-8 /PZ-6 WIL #WCE1320-EW1023	20.5R25
525-991-925	WHEEL 25-17.00 3PC 15/254	KOM WA320/-5 /-8 /PZ-6 W/SUR	20.5R25
525-991-329	WHEEL 25-17.00 3PC 18/320	KOMATSU WA350-1E	20.5R25
525-991-445	WHEEL 25-19.50 5PC 10/335	KOMATSU GD825A/-2	23.5R25

PART NUMBER	WHEEL	MAKE & MODEL	TYRE SIZE
525-991-484	WHEEL 25-19.50 5PC 15/460	KOMATSU HM300/-2 (56D-30-11400)	23.5R25
525-991-381	WHEEL 25-19.50 5PC 18/320	KOMATSU WA380-3/5H WA380-6, WA380-8	23.5R25
525-991-524	WHEEL 25-19.50 5PC 21/355	KOMATSU WA430-6	23.5R25
525-991-532	WHEEL 25-19.50 5PC 25/494	KOMATSU WA400-1	23.5R25
525-991-942	WHEEL 25-22.00 5PC 15/460	KOMATSU HM300-3	26.5R25
525-991-875	WHEEL 25-22.00 5PC 21/355.6	KOMATSU WA430-6	26.5R25
525-991-300	WHEEL 25-22.00 5PC 24/405	KOMATSU WA470-5/6/7, WA480 1-6	26.5R25
525-991-702	WHEEL 25-22.00 5PC 24/405	KOMATSU WA470-6H (EURO MODEL)	26.5R25
525-991-345	WHEEL 25-22.00 5PC 25/493.16	KOMATSU WA470	26.5R25
525-991-695	WHEEL 25-22.00 5PC 31/490	KOMATSU WA500-3	26.5R25
525-991-419	WHEEL 25-25.00 5PC 21/487	KOMATSU HM400 /-1 /-2	29.5R25,
525-991-533	WHEEL 25-25.00 5PC 27/481	KOM WA500-6, WA500-7,WA500-8	29.5R25
525-991-922	WHEEL 25-25.00 5PC 27/481	KOM WA500-6,7,8 WITH SURLOC	29.5R25
525-991-266	WHEEL 25-25.00 5PC 31/490	KOMATSU WA500-3	29.5R25
528-991-012	WHEEL 28-15W 1PC 10/335	KOMATSU WB97R-5 /WB97S-5	16.9-28, 420/85R28
529-991-301	WHEEL 29-27.00 5PC 21/487	KOMATSU HM400-3	875/65R29
533-092-001	WHEEL 33-13.00 5PC 12/660.4	KOMATSU HD325-7/405-7	18.00R33
533-991-293	WHEEL 33-28.00 5PC 31/550	KOMATSU WA600/600-3	35/65R33
533-991-339	WHEEL 33-28.00 5PC 38/660	KOM WA600-6/-8	35/65R33
533-991-308	WHEEL 33-28.00 5PC 5T (EM) 38/660	KOMATSU WA600-6/WA600-8	35/65R33
535-991-297	WHEEL 35-17.00 5PC	KOMATSU HD465-7/ HD605-7/8	24.00R35
545-991-297	WHEEL 45-36.00 5PC	KOMATSU WA/WD800/900	45/65R45
545-991-304	WHEEL 45-36.00 5PC	KOMATSU WA900 XHD	45/65R45
549-991-302	WHEEL 49-19.50 5PC W SURLOC BSB	KOMATSU HD785-7	27.00R49
549-001-002	WHEEL 49-19.50 OVM	KOMATSU 785-7	27.00R49
551-052-011	WHEEL 51-24.00 5PC XT	KOMATSU HD1500-8	33.00R51
557-052-019	WHEEL 57-29.00 5PC XT	KOM 730E-8AC	37.00R57
557-082-005	WHEEL 57-29.00 7PC DOUBLE GUTTER	KOM 730E-8AC	37.00R57
557-052-020	WHEEL 57-32.00 5PC XT5000	KOM 830E-5AC	40.00R57, 46/90R57, 50/80R57
557-082-006	WHEEL 57-32.00 7PC DOUBLE GUTTER	KOM 830E-5AC	40.00R57, 46/90R57, 50/80R57
557-052-010	WHEEL 57-47.00 5PC	KOMATSU WA1200	60/80R57
557-052-012	WHEEL 57-47.00 5PC	KOMATSU WE1850 (LETOURNEAU L1850)	60/80R57
557-071-002	WHEEL 57-47.00 6PC VM	KOMATSU WA1200 VERT. MOUNT	60/80R57
557-052-021	WHEEL 57-47.00/6.0 5PC	KOMATSU WA1200	60/80R57
557-052-013	WHEEL 57-52.00 5PC	KOMATSU WA1200	65/65-57
557-051-004	WHEEL 57-60.00 5PC	KOMATSU WE2350 (LETOURNEAU L2350)	70/70-57
563-062-002	WHEEL 63-36.00 5PC STD	KOMATSU 930E-4	53/80R57
563-082-004	WHEEL 63-36.00 6PC DGS LW	KOMATSU 930E-4	53/80R57
563-002-001	WHEEL 63-36.00 6PC OVM	KOMATSU 930	53/80R57

KOMATSU WHEELS

PART NUMBER	WHEEL	MAKE & MODEL	TYRE SIZE
563-012-001	WHEEL 63-36.00 6PC SVM	KOMATSU 930	53/80R57
563-072-001	WHEEL 63-36.00 6PC VM EUS	KOMATSU 930E-4	53/80R57
563-072-004	WHEEL 63-36.00 6PC VMW LW	KOMATSU 930E-4	53/80R57
563-082-001	WHEEL 63-36.00 7PC DG EUS	KOMATSU 930E-4	53/80R57
563-062-001	WHEEL 63-44.00 5PC	KOMATSU WE2350 (LETOURNEAU L2350)	58/80R63
TA04142	WHEEL 63-47.00 5PC	KOMATSU WA1200	58/80R63
563-062-003	WHEEL 63-47.00 5PC HDS	KOMATSU WA1200	58/80R63

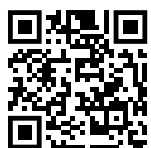
TEREX WHEELS

PART NUMBER	WHEEL	MAKE & MODEL	TYRE SIZE
300-990-419	RIM 51-24.00 5PC STD	TEREX MT3300	33.00R51
351-052-001	RIM 51-26.00 5PC	TEREX MT3300	36.00R51
300-990-387	RIM 51-26.00 5PC STD	TEREX MT3300-SPECIAL	36.00R51
351-082-001	RIM 51-26.00 7PC DLR	TEREX M3300	36.00R51
300-990-417	RIM 57-32.00 5PC EHD	TEREX 4400	40.00R57, 46/90R57
357-080-003	RIM 57-32.00 7PC DLR	TEREX 4400	40.00R57, 46/90R57
516-990-146	WHEEL 16.5-9.75 1PC 8/275	TEREX GTH2506	12-16.5
520.380.010	WHEEL 20-10.00 3PC 10/335	TEREX MAC25	14.00-24
520.379.010	WHEEL 20-8.50 3PC 10/335	TEREX AT-20 (38MM DUAL)	10.00-20
525-991-884	WHEEL 25-17.00 3PC CRANE 10/335	TEREX LIFTING	525/80R25, 20.5R25
525-991-947	WHEEL 25-19.50 3PC 12/425	TEREX TA300 DUMP TRUCK	23.5R25
525-991-961	WHEEL 25-19.50 5PC 12/425	TEREX TA300	23.5R25
525-991-840	WHEEL 25-22.00 5PC 12/425	TEREX TA300-9/10 DUMP TRUCK	26.5R25
525-991-831	WHEEL 25-22.00 5PC 23/501.8	TEREX TA35	26.5R25
529-991-293	WHEEL 29-27.00 5PC 19/500	TEREX TA400 - 9 OR 10	875/65R29
920-991-012	JACKING BOLT TEREX MT4400	1.00"-8 UNC	
920-991-090	JACKING BOLT TEREX MT4400	1.00"-8 UNC (SHORT)	
920-990-863	SPACER 51" 12 X 336 X 1200 O/D	TEREX MT3300 25 X 8 INNER BAND	
920-991-192	SPACER 51" 12X257X1200 OD	TEREX MT3300 25 X 8 INNER BAND	
920-990-867	SPACER 57" 16X415X1337 O/D	TEREX	

VOLVO WHEELS

PART NUMBER	WHEEL	MAKE & MODEL	TYRE SIZE
520.506.010	WHEEL 20-7.50 3PC 10/335	VOLVO EW160D/E	10.00-20
524-991-182	WHEEL 24-10.00 3PC 10/285.75	VOLVO JDG710B WA SPECIAL	14.00R24
524-991-137	WHEEL 24-10.00 3PC 10/285.76	VOLVO G930/B	14.00R24
525-991-404	WHEEL 25-12.00 3PC 8/250	VOLVO L50B/C	15.5R25
525-991-741	WHEEL 25-13.00 5PC 12/425	VOLVO C150 CR	18.00R25
525.111.010	WHEEL 25-14.00 1PC 10/335	VOLVO L50D/F	17.5R25
525-991-482	WHEEL 25-14.00 3PC 10/285.75	VOLVO G976/946 REAR	17.5R25
525.112.010	WHEEL 25-14.00 3PC 10/335	VOLVO G976 FRONT	17.5R25
525.140.010	WHEEL 25-14.00 3PC 10/335	VOLVO L45F	17.5R25
525-991-833	WHEEL 25-14.00 3PC 10/335	VOLVO L-60E	17.5R25
525-991-494	WHEEL 25-17.00 3PC 10/317.5	VOLVO G990	20.5R25
525-991-357	WHEEL 25-17.00 3PC 10/335	VOLVO L60E/F/H	20.5R25
525-991-710	WHEEL 25-17.00 3PC 10/335	VOLVO L70B/C/D	20.5R25
525-991-222	WHEEL 25-17.00 3PC 12/425	VOLVO L90C/D	20.5R25
525-991-221	WHEEL 25-17.00 3PC 12/425	VOLVO L90B	20.5R25
525-991-223	WHEEL 25-17.00 3PC 16/335	VOLVO L90E/F/H	20.5R25
525-991-220	WHEEL 25-17.00 3PC 16/335	VOLVO L70E/F	20.5R25
525-991-414	WHEEL 25-17.00 3PC 18/425	VOLVO L120 C/D/E/F/H	20.5R25
525-991-682	WHEEL 25-17.00 5PC 16/335	VOLVO L70F	20.5R25
525-991-214	WHEEL 25-17.00 5PC 18/425	VOLVO PDJ	20.5R25
525-991-730	WHEEL 25-19.50 3PC 18/425	VOLVO L110F	23.5R25
525-991-938	WHEEL 25-19.50 3PC 18/425	VOLVO L120F	23.5R25
525-991-911	WHEEL 25-19.50 5PC 12/425	VOLVO L120B	23.5R25
525-991-243	WHEEL 25-19.50 5PC 12/425	VOLVO A25C/D/G/A30C/D/E/F/G	23.5R25
525-991-818	WHEEL 25-19.50 5PC 12/425	VOLVO A30C (11060799)	23.5R25
525-991-910	WHEEL 25-19.50 5PC 18/425	VOLVO 4500	23.5R25
525-991-291	WHEEL 25-19.50 5PC 18/425	VOLVO L110/L120C/D/E/F/H	23.5R25
525-991-856	WHEEL 25-22.00 5PC 12/425	VOLVO A30D / A30G	26.5R25
525-991-450	WHEEL 25-22.00 5PC 18/500	VOLVO A35C	26.5R25
525-991-306	WHEEL 25-22.00 5PC 24/500	VOLVO L150E/F/G L180C/E/F/G	26.5R25
525-991-633	WHEEL 25-24.00 5PC 12/425	VOLVO A25C/D/A30D	750/65R25
525-991-893	WHEEL 25-25.00 5PC 30/500	VOLVO L160/250/260 G/H	29.5R25
525-991-268	WHEEL 25-25.00 5PC 18/500	VOLVO A40D/E/F/G A40S A45G	29.5R25
525-991-293	WHEEL 25-25.00 5PC 30/500	VOLVO L220E/F/G	29.5R25
529-990-005	WHEEL 29-24.00 5PC 24/500	VOLVO L150E/F L180E/H (11075600 15186069)	775/65R29
529-991-294	WHEEL 29-27.00 5PC 24/585	VOLVO A60H	875/65R29
529-991-291	WHEEL 29-27.00 5PC 30/500	VOLVO L220G	875/65R29
533-991-318	WHEEL 33-28.00 5PC	VOLVO L350F	35/65R33

PART NUMBER	WHEEL	MAKE & MODEL	TYRE SIZE
524-991-197	WHEEL 24-10.00 4PC 12/425	LIEBHERR CRANE	14.00R24
524-991-205	WHEEL 24-10.00 4PC 24/425	LIEBHERR LHM1300	14.00R24
525.160.010	WHEEL 25-11.00 3PC CRANE 10/335	LIEBHERR LTM1500-8.1	445/95R25, 16.00R25
525-991-744	WHEEL 25-11.00 3PC CRANE 10/335	LIEBHERR 1080-1	445/95R25, 16.00R25
525-991-769	WHEEL 25-11.25 3PC 12/425	LIEBHERR STRADDLE	16.00R25
525.118.010	WHEEL 25-16.00 3PC CRANE 10/335	LIEBHERR LTM 1080-1 SPECIAL	N/A
525-991-937	WHEEL 25-17.00 3PC 10/335	LIEBHERR L524	20.5R25
525-991-899	WHEEL 25-17.00 3PC 12/425	LIEBHERR L538	20.5R25
525-991-835	WHEEL 25-17.00 3PC CRANE 10/335	LIEBHERR LTM 1200-5.1/1060-3.1	525/80R25, 20.5R25
525-991-870	WHEEL 25-17.00 3PC CRANE 10/335	LIEBHERR LTM 1250-5.1	525/80R25, 20.5R25
525-991-617	WHEEL 25-17.00 3PC CRANE 10/335	LIEBHERR LTM 1055	525/80R25, 20.5R25
525-991-815	WHEEL 25-17.00 3PC CRANE 10/335	LIEBHERR LTM 1055/3.2 / LTM1060/2	525/80R25, 20.5R25
525-991-597	WHEEL 25-17.00 3PC CRANE 10/335	LIEBHERR LTM 1140	525/80R25, 20.5R25
525-991-323	WHEEL 25-17.00 3PC CRANE 10/335	LIEBHERR LTM 1100-2	525/80R25, 20.5R25
525-991-850	WHEEL 25-17.00 3PC CRANE 10/335	LIEBHERR LTM 1070-4.2	525/80R25, 20.5R25
525.141.010	WHEEL 25-17.00 3PC CRANE 10/335	LIEBHERR LTM 1040-2.1	525/80R25, 20.5R25
525-991-692	WHEEL 25-17.00 3PC CRANE 10/335	LIEBHERR LTM 1030-2	525/80R25, 20.5R25
525-991-869	WHEEL 25-17.00 3PC CRANE 10/335	LIEBHERR LTM 1100-4.1 DIA 26	525/80R25, 20.5R25
525-991-715	WHEEL 25-17.00 3PC CRANE 10/335	LIEBHERR	525/80R25, 20.5R25
140-990-316	WHEEL 25-17.00 3PC CRANE 12/425	LIEBHERR 538	20.5R25
525-991-803	WHEEL 25-19.50 3PC 16/425	LIEBHERR 556	23.5R25
525-991-877	WHEEL 25-22.00 5PC 20/425	LIEBHERR 576	26.5R25
525-991-834	WHEEL 25-25.00 5PC 24/508	LIEBHERR L586	29.5R25
525-991-867	WHEEL 25-9.50 3PC 10/335	LIEBHERR # 11060539	385/95R25, 14.00R25
563--002--007	WHEEL 63-41.00 5 PC STMT	950556 T282-C LIEBHERR 4163 P 1 & 2	56/80R63
563--002--008	WHEEL 63-41.00 5PC STMT	950556 T282-C LIEBHERR 4163 P 4 & 5	56/80R63
563--002--006	WHEEL 63-41.00 7PC ACT	950595 T282-C LIEBHERR 4163 P 3 & 6	56/80R63



OTR AUSTRALIA PTY LTD

1300 CALL OTR

www.otraustralia.com

sales@otraustralia.com

Version 2.0

Updated October 2024



BELLEVUE WA

113 Clayton Street, Bellevue WA, 6056

p: (08) 9250 8949 | e: sales@otrtyre.com



KEWDALE WA

12 Bradford Street, Kewdale WA, 6105

p: (08) 9253 6100 | e: sales@otraustralia.com



KALGOORLIE WA

56 Great Eastern Highway, Kalgoorlie WA, 6430

p: (08) 9021 4404 | e: sales@otrtyre.com



KARRATHA WA

51 Pemberton Way, Karratha WA, 6714

p: (08) 9144 4887 | e: sales@otrtyre.com



PORT HEDLAND WA

14 Murrena Street, Wedgefield WA, 6721

p: (08) 9172 5984 | e: sales@otrtyre.com



GERALDTON WA

239 Place Road, Webberton WA, 6530

p: (08) 9964 6988 | e: sales@otrtyre.com



GERALDTON WA

141 Flores Road, Webberton, WA 6530

p: (08) 9932 6174 | e: sales@otraustralia.com



YATALA QLD

34 Alloy Street, Yatala QLD, 4207

p: (07) 3803 8333 | e: sales@otraustralia.com



EMERALD QLD

12-16 Kyle Street, Emerald QLD, 4720

p: (07) 4987 4784 | e: sales@otraustralia.com



MOUNT ISA QLD

38-40 Barkly Highway, Mount Isa, QLD 4825

p: (07) 4743 6633 | e: sales@otraustralia.com



GLADSTONE QLD

42 Callemondah Drive, Gladstone, QLD 4680

p: (07) 4978 7233 | e: sales@otraustralia.com



MACKAY QLD

33-35 Connors Road, Paget, QLD 4740

p: (07) 4952 2797 | e: sales@otraustralia.com



BRISBANE QLD

9 Navigator Place, Hendra, QLD 4011

p: (07) 3868 4089 | e: sales@otraustralia.com



SYDNEY NSW

100 Brabham Drive, Eastern Creek, NSW 2766

p: (02) 9676 4099 | e: sales@otraustralia.com



MUSWELLBROOK NSW

26 Strathmore Road, Muswellbrook, NSW 2333

p: (02) 6541 3207 | e: sales@otraustralia.com



MILDURA VIC

36-42 Tenth Street, Mildura, VIC 3500

p: (03) 5018 7800 | e: sales@otraustralia.com