

OTR

TYRES WHEELS AXLES

OTR GROUP CORE PRODUCTS





CATALOGUE CONTENTS

AGRICULTURE

WHEELS

Wheel Information	6	Agricultural Wheels	12	Fitting King Track Duals	24
Adjustable Row Crop Wheels	8	Agricultural Rims	16	Forestry Wheels	26
Bearing & Hub Mounted Wheels	9	Adjustable Wheel Assemblies	20	Forestry Rims	27
Single PC Fixed Centre Wheels	10	Typical Dual Wheel Kit Assembly	21		
Tyre & Wheel Assemblies For Trailers	11	King Track Dual Wheel Kits	22		

TYRES

Tyre Brands	30	15.3" 15.5" 16" Tyres	42	30" 30.5" 32" Tyres	51
Acronyms Of Agricultural Tyres	32	16.1" 16.5" 17" Tyres	43	32" 34" Tyres	52
Tyre Designation Chart	33	17.5" 18" 19.5" Tyres	44	34" 38" Tyres	53
Load Index	34	20" 22.5" Tyres	45	38" Tyres	54
Conversion Chart	36	24" Tyres	46	42" Tyres	55
6" 8" 9" Tyres	38	24" 25" Tyres	47	46" Tyres	56
10" 11" 12" Tyres	39	26" 26.5" 28" Tyres	48	48" 50" 54" Tyres	57
13" 14" 15" Tyres	40	28" Tyres	49	Light Truck Aircraft Retread	58
15" 15.3" Tyres	41	30" Tyres	50	OTR Tyre Warranty	59

AXLES

Products Built Without Compromise	62	Ball Couplings Heavy Duty Auto Lock	73	Double Sided Hub Assemblies	81
Stub Axle Assemblies	64	OTR Axles, Stub Axles & Wheels	74	Off Road Only Full Length Axles	82
FAD Stub Axle Assemblies & Spares	66	Spider Hubs	75	Wheel & Axle Fitment Guide	83
Stub Axles	68	Single & Tandem Spring Sets	76	Axle Enquiries & Order Form	84
Walking Beam Axle Assemblies	69	Wheel Studs	77	Stub Axle Enquiries & Order Form	85
500kg Stub Axles	70	Wheel Nuts	78		
SIDRA Suspensions	71	Grease & Dust Caps	79		
Steering Axles	72	FAD Wheel Studs & Nuts	80		

MINING & CONSTRUCTION

WHEELS & RIMS

Wheel Information	88	Rim & Wheel Types	92	Testing & Repairs	95
Rim & Wheel Components	90	Light Vehicle Wheels	93	ILR & DLR Wheels & Rims	96
Rim & Wheel Profiles	91	Custom Manufacturing	94		

COMPONENTRY

Bead Seat Bands, Lock & Side Rings	100
Lock Ring Profiles	101
Magnetic Valve Guards	102
SLB HD Valve Extensions	103
Driver Keys	105
OTR Accessories	106

WHEELS BY APPLICATION

Loader Wheels	110
Dump Truck Wheels	115
Articulated Dump Truck Wheels	120
Port Wheels	122
Grader Wheels	123
Underground Mining Wheels	124

WHEELS BY MACHINE

Caterpillar Wheels	132
Hitachi Wheels	137
Komatsu Wheels	138
Terex Wheels	141
Volvo Wheels	142
Liebherr Wheels	143

The logo for OTR, featuring the letters 'OTR' in a bold, white, sans-serif font. The 'O' is a solid white circle, while the 'T' and 'R' are outlined. The background is a dark green, semi-transparent overlay on a photograph of a factory interior with sparks flying from a machine.

MADE IN AUSTRALIA

AGRICULTURAL WHEELS

This catalogue is intended as a guide to cover the range of products supplied by OTR - Tyre Wheels Axles. Please contact our National Customer Service Centre 1300 CALL OTR for a current list price. All goods sold by OTR - Tyre Wheels Axles are covered by manufacturer's warranty.

Whilst all efforts have been made to publish this document with respect to accuracy supplied by manufacturers of products, OTR - Tyre Wheels Axles accepts no responsibility for claims resulting from information provided herein. All sales are covered by OTR - Tyre Wheels Axles Conditions of Sales and Credit Terms.

It is the responsibility of the purchaser to check all goods supplied by OTR - Tyre Wheels Axles at time of delivery. Errors in delivery must be reported to OTR - Tyre Wheels Axles Customer Service Department within 24 hours of receipt and any incorrect deliveries at the fault of OTR - Tyre Wheels Axles will be replaced by OTR - Tyre Wheels Axles without cost to the Dealer.

All goods returned outside these parameters shall be subject to a 10% surcharge and freight for returned goods shall be at the purchaser's cost. OTR - Tyre Wheels Axles return procedure must be followed otherwise goods will not be accepted.

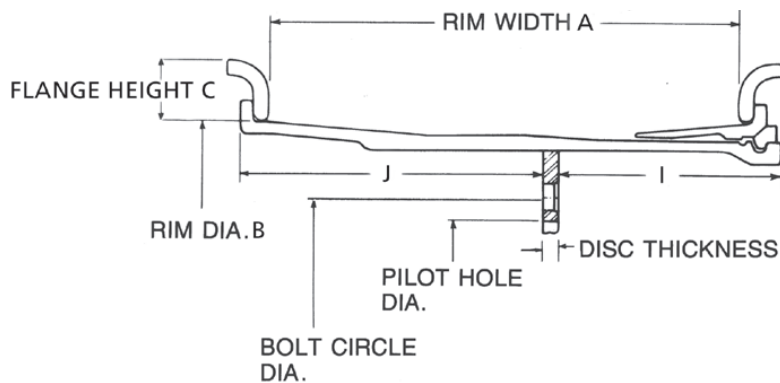


WHEEL INFORMATION

OTR ENGINEERED LARGE DIAMETER RIMS, WHEELS & COMPONENTS

- **Use of specifically designed high-strength low-alloy material in crucial components**
Ensures maximum fatigue life.
- **Shot-peened lock ring groove and other high stress areas**
Provides favorable residual compressive stress in critical areas for long life.
- **Machined lock ring grooves and mating component surfaces**
Assures even stress distribution for maximum fatigue life and safety.
- **Machined o-ring grooves**
Provides positive sealing and air retention.
- **Periodic inspection of circumferential weld joints by X-Ray or Ultrasound**
World class quality assurance of submerged arc welds eliminates potential weld problems.
- **Use of ring rolled forgings**
Ensures maximum fatigue life.

ALL RIM TYPES COVERED IN THIS CATALOGUE CAN BE MADE INTO WHEELS



Information Required:

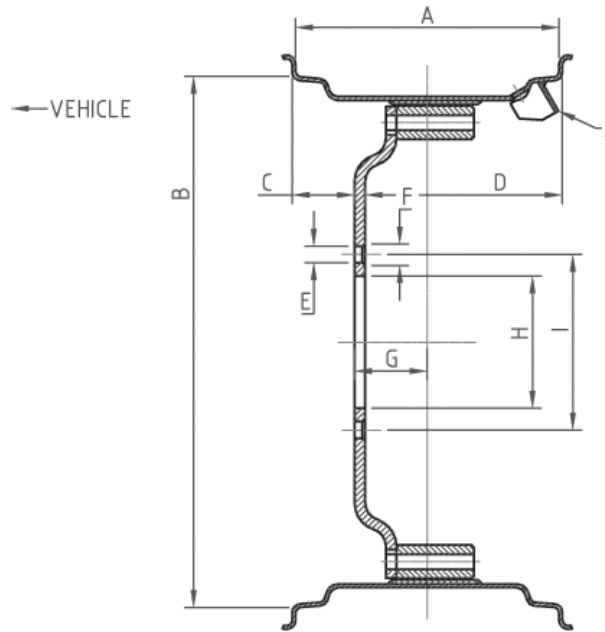
Operating Conditions

Maximum load, inflation pressure, speed, tyre size and ply rating.

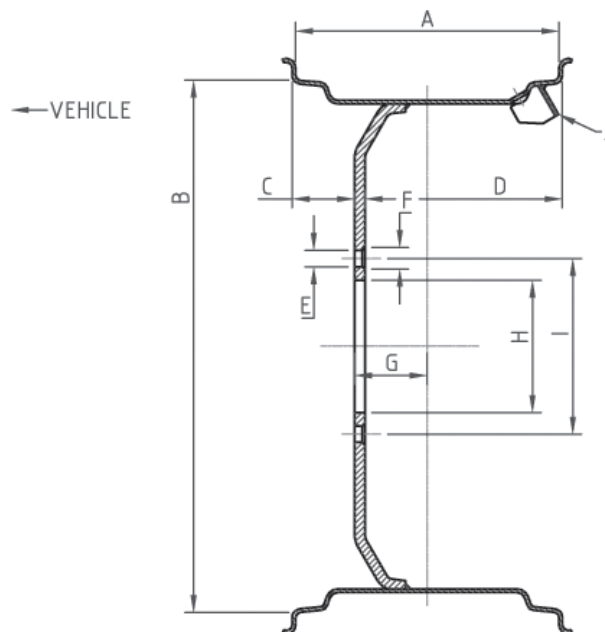
Design Details

Bolt circle diameter, number of holes, bolt hole configuration (straight or countersink), hole diameter, bore size, disc thickness, disc location (offset), hub drawing (when available).

ADJUSTABLE WHEEL



FIXED WHEEL



A	WIDTH
B	DIAMETER

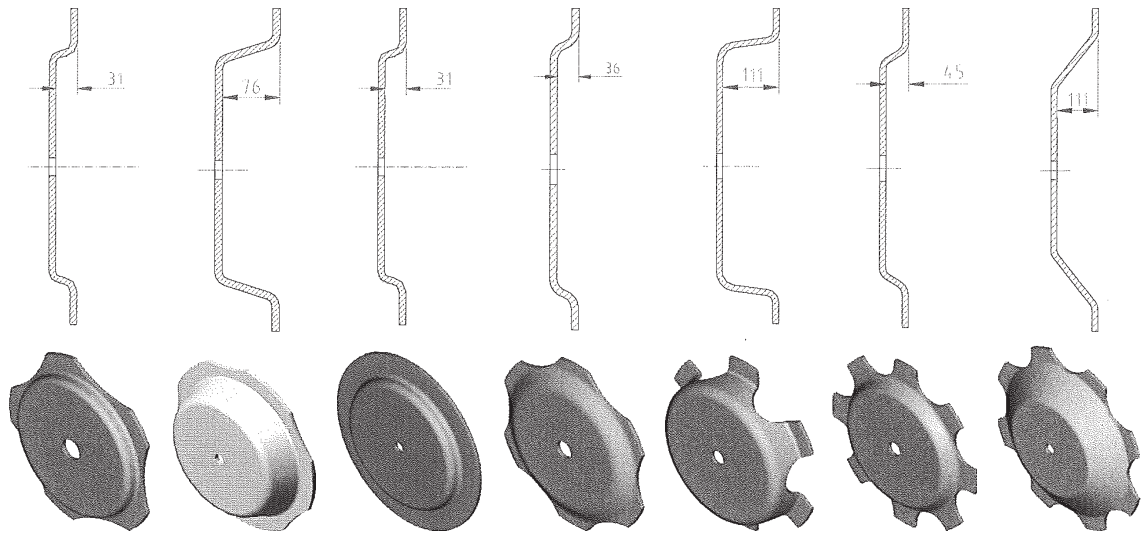
C	BACK SPACING
D	FRONT SPACING

E	HOLE SIZE
F	COUNTERSINK

G	OFFSET
H	BORE

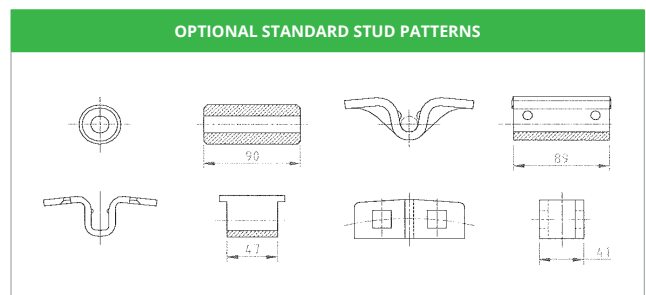
I	PCD
J	VALVE GUARD

ADJUSTABLE ROW CROP WHEELS



DIAMETER							
20	10mm	10mm	10mm				
24			12mm	12mm	10mm / 12mm		
26			12mm	12mm	10mm / 12mm		
28			10mm		12mm	12mm	
30			10mm		12mm	12mm	
32					12mm	12mm	
34					12mm	12mm	
36						12mm	12mm / 16mm
38						12mm	12mm / 16mm
40							16mm
42							16mm
44							16mm
46							16mm
48							16mm
50							16mm
52							16mm
54							16mm

OPTIONAL STANDARD STUD PATTERNS
5 on 140 PCD
6 on 205 PCD
8 on 275 PCD
10 on 335 PCD
6 on 6"
8 on 8"



BEARING & HUB MOUNTED WHEELS

PART NUMBER	SIZE	PCD	NUMBER OF STUDS	SPEED RATING	FINISH
TA00574	6 x 4.25 100mm HUB	6205 Bearing	0	40kph	White
TA00573	8 x 3.75 80mm HUB	6205 Bearing	0	40kph	White
TA00575	8 x 5.25 100mm HUB	6205 Bearing	0	40kph	White
TA00576	8 x 7.00 100mm HUB	6205 Bearing	0	40kph	White
TA00897	8 x 3.75 - 2mm	101.6	4	*	White
TA00898	8 x 3.75 - 2mm	101.6	4	*	Galvanised
TA00899	8 x 3.75 - 2mm	114.3	5	*	White
TA00902	8 x 5.375 - 2mm	101.6	4	*	White
TA00903	8 x 5.375 - 2mm	114.3	5	*	White
TA00904	8 x 5.375 - 2mm	107.95	5	*	White
TA00905	8 x 7.00 - 2mm	101.6	4	*	White
TA00906	8 x 7.00 - 2mm	101.6 x 70	4	*	White
TA00908	8 x 7.00 - 2mm	114.3	5	*	White
TA00909	8 x 7.00 - 2mm	107.95	5	*	White
TA00920	8 x 8.50 - 2mm	101.6	4	*	White
TA00912	9 x 4.00 - 2.3mm	114.3	5	*	White
TA00572	9 x 9.00 - 2.3mm	101.6	4	*	White
TA00913	10 x 4.00 - 3mm	114.3	5	*	White
TA00915	10 x 6.00 - 2.6mm	101.6	4	*	Galvanised
TA00916	10 x 6.00 - 2.6mm	114.3	5	*	White
TA00894	10 x 6.00 - 2.6mm	71.5 Bore	0	*	Bare
TA00258	12 x 7.00 - 3.5/5mm	140 x 94 Bore	5	*	Grey
TA00258 - W	12 x 7.00 - 3.5/5mm	140 x 94 Bore	5	*	White
TA00128	12 x 10.5 - 2.5/4.5mm	114.3 x 80	5	*	Silver
TA00911	9 x 4.00	101.6	4	+25	White Mini

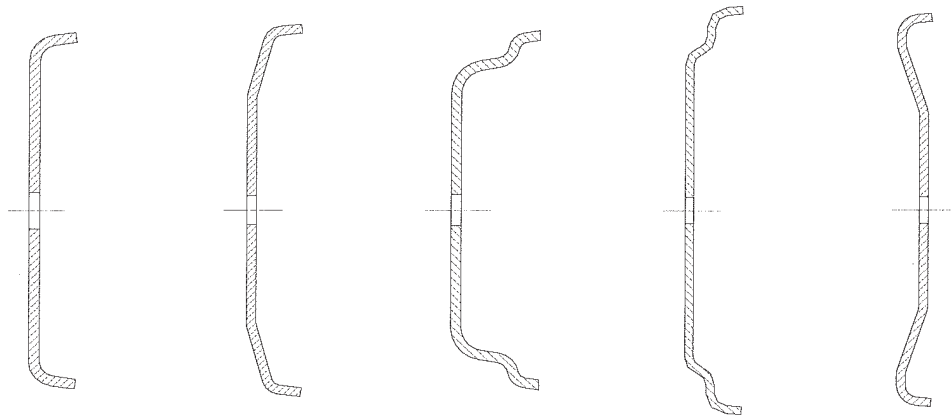
* A maximum speed up to 100 kph may be obtained on application and rating of selected tyre. Please discuss your application with our technical department for further assistance. Other sizes and configurations are available to OEM volume orders.

EXTRA HEAVY DUTY SOLID RUBBER INDUSTRIAL WHEELS

PART NUMBER	DIAMETER	SECTION WIDTH	BORE	PCD	CAPACITY	SPEED RATING
650.003.010	402mm	112mm	68mm	5/107.95 HT	860kg	25kph

A high quality European assembly for agricultural & industrial applications. This is a solid-ribbed 4.00 x 8 forklift tyre fitted to a heavy duty 3.00 x 8 - 2mm 2-piece wheel. Suitable for mowers, slashers, baggage trolleys and ground support vehicles.

SINGLE PC FIXED CENTRE WHEELS



DIAMETER					
15	8mm / 10mm				
16	8mm / 10mm				6mm
16.1	8mm / 10mm				
16.5	8mm / 10mm				
17	10mm / 12mm				
17.5	10mm / 12mm				
18	10mm / 12mm				
19.5	10mm / 12mm				
20	12mm / 16mm		16mm		
22.5	12mm / 16mm		16mm		
24	12mm / 16mm	12mm	16mm		12mm
26	16mm	12mm / 16mm	16mm		
26.5	16mm				
28	16mm	12mm / 16mm			
30		16mm			
30.5	16mm				
32	16mm			16mm	
34				16mm	
36	16mm			16mm	
38	16mm			16mm	
40	16mm			16mm	16mm
42	16mm			16mm	16mm
44				16mm	16mm
46				16mm	16mm
48				16mm	16mm
50				16mm	16mm
52				20mm	20mm
54				20mm	20mm

TYRE & WHEEL ASSEMBLIES FOR TRAILERS

PART NUMBER	TYRE & WHEEL ASSEMBLIES	TYRE	WHEEL
TWA0317	155R13C on 4.5 x 13 FORD Galvanised Wheel	TA01094	TA00199
TWA0305	165R13LT on 4.5 x 13 FORD White Wheel	TA00884	TA00198
TWA0315	165R13LT on 4.5 x 13 FORD Galvanised Wheel	TA00884	TA00199
TWA0171	185R14C on 6 x 14 FORD White Wheel	TA00508	TA00192
TWA0204	185R14C on 6 x 14 FORD Galvanised Wheel	TA00508	TA00193
TWA0170	185R14C on 6 x 14 FORD Wheel	TA00508	TA00187
TWA0179	195R14C on 6 x 14 FORD White Wheel	TA00509	TA00192
TWA0073	195R14C on 6 x 14 FORD Galvanised Wheel	TA00509	TA00193
TWA0191	235/75R15LT on 7 x 15 TOYOTA White Wheel	TA00510	TA00194
TWA0295	31 x 10.50R15LT on 7 x 15 TOYOTA White Wheel	TA00514	TA00194
TWA0228	31 x 10.50R15LT on 8 x 15 TOYOTA White Wheel	TA00514	TA00195
TWA0323	245/75R16LT on 7 x 16 TOYOTA White Wheel	TA00885	TA00700
TWA0657	7.50R16 on 2 Piece TOYOTA Silver Wheels	TA03099	TA01062
TWA0353	185R14C on 6 x 14 TOYOTA White Wheel	TA00508	TA01111
TWA0333	185R14C on 6 x 14 TOYOTA Wheel HT	TA00508	TA00892

SINGLE PC FIXED CENTRE WHEELS CONTINUED

PART NUMBER	SIZE	PCD	BORE	OFFSET	FINISH
TA00196	4.00 x 12	Ford 5/114.3mm	83mm	+3mm	White 2 Stripe
TA00198	4.50 x 13	Ford 5/114.3mm	83mm	-7mm	White 2 Stripe
TA00199	4.50 x 13	Ford 5/114.3mm	83mm	-7mm	Galvanised
TA01062	5.50 x 16	Toyota 6/139.7mm			Silver 2 Piece
TA00892	6.00 x 14	HT 5/107.95mm	68mm	+10mm	White 2 Stripe
TA01167	6.00 x 14	HQ 5/120.65mm	83.7mm	+12mm	White 2 Stripe
TA00192	6.00 x 14	Ford 5/114.3mm	83.7mm	-2.5mm	White 2 Stripe
TA00193	6.00 x 14	Ford 5/114.3mm	83.7mm	-2.5mm	Galvanised
TA01111	6.00 x 14	Toyota 6/139.7mm	108.7mm	0	White 2 Stripe
TA00187	6.00 x 14	Ford 5/114.3mm	83mm	+10mm	White 2 Stripe
TA00187 - B	6.00 x 14	Ford 5/114.3mm	83mm	+10mm	Black 2 Stripe
TA00194	7.00 x 15	Toyota 6/139.7mm	108.7mm	+7mm	White 2 Stripe
TA01138	7.00 x 15	Toyota 6/139.7mm	108.7mm	0	Silver
TA00700	7.00 x 16	Toyota 6/139.7mm	108.7mm	+20mm	White 2 Stripe
TA00195	8.00 x 15	Toyota 6/139.7mm	108.7mm	-22mm	White 2 Stripe
TA00497	8.00 x 16	Toyota 6/139.7mm	108.7mm	-22mm	White 2 Stripe

AGRICULTURAL WHEELS

TYRE SIZE	WHEEL SIZE	DESCRIPTION
5.00 x 10	3.50 x 10	Disc Wheel
5.70 x 12	4.00 x 12	Disc Wheel
23/8.50 x 12	7.00 x 12	Disc Wheel
23/9.50 x 12	8.50 x 12	Disc Wheel
23/9.50 x 12	9.5 x 12	Disc Wheel
26/12.00 x 12	10.50 x 12	Disc Wheel
165SR13	4.50 x 13	Disc Wheel
9.5L x 14	6.00 x 14	Disc Wheel
9.5L x 14	7.00 x 14	Disc Wheel
25/7.50 x 15	6.00 x 15	Disc Wheel
7.50 x 15	6.00 x 15	Disc Wheel
8.25 x 15	7.00 x 15	Disc Wheel
27/9.50 x 15	8.00 x 15	Disc Wheel
11L x 15	8.00 x 15	Disc Wheel
11L x 15	9.00 x 15	Disc Wheel
31/13.50 x 15	10.00 x 15	Disc Wheel
31/15.50 x 15	13.00 x 15	Disc Wheel
11.5/80 x 15.3	9.00 x 15.3	Disc Wheel
400/60 x 15.5	13.00 x 15.5	Disc Wheel
6.00 x 16	4.50 x 16	Disc Wheel
7.50 x 16	5.50 x 16	Disc Wheel
8.25 x 16	6.50 x 16	Disc Wheel
10L x 16	W8 x 16	Disc Wheel
10.00 x 16	8.00 x 16	Disc Wheel
11L x 16	W10 x 16	Disc Wheel
10.00 x 16	8.00 x 16 (Heavy Duty)	Disc Wheel
11L x 16	9.00 x 16	Disc Wheel
14L x 16.1	11.00 x 16.1	Disc Wheel
16.5 x 16.1	14.00 x 16.1	Disc Wheel
21.5L x 16.1	16.00 x 16.1	Disc Wheel
10.5 x 16.5	8.25 x 16.5	Disc Wheel
12 x 16.5	9.75 x 16.5	Disc Wheel
33/15.5 x 16.5	12.00 x 16.5	Disc Wheel
19.00 x 17	16.00 x 17 6.75 x 17.5	Disc Wheel
14.00 x 17.5	10.75 x 17.5	Disc Wheel
14.00 x 17.5	11.75 x 17.5	Disc Wheel
7.50 x 18	5.5 x 18	Disc Wheel
10.5/80 x 18	9.00 x 18	Disc Wheel
10.5/80 x 18	W9 x 18	Disc Wheel

TYRE SIZE	WHEEL SIZE	DESCRIPTION
12.5/80 x 18	9.00 x 18	Disc Wheel
13.0/65 x 18	11.00 x 18	Disc Wheel
4.50 x 19	3.00 x 19	Flat Plate
285/70 x 19.5	7.50 x 19.5	Disc Wheel
15.0 x 19.5	14.00 x 19.5	Disc Wheel
7.50 x 20	5.50 x 20	Disc Wheel
10.00 x 20	8.00 x 20	Disc Wheel
12.00 x 20	10.00 x 20	Disc Wheel
12.4 x 20	W11 x 20	Disc Wheel
16.0/70 x 20	13.00 x 20	Disc Wheel
38/18 x 20	13.00 x 20	Disc Wheel
38/18 x 20	14.00 x 20	Disc Wheel
24R21	18.00 x 21	Flat Plate
385/65 x 22.5	11.75 x 22.5	Disc Wheel
385/65 x 22.5	11.75 x 22.5	WIL 8/275
480/70 x 22.5	14.00 x 22.5	Disc Wheel
500/60 x 22.5	16.00 x 22.5	Disc Wheel
600/50 x 22.5	20.00 x 22.5	Disc Wheel
700/40 x 22.5	24.00 x 22.5	Disc Wheel Rim + Lugs
12.00 x 24	10DC x 24	Disc Wheel
11.2 x 24	W10 x 24	Disc Wheel Rim + Lugs
14.9 x 24	W12 x 24	Disc Wheel Rim + Lugs
14.9 x 24	DW13 x 24	Disc Wheel Rim + Lugs
16.9 x 24	W15 x 24	Disc Wheel Lugged Omega (HD) Rim + Lugs
18.4 x 24	DW16 x 24	Disc Wheel
66/43 x 25	36.00 x 25	Disc Wheel
14.9 x 26	DW12 x 26	Disc Wheel Lugged Ring Lugged Omega (HD)
16.9 x 26	W15 x 26	Disc Wheel
18.4 x 26	DW16 x 26	Disc Wheel
18.4 x 26	16.00 x 26	3 Piece Disc Wheel
23.1 x 26	DW20 x 26	Disc Wheel
23.1 x 26	20.00 x 26	3 Piece Disc Wheel
28L x 26	DW25 x 26	Disc Wheel
28L x 26	25.00 x 26	3 Piece Disc Wheel
500/60 x 26.5	16.00 x 26.5	Disc Wheel
700/60 x 26.5	24.00 x 26.5	Disc Wheel
600/55 x 26.5	20.00 x 26.5	Disc Wheel
800/45 x 26.5	28.00 x 26.5	Disc Wheel
9.5 x 28	W8 x 28	Disc Wheel

AGRICULTURAL WHEELS

TYRE SIZE	WHEEL SIZE	DESCRIPTION
11.2 x 28	W10 x 28	Disc Wheel Rim + Lugs
12.4 x 28	W11 x 28	Disc Wheel Rim + Lugs
13.6 x 28 14.9 x 28	W12 x 28	Disc Wheel Rim + Lugs
16.9 x 28	W15 x 28	Disc Wheel Rim + Lugs
18.4 x 28	W16 x 28	Disc Wheel Rim + Lugs
21L x 28	DW18 x 28	Disc Wheel
600/65 x 28	DW20 x 28	Disc Wheel
14.9 x 30	DW12 x 30	Disc Wheel
18.4 x 30	DW16 x 30	Disc Wheel
480/70 x 30	DW16 x 30	Lugged Omega (HD) Rim + Lugs
23.1 x 30	DW20 x 30	Disc Wheel
600/55 x 30.5	20.00 x 30.5	Disc Wheel
700/50 x 30.5	24.00 x 30.5	Disc Wheel
800/50 x 30.5	28.00 x 30.5	Disc Wheel
8.3 x 32	W7 x 32	Disc Wheel Rim + Lugs
12.4 x 32	W10 x 32	Disc Wheel Rim + Lugs Lugged Omega (HD)
23.1 x 32	DW20 x 32	Disc Wheel
24.5 x 32	DW21 x 32	Disc Wheel
650/75 x 32	DW21 x 32	Welded Outer
30.5 x 32	DW27 x 32	Disc Wheel
24.5 x 32	DH21 x 32	Disc Wheel Welded Outer
30.5 x 32	DH27 x 32 (Reinforced)	Disc Wheel
24.5 x 32	21 x 32 3 Piece	3 Piece Disc Wheel
30.5 x 32	27 x 32 3 Piece	Disc Wheel
35.5 x 32	31 x 32 3 Piece	Disc Wheel
12.4 x 34	DW10 x 34	Disc Wheel Rim + Lugs
16.9 x 34	W15 x 34	Disc Wheel Rim + Lugs
18.4 x 34	DW16 x 34	Disc Wheel Rim + Lugs
23.1 x 34	DW20 x 34	Disc Wheel
23.1 x 34	DW20 x 34	Welded Outer
9.5 x 36	W8 x 36	Disc Wheel Lugged Omega (HD)
11.2 x 36	W10 x 36	Disc Wheel Lugged Omega (HD)
14.9 x 36	W11 x 36	Disc Wheel Lugged Omega (HD)
14.9 x 36	W12 x 36	Disc Wheel Lugged Omega (HD)
11.2 x 38	W10 x 38	Disc Wheel Lugged Omega (HD)
12.4 x 38	W11 x 38	Disc Wheel Lugged Omega (HD)
13.6 x 38 14.9 x 38	DW12 x 38	Disc Wheel Lugged Omega (HD) Rim + Lugs
16.9 x 38 540/65 x 38	DW15 x 38	Disc Wheel Lugged Omega (HD) Rim + Lugs
18.4 x 38	W16 x 38	Disc Wheel

TYRE SIZE	WHEEL SIZE	DESCRIPTION
20.8 x 38 600/65 x 38	DW18 x 38	Disc Wheel Welded Outer
650/65 x 38	DW20 x 38	Disc Wheel
710/70R38	MW23 x 38	Disc Wheel Welded Outer
800/70 x 38	DW25 x 38	Disc Wheel
8.3 x 42	W8 x 42	Disc Wheel Rim + Lugs
11.2 x 42	W10 x 42	Disc Wheel Rim + Lugs
18.4 x 42	DW16 x 42	Disc Wheel Welded Outer
20.8 x 42	DW18 x 42	Disc Wheel Welded Outer
620/70 x 42	DW20 x 42	Disc Wheel Welded Outer
710/70 x 42	DW23 x 42	Disc Wheel Welded Outer
900/60 x 42	DW27 x 42	Disc Wheel
10.00 x 44	W8 x 44	Disc Wheel Lugged Omega (HD)
12.4 x 44	W10 x 44	Disc Wheel Lugged Omega (HD)
11.2 x 46	DW10 x 46	Disc Wheel Lugged Omega (HD)
12.4 x 46	DW12 x 46	Disc Wheel Lugged Omega (HD)
14.9 x 46	DW13 x 46	Disc Wheel Lugged Omega (HD)
18.4 x 46 520/85 x 46	DW16 x 46	Disc Wheel
9.5 x 48	W8 x 48	Disc Wheel Lugged Omega (HD)
11.2 x 48	W10 x 48	Disc Wheel Lugged Omega (HD)
13.6 x 48	W12 x 48	Disc Wheel Lugged Omega (HD)
12.4 x 50	DW10 x 50	Disc Wheel Lugged Omega (HD)
18.4 x 50	DW16 x 50	Disc Wheel
12.4 x 52	W10 x 52	Disc Wheel Lugged Omega (HD)
12.4 x 54	DW10 x 54	Disc Wheel Lugged Omega (HD)
14.9 x 54	W12 x 54	Disc Wheel Lugged Omega (HD)

Note: Lugged Omega means Heavy Duty.

OTR - Tyres Wheels Axles manufactures and supplies Australia's largest range of agricultural wheels. The wheels listed in this catalogue are an indication of the range.

If you have a requirement for any size agricultural wheel please contact our Customer Service Department on **1300 CALL OTR**.

AGRICULTURAL RIMS

TYRE SIZE	RIM SIZE	DESCRIPTION
5.00 x 10	3.50 x 10	Rim
5.70 x 12	4.00 x 12	Rim
23/8.50 x 12	7.00 x 12	Rim
23/9.50 x 12	8.50 x 12	Rim
26/12.00 x 12	10.50 x 12	Rim
9.5L x 14	6.00 x 14	Rim
9.5L x 14	7.00 x 14	Rim
7.50 x 15	6.00 x 15	Rim
8.25 x 15	7.00 x 15	Rim
27/9.50 x 15 11L x 15	8.00 x 15	Rim
11L x 15	9.00 x 15	Rim
31/13.50 x 15	10.00 x 15	Rim
31/15.50 x 15	13.00 x 15	Rim
11.5/80 x 15.3	9.00 x 15.3	Rim
400/60 x 15.5	13.00 x 15.5	Rim
6.00 x 16	4.50 x 16	Rim
7.50 x 16	5.50 x 16 (Heavy Duty)	Rim
8.25 x 16	6.50 x 16	Rim
10L x 16	W8 x 16	Rim
10.00 x 16	8.00 x 16 (Heavy Duty)	Rim
11L x 16	9.00 x 16	Rim
16.5 x 16.1	14.00 x 16.1	Rim
21.5L x 16.1	16.00 x 16.1	Rim
10.5 x 16.5	8.25 x 16.5	Rim
12 x 16.5	9.75 x 16.5	Rim
19.00 x 17	16.00 x 17	Rim
14.00 x 17.5	11.75 x 17.5	Rim
7.50 x 18	5.50 x 18	Rim
10.5/80 x 18	9.00 x 18	Rim
13.0/65 x 18	11.00 x 18	Rim
4.50 x 19	3.00 x 19	Rim
245/70 x 19.5	7.50 x 19.5	Rim
285/70 x 19.5	8.25 x 19.5	Rim
15.0 x 19.5	14.00 x 19.5	Rim
7.50 x 20	5.50 x 20	Rim
10.00 x 20	8.00 x 20	Rim
12.00 x 20	10.00 x 20	Rim
12.4 x 20	11 x 20	Rim
16.0/70 x 20	13.00 x 20	Rim

TYRE SIZE	RIM SIZE	DESCRIPTION
24R21	18.00 x 21 (3 Piece)	Rim
385/65 x 22.5	11.75 x 22.5	Rim
480/70 x 22.5	14.00 x 22.5	Rim
500/60 x 22.5	16.00 x 22.5	Rim
600/50 x 22.5	20.00 x 22.5	Rim
700/40 x 22.5	24.00 x 22.5	Rim
9.5 x 24	W8 x 24	Rim
12.00 x 24	10DC x 24	Rim
11.2 x 24	W10 x 24	Rim
14.9 x 24	W12 x 24	Rim
14.9 x 24	DW13 x 24	Rim
16.9 x 24	W15 x 24	Rim
18.4 x 24	DW16 x 24	Rim
15.5 x 25	12DC x 25	Rim
66/43 x 25	36.00 x 25	Rim
14.9 x 26	DW12 x 26	Rim
16.9 x 26	W15 x 26	Rim
18.4 x 26	DW16 x 26	Rim
23.1 x 26	DW20 x 26	Rim
28L x 26	DW25 x 26	Rim
500/60 x 26.5	16.00 x 26.5	Rim
600/55 x 26.5	20.00 x 26.5	Rim
775/80 x 26.5	24.00 x 26.5	Rim
800/45 x 26.5	28.00 x 26.5	Rim
9.5 x 28	W8 x 28	Rim
11.2 x 28	W10 x 28	Rim
13.6 x 28	W12 x 28	Rim
16.9 x 28 480/70 x 28	W15 x 28	Rim
540/65 x 28	W16 x 28	Rim
600/65 x 28	DW20 x 28	Rim
14.9 x 30	DW12 x 30	Rim
16.9 x 30	DW14 x 30	Rim
18.4 x 30	DW16 x 30	Rim
23.1 x 30	DW20 x 30	Rim
600/55 x 30.5	20.00 x 30.5	Rim
700/50 x 30.5	24.00 x 30.5	Rim
800/50 x 30.5	28.00 x 30.5	Rim
8.3 x 32	W7 x 32	Rim
12.4 x 32	W10 x 32	Rim

AGRICULTURAL RIMS

TYRE SIZE	RIM SIZE	DESCRIPTION
23.1 x 32	DW20 x 32	Rim
24.5 x 32	DW21 x 32	Rim
24.5 x 32	21.00 x 32 (3 Piece)	Rim
24.5 x 32	DH21 x 32	Rim
30.5 x 32 800/65 x 32	DW27 x 32	Rim
30.5 x 32	DH27 x 32 (Reinforced)	Rim
30.5 x 32	27.00 x 32 (3 Piece)	Rim
35.5 x 32	31 x 32	Rim
12.4 x 34	DW10 x 34	Rim
16.9 x 34	W15 x 34	Rim
18.4 x 32	DW16 x 34	Rim
23.1 x 34	DW20 x 34	Rim
710/75 x 34	DW23 x 34	Rim
9.5 x 36	W8 x 36	Rim
11.2 x 36	W10 x 36	Rim
14.9 x 36	W11 x 36	Rim
14.9 x 36	W12 x 36	Rim
11.2 x 38	W10 x 38	Rim
11.2 x 38	DW10 x 38	Rim
12.4 x 38	W11 x 38	Rim
13.6 x 38	W12 x 38	Rim
14.9 x 38	DW12 x 38	Rim
16.9 x 38 540/65 x 38	DW15 x 38	Rim
18.4 x 38	W16 x 38	Rim
20.8 x 38	W18 x 38	Rim
20.8 x 38 600/65 x 38	DW18 x 38	Rim
650/65 x 38	DW20 x 38	Rim
710/70 x 38	DW23 x 38	Rim
800/70 x 38	DW25 x 38	Rim
11.2 x 42	W10 x 42	Rim
18.4 x 42	DW16 x 42	Rim
20.8 x 42	DW18 x 42	Rim
620/70 x 42	DW20 x 42	Rim
710/70 x 42	DW23 x 42	Rim
900/60 x 42	DW27 x 42	Rim
8.2 x 44	W7 x 44	Rim
10.00 x 44	W8 x 44	Rim
12.4 x 44	W10 x 44	Rim
11.2 x 46	W10 x 46	Rim

TYRE SIZE	RIM SIZE	DESCRIPTION
11.2 x 46	DW10 x 46	Rim
12.4 x 46	W12 x 46	Rim
12.4 x 46	DW12 x 46	Rim
14.9 x 46	DW13 x 46	Rim
18.4 x 46	DW16 x 46	Rim
9.5 x 48	W8 x 48	Rim
11.2 x 48	W10 x 48	Rim
13.6 x 48	W12 x 48	Rim
12.4 x 50	DW10 x 50	Rim
18.4 x 50	DW16 x 50	Rim
12.4 x 52	W10 x 52	Rim
12.4 x 54	W10 x 54	Rim
12.4 x 54	DW10 x 54	Rim
14.9 x 54	W12 x 54	Rim

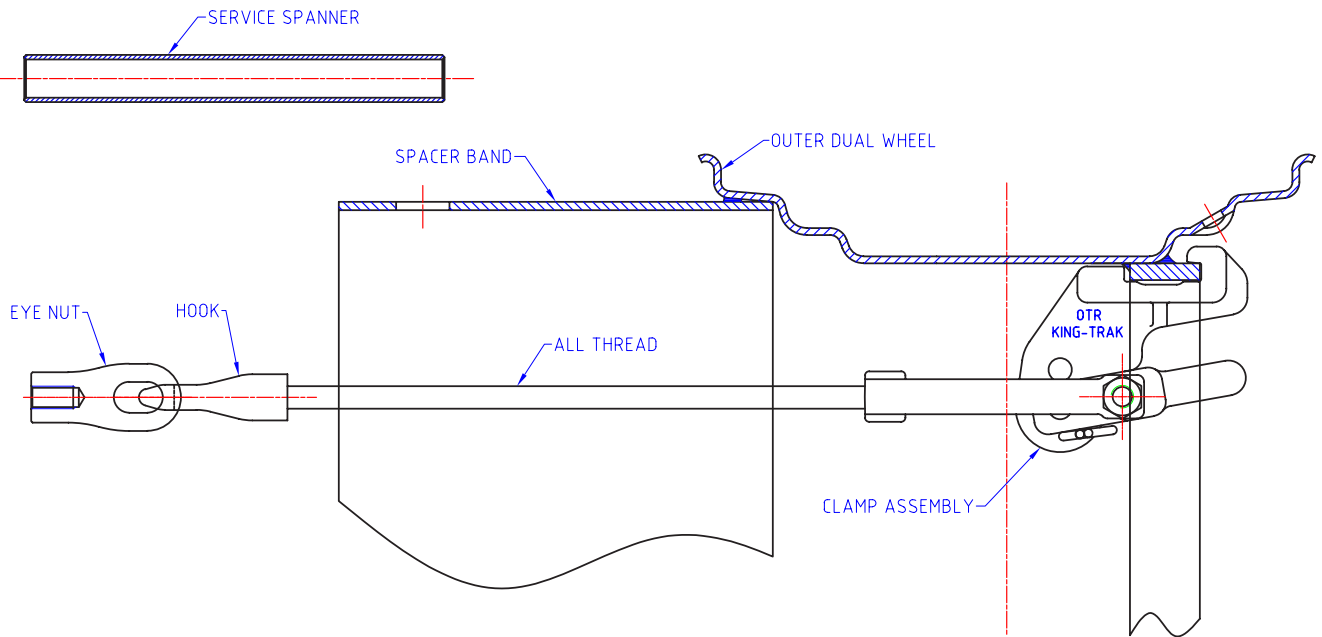
Note: OTR - Tyres Wheels Axles manufactures and supplies Australia's largest range of agricultural rims. The rims listed in this catalogue are an indication of the range.

If you have a requirement for any size agricultural rim please contact our Customer Service department on **1300 CALL OTR**.

ADJUSTABLE WHEEL ASSEMBLIES

RIM SIZE	OMEGA LUGS	RIM LUGS	HD OMEGA	OTHER DETAILS
W20	5 Omega lugs fitted to rim			Pressed centre, bored and drilled bolts, painted
		5 Rim lugs fitted to reinforced well		Pressed centre, bored and drilled
			5 HD Omega lugs fitted to rim	Pressed centre, bored and drilled bolts, painted
W24 DW26	6 Omega lugs fitted to rim			Pressed centre, bored and drilled bolts, painted
			6 HD Omega lugs fitted to rim	Pressed centre, bored and drilled bolts, painted
	8 Omega lugs fitted to rim			Pressed centre, bored and drilled bolts, painted
			8 HD Omega lugs fitted to rim	Pressed centre, bored and drilled bolts, painted
		6 Rim lugs fitted to reinforced well		Pressed centre, bored and drilled bolts, painted
		8 Rim lugs fitted to reinforced well		Pressed centre, bored and drilled bolts, painted
W28 DW30	6 Omega lugs fitted to rim			Pressed centre, bored and drilled bolts, painted
			6 HD Omega lugs fitted to rim	Pressed centre, bored and drilled bolts, painted
	8 Omega lugs fitted to rim			Pressed centre, bored and drilled bolts, painted
			8 HD Omega lugs fitted to rim	Pressed centre, bored and drilled bolts, painted
		6 Rim lugs fitted to reinforced well		Pressed centre, bored and drilled bolts, painted
		8 Rim lugs fitted to reinforced well		Pressed centre, bored and drilled bolts, painted
W32 DW34			6 HD Omega lugs fitted to rim	Pressed centre, bored and drilled bolts, painted
			8 HD Omega lugs fitted to rim	Pressed centre, bored and drilled bolts, painted
		6 Rim lugs fitted to reinforced well		Pressed centre, bored and drilled bolts, painted
		8 Rim lugs fitted to reinforced well		Pressed centre, bored and drilled bolts, painted
W34		6 Rim lugs fitted to reinforced well		Pressed centre, bored and drilled bolts, painted
			6 HD Omega lugs fitted to rim	Pressed centre, bored and drilled bolts, painted
			8 HD Omega lugs fitted to rim	Pressed centre, bored and drilled bolts, painted
		8 Rim lugs fitted to reinforced well		Pressed centre, bored and drilled bolts, painted
W36 DW38			8 HD Omega lugs fitted to rim	Pressed centre, bored and drilled bolts, painted
		8 Rim lugs fitted to reinforced well		Pressed centre, bored and drilled bolts, painted
W38			8 HD Omega lugs fitted to rim	Pressed centre, bored and drilled bolts, painted
		8 Rim lugs		16mm heavy duty pressed centre bored, drilled, reinforced well bolts, painted
W40 DW42		8 Rim lugs	16mm heavy duty pressed centre bored, drilled, reinforced well bolts, painted	
W42		8 Rim lugs	16mm heavy duty pressed centre bored, drilled, reinforced well bolts, painted	
W44 DW46		8 Rim lugs	16mm heavy duty pressed centre bored, drilled, reinforced well bolts, painted	
W46		8 Rim lugs	16mm heavy duty pressed centre bored, drilled, reinforced well bolts, painted	
W48 DW50		8 Rim lugs	16mm heavy duty pressed centre bored, drilled, reinforced well bolts, painted	
W52 DW54		8 Rim lugs	16mm heavy duty pressed centre bored, drilled, reinforced well bolts, painted	
W54		8 Rim lugs	16mm heavy duty pressed centre bored, drilled, reinforced well bolts, painted	

TYPICAL DUAL WHEEL KIT ASSEMBLY



OUTER DUAL WHEEL	QTY: 2
SERVICE SPANNER	QTY: 1

EYE NUT	QTY: 12
HOOK	QTY: 12

ALL THREAD	QTY: 12
CLAMP ASSEMBLY	QTY: 2

SPACER BARREL	QTY: 2
POWER RAIL	QTY: 2



KING TRACK DUAL WHEEL KITS

RIM PART NUMBER	RIM DIMENSION	CLAMP SETS	BAR LENGTH	APX DUAL SPACE	TRACTOR TYRE	DUAL TYRE
600.003.010	15 x 10LB BOLT ON	4	30	402	-	-
600.066.010	18 x 9 BOLT ON	4	30	419	10.00 x 18	10.00 x 18
600.025.010	18 x W11 BOLT ON	4	30	471	14.0 x 18	14.0 x 18
600.115.010	20 x W10	4	30	431	-	-
600.130.010	22.5 x 11.75	6	30	428	-	-
600.113.010	22.5 x 8.25	4	30	329	-	-
600.120.010	24 x W8	4	30	271	-	8.3 x 24
600.112.010	24 x W10	6	30	377	-	12.4 x 24
600.022.010	24 x W12	6	30	499	14.9R x 24	14.9R x 24
600.089.010	24 x Q15L	6	30	557	16.9 x 24	16.9 x 24
600.078.010	26 x DW12	6	30	485	13.6 x 26	13.6 x 26
600.015.010	26 x DW20	12	30	754	23.1 x 26	23.1 x 26
600.006.010	28 x W10	6	30	454	12.4R x 28	12.4R x 28
600.007.010	28 x W12	6	30	540	420/70R28	420/70R28
600.033.010	28 x W15L	12	30	587	16.9 x 28	16.9 x 28
600.035.010	30 x DW14	8	30	490	16.9 x 30	16.9 x 30
600.079.010	30 x DW15L	8	30	590	-	-
600.137.010	30 x DW15L	8	30	607	-	-
600.036.010	30 x DW16	8	30	585	18.4 x 30	18.4 x 30
600.037.010	30 x DW20	12	30	754	23.1 x 30	23.1 x 30
600.105.010	32 x DH27	12	50	941	-	-
600.016.010	32 x DW20A	12	30	752	23.1 x 32	23.1 x 32
600.038.010	32 x DW21	12	30	790	24.5 x 32	24.5 x 32
600.039.010	32 x DW27	12	30	942	30.5 x 32	30.5 x 32
600.040.010	34 x DW16	8	30	604	18.4 x 34	18.4 x 34
600.041.010	34 x DW20	12	30	724	23.1 x 34	23.1 x 34
600.017.010	34 x DW20A (SD32)	12	30	756	24.5 x 32	23.1 x 34
600.065.010	34 x W15L	8	30	561	16.9 x 34	16.9 x 34
600.127.010	34 x W15L	12	30	790	-	-
600.141.010	36 x W10	12	30	762	11.2 x 36	11.2 x 36
600.044.010	38 x DW12	8	30	497	13.6 x 38	13.6 x 38
600.110.010	38 x DW12 (SD34)	12	30	571	-	13.6 x 38
600.045.010	38 x DW12 (SD34)	8	30	553	18.4 x 34	13.6 x 38
600.095.010	38 x DW15 (SD32)	12	30	638	24.5 x 32	18.4 x 38
600.030.010	38 x DW15L	12	30	571	16.9 x 38	16.9 x 38
600.125.010	38 x W18	12	30	674	20.8R x 38	20.8R x 38
600.108.010	38 x DW23A	12	30	851	-	-
600.057.010	38 x W10	8	30	434	11.2 x 38	11.2 x 38
600.013.010	38 x W12 (SD34)	12	30	313	-	-

RIM PART NUMBER	RIM DIMENSION	CLAMP SETS	BAR LENGTH	APX DUAL SPACE	TRACTOR TYRE	DUAL TYRE
600.213.010	38 x W12	8	30	500	13.6 x 38	13.6 x 38
600.232.010	38 x DW15	12	30	637	18.4 x 38	18.4 x 38
600.082.010	38 x W16	12	30	633	-	-
600.091.010	38 x W16	12	30	637	-	-
600.147.010	38 x W16	12	30	582	-	-
600.004.010	38 x W16L (SD32)	12	30	670	24.5 x 32	18.4 x 38
600.073.010	38 x W16L (SD32)	12	50	836	24.5R x 32	18.4R x 38
600.049.010	38 x W16L (SD34)	12	30	852	23.1 x 34	18.4 x 38
600.126.010	38 x W16L (SD32)	12	30	582	30.5R x 32	1.4R x 38
600.050.010	38 x W18L	12	30	674	20.8 x 38	20.8 x 38
600.080.010	38 x W18L	12	30	726	20.8R x 38	20.8R x 38
600.051.010	38 x W18L (SD32)	12	30	755	30.5 x 32	20.8 x 38
600.084.010	42 x DW12L	12	30	593	13.6R x 42	13.6R x 42
600.001.010	42 x DW16L	12	30	633	18.4 x 42	18.4 x 42
600.134.010	42 x DW16L	12	30	603	18.4 x 42	18.4 x 42
600.139.010	42 x DW16L	12	30	633	18.4 x 42	18.4 x 42
600.129.010	42 x DW18L	12	30	654	20.8 x 42	20.8 x 42
600.107.010	42 x DW20	12	30	795	-	-
600.124.010	42 x DW23	12	50	934	710/70R42	710/70R42
600.014.010	46 x DW12	12	30	485	13.6 x 46	13.6 x 46
600.131.010	46 x DW12	12	30	530	14.9R x 46	14.9R x 46
600.092.010	46 x DW13	12	30	492	14.9 x 46	14.9 x 46
600.258.010	46 x DW16	12	30	603	18.4 x 46	18.4 x 46
600.077.010	46 x W10	12	30	400	11.2 x 46	11.2 x 46
600.043.010	48 x W10	12	30	443	12.4 x 48	12.4 x 48
600.140.010	48 x W12	12	30	762	13.6 x 48	13.6 x 48
600.142.010	48 x W12	12	30	450	13.6 x 48	13.6 x 48
600.257.010	50 x DW10	12	30	450	-	-

Note: Kits do not include tyres.

Step Down - Outer wheel is smaller & will only start to work as the inner sinks into the ground.

SD - Step Down Kits - A specification sheet showing the details of the existing inner wheel must be completed before a firm price can be given or work commenced.

Please specify required eye nut thread when ordering. Above list is a guide only. Kits are made to order to suit customers' needs. 400 Horsepower tractor maximum.

FITTING KING TRACK DUALS



1. Fitting of dual wheels is made simpler by driving the tractor wheel on to a block of wood. Do not position the tractor in a place where you may become trapped if the Dual Wheel falls over.



2. Plan the positioning of the eye nuts so that they are as evenly spaced around the wheel as possible.



5. Try a clamp and hook assembly as shown. Adjust the assembly length to fit. It may be necessary to cut the hook with a hacksaw if sufficient adjustment is not available (remember the adage - measure twice, cut once).



6. Adjust each assembly as shown to give a tight fit and positive over centre snap action. As the wheel draws into the taper it will be necessary to keep shortening the clamp assembly.

SAFETY

Dual wheels are not designed for road use and in many cases contravene the road traffic laws. Regularly check the clamp tension to ensure the wheel is securely attached. Dual wheels are heavy, do not put yourself in a position where you may be trapped if the wheel gets out of control, when either fitting or removing. Do realize the largest sizes can weigh in excess of half a ton.

If stored in an upright position, ensure that they are adequately secured. Do take care, the over centre action both when fastening and unfastening the clamp is very strong. Do not allow the handle to strike you.

OPERATION TIPS

The tyre pressure of the Dual Wheel should be about 2 PSI less than the

pressure in the tractor tyre. Excessive use of steering brakes increases loads on the dual and tractor wheels.

FITTING NOTES

1. The number of clamps supplied by us is adequate for the wheels size concerned. The number of clamps for each particular size of wheel is shown on our current price list. Comparison cannot be made with the number of fitting points used by our competitors as our fittings are far stronger than any others.
2. The number of eye nuts may not divide equally into the number of rim to disc bolts on the tractor wheel. This will not allow even spacing around the rim. Performance of the wheels will not be affected by uneven spacing.
3. Eye nuts are supplied in a wide

variety of threads. The eye nuts supplied to you will suit the rim to disc bolt normally used by the manufacturer of your tractor. Occasionally the tractor manufacturer will fit bolts with a thread different from their specified thread. Should this arise we will exchange the eye nuts or supply blank eye nuts.

4. Vehicles with welded in centre discs i.e. no rim to disc bolts must either have holes drilled through the disc or use special weld on eye nuts.

Drilling Providing the centre disc is flat or has only a shallow dish, then holes should be drilled equally spaced around the circumference, 1 1/2" in from the wheel rim. Bolts are placed through these holes and the eye nuts screw to these bolts.



3. Tighten the eye nuts as tightly as possible using a steel tommy bar over.



4. Roll the dual wheel alongside the tractor wheel. Enter the spacer band of the dual wheel into the taper section of the tractor wheel.



7. When the wheel is firmly into the bottom of the taper, the correct tension is produced by one man using full strength, only with the lever supplied, giving a strong over centre action. Now fit the 'R' clip locking pin.



8. During the first few hours work the wheels bed in and further tightening of the clamps will be necessary. Check the clamp tension regularly.

Welding Certain vehicles must use weld on eye nuts (JCB Fastrac); others with a deep dished disc will benefit from this method (MB Trac). Supplementary fitting instructions are available illustrating this method.

5. When using high speed vehicles with bolt in centres it is advisable to replace the rim to disc bolts with similar but longer bolts to allow the normal nut to be tightened to the correct torque. Then the OTR eye nut may be fitted to the remaining thread. These longer bolts must be grade 10.9.

6. It may be necessary to turn the rim to disc bolts around. If the bolt has either a square shank or a pip on the side of the head this should be ground off. This will not adversely affect the operation of the bolt.

7. On the Ford TW range of tractors it is possible to use the existing rail clamp bolts for fitting the eye nuts. Alternatively 3/4" UNG bolts may be fitted in existing holes in the centre casting in which case appropriate eye nuts should be ordered.

8. OTR Dual is designed so that torque is transmitted from the eye nut on the tractor wheel through the clamps to the power rail on the Dual Wheels. When torque is initially applied to the dual it will rotate slightly twisting the clamp assemblies out of square with the power rail. The claw part of the clamp is precision machined to a taper so that it jams on the power rail when out of square. Therefore, when the clamps appear to be attempting to rotate around the Dual Wheel the system is working

satisfactorily.

9. To remove the wheels from the tractor, drive the tractor onto a block thereby taking the weight off the Dual Wheel. Remove all but the uppermost clamp. Insert the tubular handle through the lowermost hole in the spacer band and lever off against the tractor wheel. Once the wheel is loose, remove the uppermost clamp and lever off through the other hole in the spacer band. Store the wheels safely and securely.

For a video of how to fit King Track Duals simply visit

https://youtu.be/yPSCFU_Z9uk

FORESTRY WHEELS

TYRE SIZE	WHEEL SIZE	DESCRIPTION
500/60 x 22.5	16.00 x 22.5	1 Piece Wheel
600/50 x 22.5	20.00 x 22.5	1 Piece Wheel
700/40 x 22.5	24.00 x 22.5	1 Piece Wheel
18.4 x 26	DWA16 x 26	1 Piece Wheel
23.1 x 26	DWA20 x 26	1 Piece Wheel
28L x 26	DWA25 x 26	1 Piece Wheel
500/60 x 26.5	16.00 x 26.5	1 Piece Wheel
600/50 x 26.5	20.00 x 26.5	1 Piece Wheel
700/60 x 26.5	24.00 x 26.5	1 Piece Wheel
24.5 x 32	DH21 x 32	1 Piece Wheel
30.5 x 32	DH27 x 32	1 Piece Wheel
35.5 x 32	DH31 x 32	1 Piece Wheel
73/44.00 x 32	DH36 x 32	1 Piece Wheel
68/50.00 x 32	DH42 x 32	1 Piece Wheel
18.4 x 34	DWA16 x 34	1 Piece Wheel
23.1 x 34	DWA20 x 34	1 Piece Wheel
48/31.00 x 20	26.00VF x 20	3 Piece Wheel
17.5 x 25	14.00T x 25	3 Piece Wheel
20.5 x 25	17.00T x 25	3 Piece Wheel
67/34.00 x 25	30.00TH x 25	3 Piece Wheel
54/37.00 x 25	32.00TH x 25	3 Piece Wheel
66/43 x 25	36.00TH x 25	3 Piece Wheel
24.5 x 32	21.00 x 32	3 Piece Wheel
30.5 x 32	27.00 x 32	3 Piece Wheel
35.5 x 32	31.00 x 32	3 Piece Wheel
73/44.00 x 32	36.00 x 32	3 Piece Wheel
68/50.00 x 32	42.00 x 32	3 Piece Wheel



**SUPPLYING QUALITY
FORESTRY TYRES**

FORESTRY RIMS

TYRE SIZE	RIM SIZE	DESCRIPTION
18.4 x 26	DWA16 x 26	1 Piece Wheel
23.1 x 26	DWA20 x 26	1 Piece Wheel
28L x 26	DWA25 x 26	1 Piece Wheel
24.4 x 32	DH21 x 32	1 Piece Wheel
30.5 x 32	DH27 x 32	1 Piece Wheel
35.5 x 32	DH31 x 32	1 Piece Wheel
73/44 x 32	DH36 x 32	1 Piece Wheel
68/50.00 x 32	DH42 x 32	1 Piece Wheel
18.4 x 34	DWA16 x 34	1 Piece Wheel
23.1 x 34	DWA20 x 34	1 Piece Wheel
8/31.00 x 20	26.00VF x 20	3 Piece Wheel
17.5 x 25	14.00T x 25	3 Piece Wheel
20.5 x 25	17.00T x 25	3 Piece Wheel
67/34.00 x 25	30.00TH x 25	3 Piece Wheel
54/37.00 x 25	32.00TH x 25	3 Piece Wheel
66/43.00 x 25	36.00TH x 25	3 Piece Wheel
24.5 x 32	21.00 x 32	3 Piece Wheel
30.5 x 32	27.00 x 32	3 Piece Wheel
35.5 x 32	31.00 x 32	3 Piece Wheel
73/44.00 x 32	36.00 x 32	3 Piece Wheel
68/50.00 x 32	42.00 x 32	3 Piece Wheel





AGRICULTURAL TYRES

This catalogue is intended as a guide to cover the range of products supplied by OTR - Tyre Wheels Axles. Please contact our National Customer Service Centre 1300 CALL OTR for a current list price. All goods sold by OTR - Tyre Wheels Axles are covered by manufacturer's warranty.

Whilst all efforts have been made to publish this document with respect to accuracy supplied by manufacturers of products, OTR - Tyre Wheels Axles accepts no responsibility for claims resulting from information provided herein. All sales are covered by OTR - Tyre Wheels Axles Conditions of Sales and Credit Terms.

It is the responsibility of the purchaser to check all goods supplied by OTR - Tyre Wheels Axles at time of delivery. Errors in delivery must be reported to OTR - Tyre Wheels Axles Customer Service Department within 24 hours of receipt and any incorrect deliveries at the fault of OTR - Tyre Wheels Axles will be replaced by OTR - Tyre Wheels Axles without cost to the Dealer.

All goods returned outside these parameters shall be subject to a 10% surcharge and freight for returned goods shall be at the purchaser's cost. OTR - Tyre Wheels Axles return procedure must be followed otherwise goods will not be accepted.

400/30B4S

400/30B4S

TYRE BRANDS



TerraTyre is the culmination of over 100 years collective experience in supply tyres to the Australian Market. As an in-house brand of OTR, it contains over a decade of proven history on and off the Australian roads.

We pride ourselves on providing quality without breaking the bank. That quality comes from close relationship with Australian partners focusing on research and development. We maintain a large range of both truck and 4x4 tyres as well as products across various industries including mining, civil, transport and agricultura, which allows us to adapt to market demands.



GRI is a leading producer of specialty tyres in Sri Lanka with offices in 9 countries and sales in over 50 countries around the world. We produce high-performance agriculture, construction and material handling tyres.

GRI deliver high-grade specialty tyres that are built sustainably at their advanced production plants in Sri Lanka. Their state-of-the-art factory is the largest in Sri Lanka to produce specialty tyres and the first to produce radial agriculture tyres. Technological innovation, engineering strength and operational excellence have powered GRI through rapid growth to become a leader in specialty tyres.



With a reputation for high quality and made in America, Titan tyres help equipment take on some of the most challenging applications including farming, construction, mining and forestry. That's why they engineer, test and manufacture tyres for high durability and long-lasting reliability. They also give you options - offering full lines of both bias and radial tyres.

The result: you get the best return on your investment and can rest assured knowing that their tyres won't let you down. No matter the conditions, their tyres keep you moving.



Multistar is known as a specialist in tyres for the agricultural, mining and industrial sector for OTR applications, with an availability of a complete range of tyres. When you work with Multistar, you can depend on a diversified stock and high-quality tyres at competitive prices.

Their unique expertise and experience, combined with their excellent customer relations built up over more than 20 years form the basis for their leading position in the market. In addition, Multistar work together with suppliers such as Tianli, Linglong and BOTO all of whom are global major players.



Bridgestone understands the needs of Australian industries. In 1981, they became the first company in mining to sell directly to the customer. This direct-to-customer strategy gave them the unprecedented capability to understand their customer's business accurately and create a Solutions Driven offering built wholly around their needs.

Maximizing usage of a wide range of products, services and digital tools, they partners with customers to develop customised solutions that contribute to productivity improvement and cost optimisation in all operations.

Uniglory's collaboration with farmers starts from their passion of the earth. They understand not only the soil, but also the people who are ploughing it. Each product is carefully engineered keeping the latest technology in mind. These Agricultural products are strong enough to achieve your goals in all conditions, either in wet or dry soil, or on road. Specially designed for challenging applications, farmers can get the job done well and efficiently.

Uniglory aim to deliver superior value to the farmers, through their focus on innovation and technology.

Based in Qingdao, China, Marcher is one of the leading manufactures in the global Off-Highway tyre market. Founded in 1998, Marcher has built up a 93,000m² factory consisting of R&D departments and over a 62,000m² production plant in Qianlou Rubber Industrial Park.

Marcher have been operating in more than 100 countries and provide products to Rio Tinto & FMG in Australia. With all-for-durable and environmentally friendly design philosophy, Marcher is offering the most integrated production line for equipment in the agriculture, mining, construction and industrial sectors.

Do you work on a farm, as a crop producer or livestock rearer, in the timber industry, in a nursery or in the upkeep of green areas or perhaps in the world of viticulture or arboriculture? The experts from the Michelin group have been assisting all agricultural professionals for more than a century. They devote all their expertise, skills and innovation to the respect and protection of the soil.

Michelin help you to optimise your operating costs, particularly through fuel savings and to improve your crop yields while reducing soil compression and compaction.

While the group foundation dates back to the 1950s, BKT started its Off-Highway tyre business in 1987. For over 30 years, BKT has successfully focused on specialist segments such as agricultural, construction and industrial as well as earthmoving, port and mining, ATV and gardening applications.

But your business is at our core. Over the years we have come up with many tyre novelties that cater for the most demanding user needs in any Off-Highway application and today we offer an extensive product range of over 3,200 high-performance specialist tyres.

Growers have a legacy built on hard work and a spirit of innovation. It's the same vision that's driven Goodyear to engineer farm tyres for almost a century. Agricultural products in their OTR and Goodyear Farm Tire brands start with feedback that comes directly from the field.

It's how they developed the innovative LSW® (Low Sidewall) technology that's redefining expectations for agricultural tyres around the world. They offer a full lineup of agricultural tyres for a variety of equipment types - including tractors, combines, grain carts, and sprayers.



ACRONYMS OF AGRICULTURAL TYRES

As farm equipment manufacturers continue to introduce larger, heavier and more powerful equipment each year, the space in which to fit the tyre has not changed. This has necessitated that the tyre industry move toward new technologies that allow the same size tyre to carry heavier loads at lower inflation pressures. The result? **More tyre acronyms.**

	TRA TYRE & RIM ASSOCIATION	IF INCREASED FLEXION	VF VERY HIGH FLEXION	CFO CYCLICAL FIELD OPERATION	LSW [®] LOW SIDEWALL
Description	The standardizing body for the tyre, rim, valve & allied parts industry in the United States. Called for IF/VF/CFO being standard across all brands	Carries 20% higher loads at same inflation pressure as standard tyres or same loads at 20% lower inflation pressure as standard tyres.	Carries 40% higher loads at same inflation pressure as standard tyres or same loads at 40% lower inflation pressure as standard tyres.	Handles 55% higher loads when traveling less than 10 mph, for use on combines and grain carts.	Larger rim diameter than standard tyres, meets TRA standards for VF/CFO in terms of load/inflation capabilities.
Benefit		Reduces soil compaction when properly inflated.	Reduces soil compaction when properly inflated.	Reduces soil compaction & reduces need to adjust inflation during significant changes in weight during harvest.	Reduces soil compaction when properly inflated, minimizes road lope & power hop regardless of inflation pressures.
Caveats		Only effective if pressure is adequately maintained by application & weight, increased flex can cause problems with road lope & power hop quality if inflation is not maintained.	Only effective if pressure is adequately maintained by application & weight, increased flex can cause problems with road lope & power hop quality if inflation is not maintained.	Compaction reduction gains are only realized if proper inflation pressures are maintained.	Requires appropriate size of wheel.
Brand		Goodyear Farm Tires, Uniglory	Goodyear Farm Tires, Uniglory	Goodyear Farm Tires, Uniglory	Goodyear Farm Tires, Uniglory



TYRE DESIGNATION CHART

CODE	APPLICATION	TREAD	SERVICE
I-1	Implement Tyres	Ribbed - Multi	Free Rolling Wheels
I-2	Implement Tyres	Ribbed - Moderate Traction	Free Rolling or Drive Wheels
I-3	Implement Tyres	Traction - LOM / R-4	Drive Wheels
F-1	Front Tractor Tyres	Agricultural Single Rib	Rice / Cane
F-2	Front Tractor Tyres	Agricultural Tri Rib	General Farm Work - Grip
F-2M(A)	Front Tractor Tyres	Agricultural Multi Rib	General Farm Work - Flotation
F-3	Front Tractor Tyres	Industrial Multi Rib	Light Industrial Service
HF-1	High Flotation Tyres	Shallow - Ribbed	Turf
HF-2	High Flotation Tyres	Regular - Lugged	General Farm Work
HF-3	High Flotation Tyres	Deep - Lugged	Moist to Wet Soil
HF-4	High Flotation Tyres	Extra Deep - Lugged	Wet to Soft Soil / Logging
R-1	Rear Tractor Tyres (Drive)	Regular Tread	General Farm Work
R-1W	Rear Tractor Tyres (Drive)	Deep Tread	Moist to Wet Soil
R-2	Rear Tractor Tyres (Drive)	Extra Deep	Wet Soft Soil - Cane / Rice
R-3	Rear Tractor Tyres (Drive)	Shallow - Diamond / Block	Sandy or Turf - Golf Courses / Orchards
R-4	Rear Tractor Tyres (Drive)	Intermediate - LOM	Industrial Tractor / Construction
LS-2	Logging Tyres	Intermediate	Logging / Forestry
C-1	Compactor Tyres	Smooth	Road Compactor
C-7	Compactor Tyres	Diamond/Block	Road Compactor
E-3	Earthmover Tyres	Standard Depth - Traction	Rock Design
E-4	Earthmover Tyres	1.5 x Standard Depth - Traction	Rock Design - Additional Resistance & Life
E-7	Earthmover Tyres	Ribbed - Flotation	Flotation - Soft / Sandy - Asphalt
G-2	Loader / Dozer Tyres	Standard Depth - Traction	Traction - Graders (speed up to 40kph)
L-2	Loader / Dozer Tyres	Standard Depth - Traction	Traction - Loaders (speed up to 10kph) - Soft / Sandy Conditions
L-3	Loader / Dozer Tyres	Standard Depth - Traction	Rock Design
L-4	Loader / Dozer Tyres	1.5 x Standard Depth - Traction	Rock Design - Additional Resistance & Life
L-5	Loader / Dozer Tyres	2.5 x Standard Depth - Traction	Rock Design - Ultimate Resistance & Life
L-5S	Loader / Dozer Tyres	2.5 x Standard Depth - Smooth	Smooth Design - Cut Chip Resistance in Rock Conditions



LOAD INDEX

The **Load Index (LI)** is the numerical number which corresponds to the maximum load a tyre can carry at the speed indicated by the **Speed Symbol (SS)**, under conditions of use specified by the manufacturer. The **Speed Symbol (SS)** indicates the maximum speed a tyre should travel with respect to the **Load Index (LI)**, under conditions specified by the manufacturer.

LI	KG	LI	KG	LI	KG	LI	KG
40	140	75	387	110	1,060	145	2,900
41	145	76	400	111	1,090	146	3,000
42	150	77	412	112	1,120	147	3,075
43	155	78	425	113	1,150	148	3,150
44	160	79	437	114	1,180	149	3,250
45	165	80	450	115	1,215	150	3,350
46	170	81	462	116	1,250	151	3,450
47	175	82	475	117	1,285	152	3,550
48	180	83	487	118	1,320	153	3,650
49	185	84	500	119	1,360	154	3,750
50	190	85	515	120	1,400	155	3,875
51	195	86	530	121	1,450	156	4,000
52	200	87	545	122	1,500	157	4,125
53	206	88	560	123	1,550	158	4,250
54	212	89	580	124	1,600	159	4,375
55	218	90	600	125	1,650	160	4,500
56	224	91	615	126	1,700	161	4,625
57	230	92	630	127	1,750	162	4,750
58	236	93	650	128	1,800	163	4,875
59	243	94	670	129	1,850	164	5,000
60	250	95	690	130	1,900	165	5,150
61	257	96	710	131	1,950	166	5,300
62	265	97	730	132	2,000	167	5,450
63	272	98	750	133	2,060	168	5,600
64	280	99	775	134	2,120	169	5,800
65	290	100	800	135	2,180	170	6,000
66	300	101	825	136	2,240	171	6,150
67	307	102	850	137	2,300	172	6,300
68	315	103	875	138	2,360	173	6,500
69	325	104	900	139	2,430	174	6,700
70	335	105	925	140	2,500	175	6,900
71	345	106	950	141	2,575	176	7,100
72	355	107	975	142	2,650	177	7,300
73	365	108	1,000	143	2,725	178	7,500
74	375	109	1,030	144	2,800	179	7,750

It is imperative - Do not exceed the maximum permitted speed of the tyre. Do not exceed the maximum permitted distance in one hour indicated in the tables of tyre's characteristics. At the time of fitting, it is vital that the various markings be verified, in order to be certain that the tyre is suitable for operation at the maximum allowed vehicle speed and load.

LI	KG
180	8,000
181	8,250
182	8,500
183	8,750
184	9,000
185	9,250
186	9,500
187	9,750
188	10,000
189	10,300
190	10,600
191	10,900
192	11,200
193	11,500
194	11,800
195	12,150
196	12,500
197	12,850
198	13,200
199	13,600
200	14,000
201	14,500
202	15,000
203	15,500
204	16,000
205	16,500
206	17,000
207	17,500
208	18,000
209	18,500
210	19,000
211	19,500
212	20,000
213	20,600
214	21,200

LI	KG
215	21,800
216	22,400
217	23,000
218	23,600
219	24,300
220	25,000
221	25,750
222	26,500
223	27,250
224	28,000
225	29,000
226	30,000
227	30,750
228	31,500
229	32,500
230	33,500
231	34,500
232	35,500
233	36,500
234	37,500
235	38,750
236	40,000
237	41,250
238	42,500
239	43,750
240	45,000
241	46,250
242	47,500
243	48,750
244	50,000
245	51,500
246	53,000
247	54,500
248	56,000
249	58,000

LI	KG
250	60,000
251	61,500
252	63,000
253	65,000

LI	KG
254	67,000
255	69,000
256	71,000
257	73,000

SPEED SYMBOL	MAX SPEED KPH	MAX SPEED MPH
A1	5	2.5
A2	10	5
A3	15	10
A4	20	12.5
A5	25	15
A6	30	20
A7	35	22.5
A8	40	25
B	50	30
C	60	35
D	65	40
E	70	43
F	80	50
G	90	55
J	100	62
K	110	68
L	120	75
M	130	81
N	140	87
P	150	
Q	160	
R	170	
S	180	
T	190	
U	200	
H	210	
V	240	
W	270	
Y	300	

This chart is intended as a guide only. Consult the manufacturers technical data before recommending changes. Please note that some alternatives may require new wheels.

CONVERSION CHART

RIM DIA	STD SERIES	NARROW			STANDARD			WIDE			EXTRA WIDE			FLOTATION		
		95	90	85	80	75	70	65	60	65	60	55	50	45		
15.3	10.0/75-15.3						260/70-15.3									
	11.5/80-15.3				300/80-15.3											
	12.5/80-15.3				320/80-15.3											
16	6.00-16		180/90-16				240/70-16									
	6.50-16		190/90-16				260/70-16	10.5/65-16								
	7.00-16		200/90-16													
	7.50-16	210/95-16														
18	7.50-18	210/95-18					280/70-18	320/65-18								
	7.50-20						280/70R20				40/55-17.5					
	9.5R20		250/85R20				300/70R20									
20	11.2R20				280/85R20		320/70R20									
	12.4R20				320/85R20	375/75R20	360/70R20	420/65R20								
	13.6R20						380/70R20									
	8.3R24				335/80R18											
24	9.5R24				335/80R20											
	11.2R24						320/70R24									
	12.4R24				280/85R24											
	13.6R24				320/85R24		360/70R24	420/65R24			400/60-26.5					
	14.9R24	230/95R32			340/85R24		380/70R24	440/65R24					600/55-26.5			
	16.9R24	270/95R32			380/85R24		420/70R24	480/65R24								
	16.9R26				420/85R24		480/70R24	540/65R24					600/55-30.5			
26	23.1R26					620/75R26										
	11.2R28				280/85R28		320/70R28	440/65R24								
	12.4R28	230/95R32			320/85R28		360/70R28				500/60-26.5					
28	13.6R28	270/95R32			340/85R28		380/70R28	440/65R28						600/55-26.5		
	14.9R28	230/95R36			380/85R28		420/70R28	480/65R28								
	16.9R28	270/95R36			420/85R28		480/70R28	540/65R28						600/55-30.5		

TYRE SIZES

6"

PART NUMBER	SIZE	DESCRIPTION	PLY/LI	SS	TT/TL	CC	PSI	SW	OD	RC	OTD	RW
TA00938	13/5.00-6	WANDA TL P-512 TURF	4 PLY		TL	200	40	128	315		4.5	4.50
TA00939	15/6.00-6	WANDA TL P-512 TURF	4 PLY		TL	258	30	160	380		4.5	4.50



P-512

8"

PART NUMBER	SIZE	DESCRIPTION	PLY/LI	SS	TT/TL	CC	PSI	SW	OD	RC	OTD	RW
TA03364	4.80-8	TITAN SPORT TRAX	C	G	TL	345	90	125	422	1,270	5	3.75
TA04455	16/6.50-8	WANDA P-328 R-1	4 PLY		TL	279	28	162	418		12	5.375
TA04456	16/6.50-8	WANDA P-332	8 PLY	A3	TL	430	58	168	415	1,192	7.1	5.375
TA01448	16/6.50-8	WANDA P-332 TURF	4 PLY		TL	281	28	162	418		12	5.375
TA01449	18/8.50-8	WANDA P-332 TURF	6 PLY		TL	300	30	215	457			7.00
TA02953	18/9.50-8	WANDA P-328 R-1	6 PLY		TL	300	30	240	457			7.00
TA01450	20/10.00-8	WANDA P-512 TURF	4 PLY		TL	544	22	253	505		6	6.00
TA02739	22/11.00-8	WANDA P-334 ATV	6 PLY		TL	450	24	280	560			8.00



SPORT TRAX



P-328



P-332



P-334



P-512

9"

PART NUMBER	SIZE	DESCRIPTION	PLY/LI	SS	TT/TL	CC	PSI	SW	OD	RC	OTD	RW
TA00994	6.00-9	WANDA P-810 HIGHWAY	10 PLY		TT	2,100	85	176	531		5	4.00
TA07195	6.00-9	MARCHER W-9C IND SET	10 PLY		TT	1,150	125	160	540		11	4E



P-810



W-9C

PART NUMBER	SIZE	DESCRIPTION	PLY/LI	SS	TT/TL	CC	PSI	SW	OD	RC	OTD	RW	10"
TA02756	18/8.50-10 NHS	TITAN TRU-POWER II	4 PLY	A3	TL	378	22	198	470	1,422	12.7	7.00	
TA02758	18/8.50-10 NHS	TITAN TRAC LOADER R-4	4 PLY	A2	TL	378	22	191	450	1,346	12.7	7.00	
TA01193	20/8.00-10 NHS	TITAN HD 2000 II	4 PLY	A2	TL	550	40	208	490	1,448	12	9.60	
TA03382	20.5/8.00-10	TITAN SPORT TRAX	E	G	TL	691	90	206	523	1,550	7	6.00	
TA03369	22/8.00-10 AT	TITAN FAST TREKKER ATV	3*	B	TL	125	7	209	554	1,651	13	6.50	
TA03370	22/11.00-10 AT	TITAN 489 X/T ATV	6 PLY	B	TL	175	7	270	562	1,651	15	9.00	
TA03372	25/12.00-10 AT	TITAN 589 M/T ATV	6 PLY	B	TL	225	7	292	645	1,880	28	8.00	



PART NUMBER	SIZE	DESCRIPTION	PLY/LI	SS	TT/TL	CC	PSI	SW	OD	RC	OTD	RW	11"
TA03373	23/8.00-11 AT	TITAN 489 X/T ATV	6 PLY	B	TL	91	7	193	597	1,778	15	6.50	
TA03375	24/10.00-11 AT	TITAN 489 X/T ATV	6 PLY	B	TL	180	7	257	612	1,778	15	7.00	



PART NUMBER	SIZE	DESCRIPTION	PLY/LI	SS	TT/TL	CC	PSI	SW	OD	RC	OTD	RW	12"
TA03037	20.5/50-12	TITAN PLANTER I-1 IMPLEMENT	4 PLY	B	TL	340	36	148	524	1,550	6.5	4.00	
TA02167	23/8.50-12 NHS	TITAN COMMERCIAL MULTI-TRAC C/S	6 PLY	A3	TL	655	34	211	574	1,676	9.5	7.00	
TA02168	23/10.50-12 NHS	TITAN COMMERCIAL MULTI-TRAC C/S	6 PLY	A3	TL	800	32	264	574	1,651	9.5	8.50	
TA00965	26/12.00-12	SUPERGRIP R-1	8 PLY	B	TL	659	50	301	659			10.50	
TA02964	26/12.00-12	WANDA P-332 TURF	4 PLY		TL	807	50	312	650		9.8	10.50	



TYRE SIZES

13"

PART NUMBER	SIZE	DESCRIPTION	PLY/LI	SS	TT/TL	CC	PSI	SW	OD	RC	OTD	RW
TA01094	155R13 C	HAIDA HD612	85/83	S	TL			155				4.50



HD612

14"

PART NUMBER	SIZE	DESCRIPTION	PLY/LI	SS	TT/TL	CC	PSI	SW	OD	RC	OTD	RW
TA01705	7-14	TITAN HI-TRAC LUG R-1	6 PLY	A6	TL	450	36	170	699	2,108	26.5	6.00
TA07445	7-14	MARCHER QZ-702 R-1	6 PLY	A6	TT	700	60	180	700	2,045	22	5F
TA01772	23/8.50-14 NHS	TITAN TRAC LOADER R-4	4 PLY	A2	TL	677	35	198	592	1,803	11	7.00
TA06595	11L-14 SL	GOODYEAR FARM UTILITY	8 PLY		TL	1,120	36	10.2	840	2,184	6.5	10.60



HI-TRAC LUG



QZ-702



TRAC LOADER



FARM UTILITY

15"

PART NUMBER	SIZE	DESCRIPTION	PLY/LI	SS	TT/TL	CC	PSI	SW	OD	RC	OTD	RW
TA01714	7.60-15 SL	TITAN DURA LIFE I-1	8 PLY	B	TL	1,064	52	214	787	2,337	6.5	5.50
TA01713	9.5L-15 SL	TITAN HI FLOTATION I-1	12 PLY	B	TL	1,455	64	249	767	2,261	9	7.00
TA05758	9.5L-15 SL	MARCHER QZ-709 I-1	12 PLY		TT/TL	1,510	52	240	765		6	8LB
TA07109	9.5L-15 SL	GRI EX I100	8 PLY	D	TL	1,120	52	240	765		6	8LB
TA02747	11L-15 SL	TITAN HI FLOTATION I-1	18 PLY	D	TL	1,900	80	274	787	2,337	9	8.00
TA04072	11L-15 SL	MULTISTAR I-1 IMPLEMENT RIB	10 PLY	D	TL	1,320	44	270	770	2,256	10	8LB
TA04245	11L-15 SL	MULTISTAR F3	12 PLY		TL	1,150	61	279	813	2,430	10	8LB
TA05659	11L-15 SL	MARCHER IMPT F-3	10 PLY	A6	TL	1,190	50	280	810	2,370	13.5	8LB
TA07107	11L-15 SL	GRI EXI100	12 PLY	D	TL	1,120	52	240	765		6	8LB
TA07460	11L-15 SL	ADVANCE F1 HIGHWAY I-L	12 PLY	J	TT	1,796	90	279	777		9.5	8.00
TA01775	13.50-15 FI	TITAN HIGHWAY IMPLEMENT F-1		G	TL	2,064	75	343	808	2,438	9	10.00
TA02084	25/7.50-15	TITAN HIGHWAY IMPLEMENT F-1	6 PLY	B	TL	555	30	198	632	1,880	6.5	5.50
TA02611	27/8.50	TITAN COMMERCIAL MULTI-TRAC C/S	6 PLY	B	TL	715	45	214	678	2,007	9	7.00
TA03030	27/8.50	TITAN SKID STEER HD2000	8 PLY	A2	TL	1,315	60	219	681	2,057	12	7.00
TA07553	11L-15	UNIGLORY FIELDMASTER	12 PLY	B	TL			279	777	2,330		8

PART NUMBER	SIZE	DESCRIPTION	PLY/LI	SS	TT/TL	CC	PSI	SW	OD	RC	OTD	RW
TA01651	27/9.50	TITAN FLO-TRAC RIB HF-1	8 PLY	B	TL	864	60	241	678	2,007	7.5	7.00
TA02097	27/10.50-15 NHS	TITAN COMMERCIAL MULTI-TRAC C/S	4 PLY	B	TL	600	30	259	683	2,083	10	8.50
TA02096	27/10.50-15 NHS	TITAN TRAC LOADER R-4	6 PLY	A2	TL	1,186	45	279	698	2,083	13.5	8.50
TA06820	28/8.50-15	TITAN MULTI-TRAC C/S	6 PLY		TL	850	45	221	711	2,114	9	7JA
TA07127	29/12.50-15 NHS	TITAN MULTI TRAC C/S	8 PLY		TL	975	45	310	739	2,210	9.5	10.00
TA01934	31/13.50-15 NHS	TITAN COMMERCIAL MULTI-TRAC C/S	8 PLY	B	TL	1,182	45	353	800	2,388	9.6	10.00
TA07871	31/13.50-15SL	UNIGLORY I-1	8 PLY		TL			419	1,024	3,060	10	W14C
TA04463	31/15.50-15	MULTISTAR R1-AW	8 PLY		TL	1,450	59	391	792	2,300	20	13LB
TA05224	31/15.50-15	MARCHER SKS LOM	10 PLY		TL	1,680	59	391	792		19	13LB
TA02283	36/13.50-15 NHS	TITAN COMMERCIAL MULTI-TRAC C/S	4 PLY	B	TL	1,182	20	381	914	2,692	9.6	10.00

15"



PART NUMBER	SIZE	DESCRIPTION	PLY/LI	SS	TT/TL	CC	PSI	SW	OD	RC	OTD	RW
TA03976	10.0/75-15.3	MULTISTAR IMP-01 FLOTATION	18 PLY		TL	2,360	109	264	760		10	9.00
TA05289	10.0/75-15.3	MARCHER IMPT F-3	18 PLY	A8	TL	2,350	80	265	710	2,080	9	9.00
TA07163	10.0/75-15.3	MULTISTAR MPT-01 R1	14 PLY	A8	TL	1,650	63	391	760	2,285	22	13LB
TA05510	10.0/75-15.3	MARCHER INTR1 R-1	10 PLY		TL	1,525	59	264	760		9	9.00
TA04249	11.5/80-15.3	MULTISTAR MPT-01	14 PLY	A8	TL	2,430	69	290	865	2,540	24	9.00
TA03976	10.0/75-15.3	MULTISTAR IMP-01 FLOTATION	18 PLY		TL	2,360	109	264	760		10	9.00
TA05289	10.0/75-15.3	MARCHER IMPT F-3	18 PLY	A8	TL	2,350	80	265	710	2,080	9	9.00
TA07163	10.0/75-15.3	MULTISTAR MPT-01 R1	14 PLY	A8	TL	1,650	63	391	760	2,285	22	13LB
TA05510	10.0/75-15.3	MARCHER INTR1 R-1	10 PLY		TL	1,525	59	264	760		9	9.00
TA04249	11.5/80-15.3	MULTISTAR MPT-01	14 PLY	A8	TL	2,430	69	290	865	2,540	24	9.00

15.3"

TYRE SIZES

15.3"

PART NUMBER	SIZE	DESCRIPTION	PLY/LI	SS	TT/TL	CC	PSI	SW	OD	RC	OTD	RW
TA05293	11.5/80-15.3	MARCHER IMPT F-3	18 PLY		TL	2,760	74	290	845		10	9.00
TA03979	11.5/80-15.3	MULTISTAR MPT-01 FLOTATION	18 PLY	A8	TL	2,725	88	290	845	2,473	10	9.00



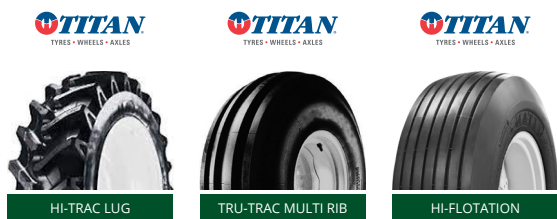
15.5"

PART NUMBER	SIZE	DESCRIPTION	PLY/LI	SS	TT/TL	CC	PSI	SW	OD	RC	OTD	RW
TA03996	400/60-15.5	MULTISTAR TRC-02	14 PLY		TL	2,900	52	400	910	2,564	10	13.00
TA05056	400/60-15.5	MARCHER IMPT F-3	14 PLY	A8	TL	2,725	71	400	875	2,560	12	AG13
TA07032	400/60-15.5	GRI EX FL700	18 PLY		TL	3,875	90	400	875	2,564	20	13.00



16"

PART NUMBER	SIZE	DESCRIPTION	PLY/LI	SS	TT/TL	CC	PSI	SW	OD	RC	OTD	RW
TA01706	7-16	TITAN HI-TRACTION LUG R-1	6 PLY	A6	TL	500	36	186	744	2,210	27	6.00
TA01707	8-16	TITAN HI-TRACTION LUG R-1	6 PLY	A6	TL	618	28	203	775	2,311	25	6.00
TA01708	9.5-16	TITAN HI-TRACTION LUG R-1	6 PLY	A6	TL	632	30	241	846	2,540	32	8.00
TA01654	10.00-16 SL	TITAN TRU-TRAC MULTI RIB F-2M	8 PLY	A8	TL	1,064	44	285	902	2,667	22	8.00
TA01160	12.5-16 SL	TITAN HI-FLOTATION I-1	14 PLY	B	TT	1,900	56	302	810	2,413	9	10.00



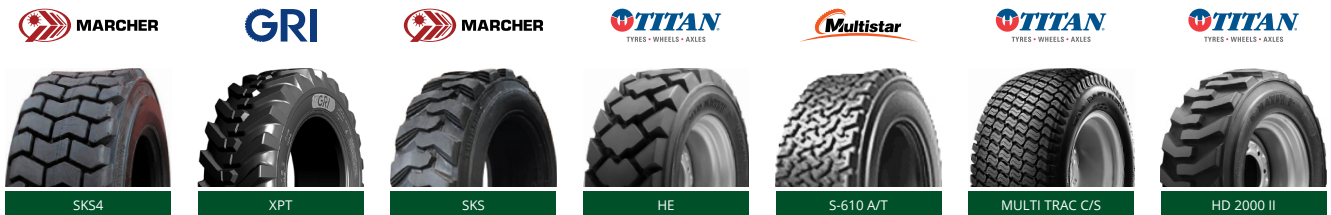
PART NUMBER	SIZE	DESCRIPTION	PLY/LI	SS	TT/TL	CC	PSI	SW	OD	RC	OTD	RW
TA07112	14L-16.1 SL	GOODYEAR FARM UTILITY	14 PLY		TL	2,358	52	356	942	2,616	9	W11C
TA02767	21.5L-16.1 SL	TITAN COMMERCIAL MULTI TRAC C/S	4 PLY	B	TL	1,600	12	546	1,133	3,430	19	18.00
TA02284	35/19.00-16.1	TITAN FLO-TRAC LUG HF-2	12 PLY	B	TL	1,900	55	452	889	2,642	32	16.00

16.1"



PART NUMBER	SIZE	DESCRIPTION	PLY/LI	SS	TT/TL	CC	PSI	SW	OD	RC	OTD	RW
TA05515	10-16.5	MARCHER SKS4 L-4	10 PLY		TL	2,135	75	264	773		27	8.25
TA06750	10-16.5	MARCHER SAND RIB HIGHWAY	10 PLY	A2	TL	2,135	75	264	773	2,260	12	8.25
TA07130	10-16.5	GRI XPT R-4 LOM SKID STEER	10 PLY	A2	TL							
TA05297	10-16.5	MARCHER SKS LOM	10 PLY	A2	TL	2,135	75	264	773	2,260	19	8.25
TA02633	12-16.5 NHS	TITAN SKID STEER HE	14 PLY	A2	TL	3,082	90	310	831	2,464	35	9.75
TA04115	33/12-16.5	MULTISTAR S-610 A/T	8 PLY		TL	2,180	49	310	840	2,478	14	9.75
TA02768	33/12.50-16.5 NHS	TITAN COMMERCIAL MULTI TRAC C/S	4 PLY	B	TL	1,050	30	315	830	2,490	9.5	10.00
TA02630	33/15.50-16.5 NHS	TITAN SKID STEER HD 2000 II	14 PLY	A2	TL	3,400	70	394	838	2,489	20	12.00

16.5"



PART NUMBER	SIZE	DESCRIPTION	PLY/LI	SS	TT/TL	CC	PSI	SW	OD	RC	OTD	RW
TA05504	19.0/45-17	MARCHER IMPT7 F-3 (480/45-17)	18 PLY		TL	4,000	65	491	886		12	16.00

17"



TYRE SIZES

17.5"

PART NUMBER	SIZE	DESCRIPTION	PLY/LI	SS	TT/TL	CC	PSI	SW	OD	RC	OTD	RW
TA04246	14-17.5	MULTISTAR SKS	14 PLY		TL	3,875	80	349	921	2,720	19	10.50
TA05509	14-17.5	MARCHER SKS LOM	14 PLY		TL	3,875	80	349	921		20	10.50



SKS



SKS

18"

PART NUMBER	SIZE	DESCRIPTION	PLY/LI	SS	TT/TL	CC	PSI	SW	OD	RC	OTD	RW
TA03978	10.5/80-18	MULTISTAR R-4 LOM	12 PLY		TL	3,875	80	349	921	2,720	19	10.50
TA03983	12.5/80-18	MULTISTAR IMP-01 FLOTATION	16 PLY	A8	TL	3,350	97	308	965	2,827	10	11.00
TA03984	12.5/80-18	MULTISTAR R-4 LOM	14 PLY	A6	TL	2,120	62	308	987	2,892	25	11.00
TA06097	12.5/80-18	MARCHER SLR4A R-4 LOM	12 PLY		TL	2,625	54	308	965		27	W9
TA05726	12.5/80-18	MARCHER IMPT F-3	16 PLY		TL	3,350	71	307	965		11	W9
TA04074	13.0/65-18	MULTISTAR IMP-01 FLOTATION RIB	16 PLY		TL	2,800	97	336	890	2,608	10	11.00
TA05379	13.0/65-18	MARCHER IMPT F-3	16 PLY		TL	2,750	71	336	890		11	11.00



R-4



IMP-01



SLR4A



IMPT F-3

19.5"

PART NUMBER	SIZE	DESCRIPTION	PLY/LI	SS	TT/TL	CC	PSI	SW	OD	RC	OTD	RW
TA04247	15-19.5	MULTISTAR SKS	14 PLY		TL	4,565	70	389	1,019	3,010	21	11.75
TA04366	15-19.5	TITAN NHS CONTRACTOR FWD	8 PLY		TL	3,280	40	389	1,019	3,022		11.75



SKS



CONTRACTOR FWD

PART NUMBER	SIZE	DESCRIPTION	PLY/LI	SS	TT/TL	CC	PSI	SW	OD	RC	OTD	RW
TA04396	9.5-20	MULTISTAR R-1	8 PLY		TL	955	40	240	955	2,800	40	W7
TA05221	405/70-20	MARCHER INTR4 R-4 (16/70-20)	14 PLY		TL	1,525	56.5	264	760		30	9.00
TA07463	38/18.00-20	ADVANCE R-1	12 PLY		TL	1,320		456		2,890		14.00
TA02218	41/14.00-20 NHS	TITAN COMMERCIAL MULTI TRAC C/S	4 PLY	D	TL	1,400	25	356	1,077	3,404	17.5	11.0
TA02217	44/18.00-20 NHS	TITAN COMMERCIAL MULTI TRAC C/S	4 PLY	D	TL	1,555	20	472	1,143	3,404	20	14.0

20"



PART NUMBER	SIZE	DESCRIPTION	PLY/LI	SS	TT/TL	CC	PSI	SW	OD	RC	OTD	RW
TA07033	500/45-22.5	GRI EX FL700	16 PLY		TL	3,750	52	500	1,044	3,750	19	16.00
TA04035	500/60-22.5	MULTISTAR TRC-03	18 PLY	A8	TL	3,650	52	500	1,170	3,489	21	16.00
TA07132	500/60-22.5	GRI EX FL700	16 PLY		TL	4,875	46	500	1,171	3,200	26.5	16.00
TA03999	550/60-22.5	MULTISTAR 167A6 TRC-03	16 PLY	A8	TL	3,750	41	550	1,238	3,725	25	16.00
TA06205	600/50-22.5	MARCHER SCI3 I-3	18 PLY		TL	4,875	46	500	1,172		25	16.00
TA00992	600/50-22.5	GRI EX FL700	18 PLY		TL	5,450	42	599	1,171	3,505	26.5	20.00

22.5"



TYRE SIZES

24"

PART NUMBER	SIZE	DESCRIPTION	PLY/LI	SS	TT/TL	CC	PSI	SW	OD	RC	OTD	RW
TA01628	9.00-24 SL	TITAN DURA LIFE I-1	8 PLY	A8/B	TL	1,600	40	267	1,074	3,175	8	8.00
TA01648	11.2-24	TITAN HI-TRACTION LUG R-1	8 PLY	A8	TL	1,155	36	300	1,107	3,302	34	10.00
TA05174	11.2-24	MARCHER QZ-702 R-1	8 PLY		TT	1,225	35	285	1,105		33	W10
TA01640	11.25-24 SL	TITAN DURALIFE I-1	8 PLY	A8/B	TL	1,855	32	320	1,161	3,658	9	10.00
TA05381	12.4-24	MARCHER QZ-702 R-1	10 PLY		TT	1,630	40	315	1,160		38	W11
TA03981	12.4-24	MULTISTAR R-1 & TUBE SET	8 PLY		TT	1,450	34	315	1,160	3,410	35	W9
TA01655	14.9-24	TITAN TORC-TRAC R-3	8 PLY	A8	TL	1,600	26	387	1,230	3,658	22	13.00
TA07449	14.9-24	MARCHER FLR3 R-3	8 PLY	A8	TL	1,760	26	378	1,265	3,735	35	W13
TA03989	14.9-24	MULTISTAR R-1	10 PLY		TT			378				
TA05691	14.9-24	MARCHER QZ-702 R-1	10 PLY	A6	TL	1,990	35	378	1,265	3,700	26	W13
TA03987	15.5/80-24	MULTISTAR R-1 (400/80-24)	14 PLY		TT	4,500	70	384	1,262	3,655	37	W12
TA05303	15.5/80-24	MARCHER TIMP R-1 (400/80-24)	16 PLY	A6	TL	3,300	58	394	1,240	3,625	35	W13
TA04117	405/70-24	MULTISTAR INDUSTRIAL R-1 (16/70-24)	14 PLY		TL	3,550	51	405	1,185	3,512	37	13.00
TA05294	405/70-24	MARCHER INTR4 R-4 (16/70-24)	14 PLY		TL	3,750	51	410	1,075		30	13.00
TA07014	280/85R24	GRI XLR 85	115	A8/B	TL	1,215	23	292	1,086	3,224	41	W10
TA07869	280/85R24	UNIGLORY SMARTAGRO R-1W	115/112	A8/B	TL			282	1,086	3,276	42	W10
TA07444	320/85R24	GRI GREEN XLR 85 R1W	122	A8/B	TL	1,500	23	329	1,154	3,424	42	W11
TA07872	320/85R24	UNIGLORY SMARTAGRO R-1W	122/119	A8/B	TL			319	1,154	3,465	43	W11
TA05436	340/85R24	MARCHER TRACPRO 668 R-1	125/122	A8/B	TL	1,650	23	353	1,188		45	W12
TA07015	340/85R24	GRI XLR 85	125	A8/B	TL	1,650	23	353	1,188	3,540	44	W12
TA07873	340/85R24	UNIGLORY SMARTAGRO R-1W	125/122	A8/B	TL			343	1,188	3,547	44	W12
TA07001	360/70R24	GRI XLR 65	122	A8/B	TL	1,500	23	357	1,152	3,400		W11
TA07874	360/70R24	UNIGLORY SMARTAGRO R-1W	122/125	A8/B	TL			357	1,152	3,425	42	W11
TA07002	380/70R24	GRI XLR 70	125	A8/B	TL	1,650	23	380	1,190	3,560	42	W12
TA07875	380/70R24	UNIGLORY SMARTAGRO R-1W	125/128	A8/B	TL			380	1,190	3,560	43	W12
TA07877	380/85R24	UNIGLORY SMARTAGRO R-1W	131/128	A8/B	TL			380	1,256	3,750	45	W12
TA05440	420/70R24	MARCHER TRACPRO 668 R-1	130	A8/B	TL	1,900	23	415	1,253			W13
TA07004	420/70R24	GRI XLR 70	130	A8/B	TL	1,900	23	418	1,248	3,680	44	W13
TA07880	420/70R24	UNIGLORY SMARTAGRO R-1W	130/133	D/A8	TL			418	1,248	3,705	44	W13
TA07018	420/85R24	GRI XLR 85	137	A8/B	TL	2,300	23	438	1,324	3,900		W15L
TA07881	420/85R24	UNIGLORY SMARTAGRO R-1W	137/134	A8/B	TL			418	1,324	3,970	48	W15L
TA07131	480/65R24	GRI XLR 65	140/143	D/A8	TL	2,500	35	479	1,234	3,730	49	W15L



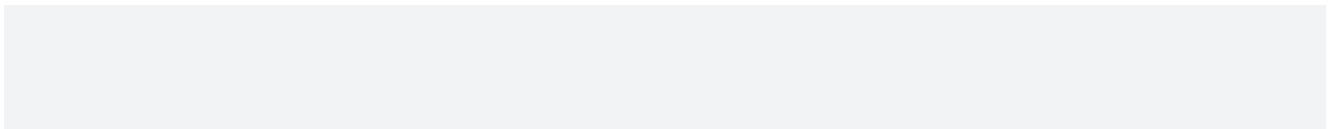
PART NUMBER	SIZE	DESCRIPTION	PLY/LI	SS	TT/TL	CC	PSI	SW	OD	RC	OTD	RW
TA07885	480/65R24	UNIGLORY SMARTAGRO R-1W	133/136	D/A8	TL			479	1,234	3,764	45	W15L
TA07890	480/70R24	UNIGLORY SMARTAGRO R-1W	138/141	D/A8	TL			479	1,316	3,875	46	W15L
TA07133	540/65R24	GRI XLR 65	149/152	D/A8	TL	3,250	35	530	1,413	4,253	50	W16L
TA01927	16.00-24	TITAN SAND FLOTATION E-7	182	A2	TL	8,482	44	478	1,460	4,033	50	W10
TA02772	16.9-24	TITAN HI-TRACTION LUG R-1	8 PLY	A8	TL	1,855	24	452	1,346	3,988	11	15.00
TA01785	16.9-24	TITAN TORC TRAC R-3	8 PLY	A8	TL	1,855	24	450	1,306	3,835	38	15.00
TA03990	16.9-24	MULTISTAR R-4 LOM	12 PLY		TL	3,250	38	440	1,310	3,845	22	DW15
TA05300	16.9-24	MARCHER SLR4 R-4 LOM	12 PLY		TL	3,250	62	430	1,335		25	W15L
TA07450	16.9-24	MARCHER FLR3 R-3	8 PLY	A8	TL	2,100	26	430	1,335	3,900	26	W15L
TA05124	19.5L-24	TITAN INDUSTRIAL TRACTOR LUG R-4	12 PLY		TL	2,994	28	493	1,316	3,880	20	16.00
TA07454	19.5L-24	MARCHER SLR4 R4	12 PLY		TL	3,450	33	495	1,314		27	W16L

24"



PART NUMBER	SIZE	DESCRIPTION	PLY/LI	SS	TT/TL	CC	PSI	SW	OD	RC	OTD	RW
TA07453	18.00-25	MARCHER W-12	16 PLY	E-7	TL	4,375	36	470	1,557		14	10.00
TA07455	21.00-25	MARCHER W-12A	32 PLY	E-7	TL		65	570	1,685		16	15.0/3.0

25"



TYRE SIZES

26"	PART NUMBER	SIZE	DESCRIPTION	PLY/LI	SS	TT/TL	CC	PSI	SW	OD	RC	OTD	RW
	TA01786	14.9-26	TITAN HI-POWER LUG R-1	10 PLY	A8	TL	1,855	32	384	1,316	3,962	38	13.00
	TA05886	14.9-26	MARCHER QZ-702 R-1	10 PLY		TT	2,120	34	380	1,365		38	W13
	TA07451	16.9-26	MARCHER QZ-702 R-1	10 PLY		TL	2,300	32	430	1,410		39	W15L
	TA04077	18.4-26	MULTISTAR R-1	12 PLY	A6	TT	2,985	23	467	1,450	4,205	37	16.00
	TA05261	18.4-26	MARCHER QZ-702 R-1	12 PLY		TL	2,985	34	467	1,450		38	DW16
	TA07056	18.4-26	MARCHER QZ-702 R-1 TUBE TYPE	12 PLY		TT	2,985	34	467	1,450		38	DW16
	TA05110	23.1-26	MARCHER FLR3 R-3	18 PLY		TL	4,300	34	587	1,580		28	DW20
	TA05295	23.1-26	MARCHER QZ-705 R-1	16 PLY		TL	4,300	34	587	1,605		34	DW20
	TA07796	750/65R26	UNIGLORY HARVEMAXX	171/174	D/AB	TL			764	1,636	4,921	56	DW23B



HI-POWER LUG



QZ-702



R-1



FLR3



QZ-705



HARVEMAXX

26.5"	PART NUMBER	SIZE	DESCRIPTION	PLY/LI	SS	TT/TL	CC	PSI	SW	OD	RC	OTD	RW
	TA04000	600/55-26.5	MULTISTAR TRC-03	16 PLY		TL	5,800	38	600	1,333	4,047	26	20.00
	TA05994	750/55-26.5	MARCHER LS-2	24 PLY		TL	8,500		750	1,485		49	AG24



TRC-03



LS-2

28"	PART NUMBER	SIZE	DESCRIPTION	PLY/LI	SS	TT/TL	CC	PSI	SW	OD	RC	OTD	RW
	TA05698	11.2-28	MARCHER QZ-702 R-1	12 PLY		TT	1,675	52	285	1,205		33	W10
	TA04169	12.4-28	MULTISTAR R-1 & TUBE SET	10 PLY		TT	1,550	40	325	1,260	3,704	40.5	W10
	TA07108	12.4-28	GRI EX RT100	8 PLY		TL	1,550	33	315	1,260	3,704	34	W11
	TA01634	13.6-28	TITAN TORC-TRAC II R-3	6 PLY	A8	TT	1,286	22	356	1,290	3,835	19	12.00
	TA07028	13.6-28	GRI EX RT100	12 PLY		TL	1,650	29	345	1,310	4,031	36	W12
	TA07448	13.6-28	MARCHER FLR3 R-3	8 PLY	A8	TL	1,500	28	345	1,310	3,830	19	W13
	TA04112	14.9-28	MULTISTAR R-1 & TUBE SET	10 PLY	A6	TL	2,120	34	378	1,365	4,013	34	13
	TA04482	14.9-28	MARCHER R-1	10 PLY		TL	2,120	34	380	1,365		38	W13
	TA03991	16.9-28	MULTISTAR R-1 & TUBE SET	12 PLY	A6	TL	2,620	34	430	1,420	4,013	37	15.00

PART NUMBER	SIZE	DESCRIPTION	PLY/LI	SS	TT/TL	CC	PSI	SW	OD	RC	OTD	RW
TA05018	16.9-28	MARCHER QZ-702 R-1	10 PLY		TT	2,380	29	430	1,435		39	W15L
TA04113	16.9-28	MULTISTAR R-4 LOM	12 PLY		TL	3,550	38	440	1,410	4,145	25	DW15
TA05301	16.9-28	MARCHER SLR4 R-4 LOM	12 PLY		TL	3,450	38	430	1,435		26	W14L
TA02094	18.4-28	TITAN INDUSTRIAL TRACTOR LUG R-4	10 PLY		TL	3,568	30	478	1,468	4,369	28	16.00
TA04483	18.4-28	MARCHER QZ-702 R-1	10 PLY		TL	2,750	26	467	1,500		38	W16L
TA05205	18.4-28	MARCHER SLR4 R-4	12 PLY		TL	4,000	36	467	1,477		27	W16L
TA05692	340/85R28	MARCHER TRACPRO 668 R-1	127/124	A8/B	TL	1,750	23	353	1,289		45	W12
TA07876	380/70R28	UNIGLORY SMARTAGRO R-1W	127/130	D/A8	TL			380	1,293	3,814	45	W12
TA01789	380/85R28	TITAN HI-TRACTION R-1 (14.9R28)	133	A8/B	TL	2,060	23	406	1,377	4,115	40	13.00
TA07016	380/85R28	GRI XLR 85	133	A8/B	TL	2,060	23	380	1,357	4,015	45	W12L
TA07878	380/85R28	UNIGLORY SMARTAGRO R-1W	133/130	A8/B	TL			380	1,357	4,085	45	W12
TA05383	420/70R28	MARCHER TRACPRO 668 R-1	133	D	TL	2,060	23	415	1,345		44	W13
TA01790	420/80R28	TITAN HI-TRACTION R-1 (16.9R28)	139	B	TL	2,430	23	415	1,345	4,293	42	15.00
TA05382	420/85R28	MARCHER TRACPRO 668 R-1	139	A8	TL	2,430	23	438	1,425		48	W15L
TA07019	420/85R28	GRI XLR 85	139	A8/B	TL	2,430	23	438	1,425	4,214	49	W15L
TA07882	420/85R28	UNIGLORY SMARTAGRO R-1W	139/136	A8/B	TL			418	1,425	4,290	48	W15L
TA05660	480/65R28	MARCHER TRACPRO 668 R-1	136	D	TL	2,240	23	479	1,335		45	DW15L
TA06998	480/65R28	GRI XLR 65	142/145	A8	TL	2,650	35	479	1,335	4,058	47	W15L
TA07889	480/65R28	UNIGLORY SMARTAGRO R-1W	136/139	D/A8	TL			479	1,335	4,064	45	W15L
TA07006	480/70R28	GRI XLR 70	140	A8/B	TL	2,500	23	479	1,421	4,183	50	W15
TA07886	480/70R28	UNIGLORY SMARTAGRO R-1W	140/143	D/A8	TL			479	1,421	4,190	46	W15
TA05229	540/65R28	MARCHER TRACPRO 668 R-1	149/146	D/E	TL	3,250	35	530	1,413		48	DW16L
TA07064	540/65R28	GRI XLR 65	149/152	D/A8	TL	3,250	35	530	1,413	4,253	50	W16L
TA07896	540/65R28	UNIGLORY SMARTAGRO R-1W	142/145	D/A8	TL			550	1,413	4,145	48	W16L
TA07153	600/70R28	CFO GOODYEAR OPTITRAC	173	D	TL	6,486	41	599	1,542	4,623	51	20.00
TA07899	600/65R28	UNIGLORY SMARTAGRO MASTER	163	D	TL			597	1,495	4,449	49	DW20B



TYRE SIZES

30"

PART NUMBER	SIZE	DESCRIPTION	PLY/LI	SS	TT/TL	CC	PSI	SW	OD	RC	OTD	RW
TA02401	14.9-30	TITAN HI-TRACTION LUG R-1	10 PLY		TL	1,950	32	399	1,425	4,292	37	13.00
TA02395	16.9-30	TITAN HI-TRACTION LUG R-1	8 PLY		TT	1,996	24	462	1,526	4,585	38	13.00
TA05096	16.9-30	MULTISTAR R-1 & TUBE SET	12 PLY	A6	TT	2,730	35	430	1,485	4,366	37	15.00
TA05247	16.9-30	GOODYEAR SFT105	6 PLY		TL	1,696	18	437	1,461	4,318	20.5	15.00
TA05996	16.9-30	MARCHER QZ-702 R-1	12 PLY		TL	2,730	35	430	1,485		40	15.00
TA02095	18.4R30	TITAN HI POWER LUG RADIAL R-1	143	A8/B	TL	2,725	24	490	1,549	4,623	40	W15L
TA03992	18.4-30	MULTISTAR R-1 & TUBE SET	14 PLY	A6	TT	3,075	36	467	1,552	4,542	37	16.00
TA07030	18.4-30	GRI EX RT100	12 PLY	A6	TL	3,250	33	460	1,545	4,741	38.5	16.00
TA01631	23.1-30	TITAN HI-POWER LUG R-1	8 PLY		TT	2,721	16	605	1,690		41.5	W16L
TA05658	23.1-30	MARCHER QZ-702A R-1	12 PLY		TL	3,850	25	587	1,705		42	20.00
TA02386	380/85R30	TITAN HI-TRACTION LUG RADIAL R-1	135	A8/B	TL	2,180	23	406	1,428	4,293	40	DW20
TA07017	380/85R30	GRI XLR 85	135	A8/B	TL	2,180	23	380	1,408	4,169	45	13.00
TA07879	380/85R30	UNIGLORY SMARTAGRO R-1W	135/132	A8/B	TL			380	1,408	4,238	45	W12
TA05443	420/85R30	MARCHER TRACPRO 668 R-1	140/137	A8/B	TL	2,500	23	438	1,475		48	W12
TA01641	420/90R30	TITAN HI-TRACTION LUG RADIAL R-1	142	A8/B	TL	2,650	23	452	1,496	4,470	40	W15L
TA05444	460/85R30	MARCHER TRACPRO 668 R-1	145/142	A8/B	TL	2,900	23	475	1,544		50	15.00
TA01695	480/70R30	TITAN AG49M RADIAL R-1W	152	B	TL	3,550	46	467	1,468	4,343	53	W16L
TA05431	480/70R30	MARCHER TRACPRO 668 R-1	141	D	TL	2,075	35	468	1,474		47	DW15A
TA05559	480/70R30	GOODYEAR DT812	152	A8/B	TL	3,561	46	480	1,483	4,445	49.5	
TA07891	480/70R30	UNIGLORY SMARTAGRO R-1W	141/144	D/A8	TL			479	1,478	4,425	46	W15L
TA05577	540/65R30	GOODYEAR DT820	150	A8/B	TL	3,350	35	530	1,463	4,394	46	W15L
TA06997	540/65R30	GRI XLR 65	150/153	D/A8	TL	3,350	35	530	1,460	4,403	50	16.00
TA07897	540/65R30	UNIGLORY SMARTAGRO R-1W	143/146	D/A8	TL			550	1,464	4,419	48	W16L
TA02439	600/70R30	TITAN AG 49M RADIAL R-1W	152	A8/B	TL	3,550	23	582	1,603	4,800	52	W16L
TA07011	600/70R30	GRI XLR 70	152	A8/B	TL	3,550	23	591	1,602	4,774	58	20.00
TA07046	600/70R30	GOODYEAR OPTITRAC	152	D	TL	3,550	23	592	1,610	4,867	52	DW20B



PART NUMBER	SIZE	DESCRIPTION	PLY/LI	SS	TT/TL	CC	PSI	SW	OD	RC	OTD	RW
TA07901	600/70R30	UNIGLORY SMARTAGRO R-1W	158/161	D/A8	TL			591	1,602	4,820	56	DW20B
TA05539	710/60R30	GOODYEAR STR LSW	177	D	TL	7,300	41	686	1,620	4,878	62	DW20B

30"



PART NUMBER	SIZE	DESCRIPTION	PLY/LI	SS	TT/TL	CC	PSI	SW	OD	RC	OTD	RW
TA04001	650/65-30.5	MULTISTAR TRC-03	16 PLY		TL	7,750	32	650	1,650	4,935	26	20.00
TA04003	850/50-30.5	MULTISTAR TRC-03 FLOTATION	16 PLY		TL	9,500	32	850	1,650	4,935	26	28.00
TA06634	750/60R30.5	MICHELIN CARGO XBIB	181	D	TL	8,250	22	718	1,680	4,936	26	AG24

30.5"



PART NUMBER	SIZE	DESCRIPTION	PLY/LI	SS	TT/TL	CC	PSI	SW	OD	RC	OTD	RW
TA01474	24.5R32	TITAN HI-TRACTION LUG RADIAL R-1	169	A8/B	TL	5,800	38	643	1,793	5,359	44	21.00
TA05019	24.5L-32	MARCHER QZ-702 R-1	16 PLY		TL	4,579	34	587	1,705		42	DW20
TA05642	24.5L-32	MARCHER QZ-702A R-1	16 PLY		TL	4,994	30	622	1,805		40	DW21
TA07457	24.5L-32	MARCHER FLR3 R-3	16 PLY		TL	4,994	30	623	1,775		28	DW21
TA05051	24.5R32	TITAN TORC TRAC R-3	173	A8/B	TL	6,500	48	596	1,793	5,334	28	21.00
TA04079	30.5R32	TITAN TORC TRAC II R-3	181	A8	TL	8,255	52	749	1,791	5,309	30	
TA04411	30.5L-32	MARCHER QZ-702A R-1	18 PLY		TL	5,370	25	775	1,820		45	DH27
TA05020	30.5L-32	MARCHER QZ-702A R-1	20 PLY		TL	5,950	30	775	1,820		45	DH27
TA05054	30.5L-32	MARCHER FORESTRY LS-2	26 PLY		TL	7,100	41	775	1,845		55	DH27
TA05256	30.5L-32	MARCHER FLR3 R-3	18 PLY	A8	TL	5,200	23	750	1,790	5,225	29	DH27
TA07421	30.5R32	MARCHER FLR3 R-3	181	A8/B	TL	8,250	52	775	1,794		55	32.00
TA07867	270/95R32	UNIGLORY SMARTAGRO ROW CROP	136/139	D/A8	TL			284	1,345	4,040	37	W9
TA01694	800/65R32	TITAN SUPER HI-POWER LUG R-1	172	A8	TL	6,300	35	790	1,826	5,436	47	27.00
TA05257	800/65R32	MARCHER TRACPRO 668 R-1	178	A8	TL	7,500	46	800	1,846		55	DW27B
TA07748	800/65R32	UNIGLORY SMARTAGRO MASTER VF/CFO	184	D	TL			805	1,859	5,505	58	DW27B

32"

TYRE SIZES

32"

PART NUMBER	SIZE	DESCRIPTION	PLY/LI	SS	TT/TL	CC	PSI	SW	OD	RC	OTD	RW
TA05195	900/60R32	GOODYEAR DT830	185	A8/B	TL	9,253	58	919	1,933	5,740	63	32.00
TA05430	900/60R32	MARCHER TRACPRO 668 R-1	181	A8	TL	8,250	46	890	1,900		55	DW30B
TA07749	900/60R32	UNIGLORY SMARTAGRO MASTER VF/CF0	193	A8	TL			906	1,902	5,835	56	DW30B
TA07359	1000/45R32	GOODYEAR OPTITRAC LSW	184	D	TL	8,981	35	991	1,707	5,001	53	DH36HB



34"

PART NUMBER	SIZE	DESCRIPTION	PLY/LI	SS	TT/TL	CC	PSI	SW	OD	RC	OTD	RW
TA07452	16.9-34	MARCHER QZ-702 R-1	10 PLY		TL	2,605	29	430	1,585		39	W15L
TA01689	18.4-34	TITAN HI-TRACTION LUG RADIAL R-1		A8/B	TL	2,436	18	478	1,654	4,953	42	16.00
TA07031	18.4-34	GRI EX RT100	12 PLY		TT	3,450	33	467	1,650	4,850	38.55	W16L
TA01793	23.1-34	TITAN HI-TRACTION LUG R-1	8 PLY	A8/B	TL	2,910	16	612	1,836	5,359	42	20.00
TA04485	23.1-34	MARCHER QZ-702N R-1	12 PLY		TL	3,350	22	602	1,799		42	DW20B
TA02782	380/85R34	TITAN HI-TRACTION LUG RADIAL R-1	137	A8/B	TL	2,310	23	406	1,530	4,598	42	13.00
TA01643	420/85R34	TITAN AG49M RADIAL R-1W	147	A8/B	TL	3,075	35	419	1,577	4,775	45	15.00
TA05592	420/85R34	MARCHER TRACPRO 668 R-1	142/139	A8/B	TL	2,650	23	438	1,578		48	W15L
TA07883	420/85R34	UNIGLORY SMARTAGRO R-1W	142/139	A8/B	TL			418	1,578	4,735	48	W15L
TA01636	480/70R34	TITAN AG 49M RADIAL R-1W	156	A8/B	TL	3,875	46	465	1,580	4,801	49	15.00
TA05597	480/70R34	MARCHER TRACPRO 668 R-1	143	A8/B	TL	2,725	23	468	1,850		47	W15L
TA07007	480/70R34	GRI XLR 70	149	A8/B	TL	3,250	35	479	1,580	4,759	50	W15L
TA07887	480/70R34	UNIGLORY SMARTAGRO R-1W	143/146	D/A8	TL			479	1,580	4,720	46	W15L



PART NUMBER	SIZE	DESCRIPTION	PLY/LI	SS	TT/TL	CC	PSI	SW	OD	RC	OTD	RW
TA07009	520/70R34	GRI XLR 70	148	A8/B	TL	3,150	23	516	1,640	4,901	54	W16L
TA07893	520/70R34	UNIGLORY SMARTAGRO R-1W	148/151	D/A8	TL			516	1,640	4,875	48	W16L
TA05439	540/65R34	MARCHER TRACPRO 668 R-1	152	D	TL	3,550	35	530	1,586		48	DW16L

34"

GRI



XLR 70

PART NUMBER	SIZE	DESCRIPTION	PLY/LI	SS	TT/TL	CC	PSI	SW	OD	RC	OTD	RW
TA07228	12.4-38	MARCHER QZ-702 R-1	12 PLY	A6	TL	2,250	43	315	1,565	4,575	38	W11
TA05688	16.9-38	MARCHER QZ-702 R-1	12 PLY		TL	2,880	33	430	1,685		39	W15L
TA05460	18.4-38	MARCHER QZ-702 R-1	12 PLY		TL	3,575	33	467	1,755		41	W16L
TA05854	18.4-38	MARCHER QZ-702 R-1	16 PLY		TL	4,395	42	467	1,755		41	W16L
TA01760	20.8-38	TITAN HI-TRACTION LUG R-1	28 PLY	A8	TL	5,818	62	551	1,852	5,436	41	18.00
TA04126	20.8-38	MULTISTAR R1	12 PLY		TT	4,000	29	530	1,835	5,395	40.5	DW18L
TA01701	320/85R38	TITAN TT 49V R-1W	138	A8/B	TL	2,360	41	320	1,509	4,547	44	10.00
TA07316	380/80R38	TITAN AGRA EDGE R-1W	142	D	TL	2,650	35	376	1,591	4,782	43	W12
TA05699	420/85R38	MARCHER TRACPRO 668 R-1	144/141	A8/B	TL	2,800	23	438	1,679		48	W15L
TA07021	420/85R38	GRI XLR 85	144	A8/B	TL	2,800	23	438	1,679	4,992	51	W15L
TA07884	420/85R38	UNIGLORY SMARTAGRO R-1W	144/141	A8/B	TL			418	1,679	5,060	48	W15L
TA05429	460/85R38	MARCHER TRACPRO 668 R-1	149/146	A8/B	TL	3,250	23	475	1,745		50	W16L
TA07022	460/85R38	GRI XLR 85	149/146	A8/B	TL	3,250	1.6	475	1,747	5,161	54	W16L
TA07855	460/85R38	UNIGLORY SMARTAGRO R-1W	149/146	A8/B	TL			455	1,747	5,260	53	W16L
TA07008	480/70R38	GRI XLR 70	145	A8/B	TL	2,900	23	479	1,681	5,015	50	W15L
TA07888	480/70R38	UNIGLORY SMARTAGRO R-1W	145/148	D/A8	TL			479	1,681	5,055	52	W15L
TA01801	480/80R38	TITAN HI-TRACTION LUG RADIAL R-1	152	A8/B	TL	3,550	29	503	1,755	5,283	42	16.00
TA07010	520/70R38	GRI XLR 70	150	A8/B	TL	3,350	23	516	1,749	5,300	54	W16L
TA07894	520/70R38	UNIGLORY SMARTAGRO R-1W	150/153	D/A8	TL			516	1,849	5,510	55	W16L
TA01802	520/85R38	TITAN HI-TRACTION LUG RADIAL R-1	158	B	TL	4,250	29	541	1,852	5,537	44	18.00
TA04454	520/85R38	GOODYEAR DYNA TORQUE	170	A8/B	TL	6,000	58	538	1,834	5,512	42	W18A
TA05055	520/85R38	MARCHER TRACPRO 668 R-1	155/152	A8/B	TL	3,875	23	536	1,849		52	DW18L
TA07898	540/65R38	UNIGLORY SMARTAGRO R-1W	147/150	D/A8	TL			550	1,667	5,023	48	W16L
TA05661	600/65R38	MARCHER TRACPRO 668 R-1	153	D	TL	3,660	23	590	1,745		48	DW18L
TA07000	600/65R38	GRI XLR 65	159/162	A8	TL	4,375	35	611	1,745	5,247	55	DW20B
TA07900	600/65R38	UNIGLORY SMARTAGRO R-1W	153/156	D/A8	TL			591	1,745	5,251	49	W18L

38"

TYRE SIZES

38"

PART NUMBER	SIZE	DESCRIPTION	PLY/LI	SS	TT/TL	CC	PSI	SW	OD	RC	OTD	RW
TA05689	650/65R38	GOODYEAR OPTITRAC R-1W	166	D	TL	5,600	23	612	1,832	5,513	57	DW20B
TA05697	650/65R38	MARCHER TRACPRO 668 R-1	163/159	D/E	TL	4,875	35	645	1,811		48	DW20B
TA07136	650/65R38	GRI XLR 65	163/166	D/A8	TL	4,875	35	645	1,811	5,483	59	DW20B
TA07903	650/65R38	UNIGLORY SMARTAGRO FALCON	175	D	TL			645	1,811	5,345	56	DW23B
TA05560	650/85R38	GOODYEAR DT824	173	A8/B	TL	6,500	35	655	2,052	6,142	60	DW20B
TA07024	650/85R38	GRI XLR 85	173/176	D/A8	TL	5,395	23	675	2,071	6,184	65	DW23B
TA01646	710/70R38	TITAN AG49M RADIAL R-1W	166	A8/B	TL	5,300	23	711	1,930	5,766	62	23.00
TA05432	710/70R38	MARCHER TRACPRO 668 R-1	166	D	TL	5,300	23	716	1,959		56	DW23B
TA07012	710/70R38	GRI XLR 70	166	A8/B	TL	5,300	23	716	1,959	5,751	59	W18L
TA07078	710/70R38	GOODYEAR OPTITRAC	179	D	TL	7,750	52	718	1,954	5,906	62	DW23B
TA07747	710/70R38	UNIGLORY SMARTAGRO MASTER VF/CFO	181	D	TL			715	1,945	5,768	60	DW25B
TA07906	710/70R38	UNIGLORY SMARTAGRO R-1W	178/181	D/A8	TL			710	1,910	5,760	60	DW23B
TA07093	800/70R38	GOODYEAR OPTITRAC	181	D	TL	8,250	41	812	2,051	6,150	61	DW27B
TA07746	800/70R38	UNIGLORY SMARTAGRO MASTER VF/CFO	187	D	TL			805	6,061	6,065	61	DW27B
TA07465	800/70R38	GOODYEAR OPTITRAC IF/CFO	190	D	TL	10,600	46	833	2,058	6,124	61	DW27B



PART NUMBER	SIZE	DESCRIPTION	PLY/LI	SS	TT/TL	CC	PSI	SW	OD	RC	OTD	RW
TA07207	320/80R42	GOODYEAR OPTITRAC	150	D	TL	3,357	52	302	1,585	4,815	40	W10A
TA02160	480/80R42	TITAN AGRA EDGE R-1	166	D	TL	5,307	58	479	1,841	5,568	47	DW16A
TA05435	480/80R42	MARCHER TRACPRO 668 R-1	151	A8/B	TL	3,450	23	495	1,850		48	W16A
TA05871	480/80R42	GOODYEAR DYNA TORQ	166	A8/B	TL	5,300	58	495	1,864	5,685	52	DW16A
TA07013	480/80R42	GRI XLR 80	151	A8/B	TL	3,041	23	479	1,835	5,459	54	DW16L
TA07488	480/80R42	GRI XLR 85	166	B	TL	3,450	23	479	1,835	5,459	54	DW16L
TA07892	480/80R42	UNIGLORY SMARTAGRO R-1W	156/153	A8/B	TL			479	1,835	5,505	55	W16A
TA05438	520/85R42	MARCHER TRACPRO 668 R-1	157	A8/B	TL	4,125	23	536	1,952		52	DW18L
TA00770	520/85R42	TITAN AGRA EDGE R-1W	157	D	TL	4,125	23	529	1,926	5,766	49	DW18B
TA07402	520/85R42	GRI XLR 85	157	A8/B	TL	4,125	23	516	1,951	5,735	56.5	DW16A
TA07895	520/85R42	UNIGLORY SMARTAGRO R-1W	162/159	A8/B	TL			516	1,951	5,750	55	DW16A
TA05434	620/70R42	MARCHER TRACPRO 668 R-1	166	D	TL	5,300	35	625	1,941		52	DW20B
TA07091	620/70R42	GOODYEAR OPTITRAC	166	D	TL	5,300	35	620	1,936	5,852	52	DW20B
TA07135	620/70R42	GRI XLR 70	160	A8/B	TL	4,500	23	625	1,935	5,742	58	DW20B
TA07902	620/70R42	UNIGLORY SMARTAGRO R-1W	160/163	D/A8	TL			625	1,935	5,855	58	DW20B
TA05596	650/65R42	GOODYEAR DT820	170	A8/B	TL	5,987	46	645	1,913	5,740	54	DW20B
TA07137	650/65R42	GRI XLR 65	165/168	D/A8	TL	5,150	35	645	1,913	5,740	59	DW20B
TA07904	650/65R42	UNIGLORY SMARTAGRO R-1W	165/168	D/A8	TL			645	1,913	5,780	57	DW20B
TA06291	710/70R42	GOODYEAR OPTITORQUE	179	D	TL	7,750	46	699	2,068	6,256	46	DW23B
TA07335	710/70R42	GRI XLR 70	173/176	D/A8	TL	6,500	35	716	2,061	6,174	59	DW23B
TA07797	710/70R42	UNIGLORY SMARTAGRO MASTER VF/CFO	182	D	TL			717	2,060	6,180	63	DW25B
TA07798	710/70R42	UNIGLORY SMARTAGRO MASTER VF/CFO	188	A8	TL			717	2,060	6,180	63	DW25B
TA07799	710/75R42	UNIGLORY SMARTAGRO MASTER VF/CFO	184	D	TL			730	2,160	6,410	64	DW25B
TA05617	900/60R42	GOODYEAR OPTITRAC R-1 LSW	200	D	TL	8,000	35	946	2,165	6,507	56	DW30B
TA07670	900/60R42	UNIGLORY SMARTAGRO MASTER VF	189	D	TL			906	2,149	6,428	64	DW30B
TA07800	900/60R42	UNIGLORY SMARTAGRO MASTER VF/CFO	200	D	TL			906	2,149	6,428	64	DW30B

42"



TYRE SIZES

46"

PART NUMBER	SIZE	DESCRIPTION	PLY/LI	SS	TT/TL	CC	PSI	SW	OD	RC	OTD	RW
TA07027	300/95R46	GRI XLR 95	148	A8/B	TL	3,150	58	295	1,738	5,318	36	W9
TA07870	300/95R46	UNIGLORY SMARTAGRO ROW CROP	148/151	D/A8	TL			315	1,738	5,220	40	W9
TA01632	380/90R46	TITAN HI-TRACTION LUG RADIAL R-1	168	A8/B	TL	5,600	78	399	1,836	5,537	40	13.00
TA01693	380/90R46	TITAN HI-TRACTION LUG RADIAL R-1	156	A8/B	TL	4,000	49	399	1,836	5,537	40	13.00
TA01856	380/90R46	TITAN HI-LOAD RADIAL R-1S	168	A8/B	TL	5,600	78	399	1,836	5,537	33	13.00
TA07270	380/90R46	GOODYEAR ULTRASPRAY	168	A8/B	TL	5,600	78	381	1,846	5,631	39	DW13B
TA07801	380/90R46	UNIGLORY SMARTAGRO CROSS VF	173	D	TL			390	1,852	5,556	46	DW13A
TA01645	480/80R46	TITAN HI-TRACTION LUG RADIAL R-1	158	A8/B	TL	4,250	35	478	1,958	5,893	42	16.00
TA06620	480/80R46	VF BKT SPARGO R-1	177	D	TL	7,300	52	480	1,935	5,859		DW16
TA07750	480/80R46	UNIGLORY SMARTAGRO CROSS VF	177	D	TL			485	1,955	5,865	48	DW16A
TA07023	520/85R46	GRI XLR 85	158	A8/B	TL	4,250	23	516	2,052	6,121	57	DW16L
TA07856	520/85R46	UNIGLORY SMARTAGRO R1-W	171/174	D/A8	TL			530	2,051	6,121	58	DW16A
TA07170	620/70R46	GOODYEAR OPTITRAC	177	D	TL	7,300	58	632	2,043	6,202	52	DW20B
TA07669	620/70R46	UNIGLORY SMARTAGRO CROSS VF	179	D	TL			630	2,013	6,040	52	DW21B
TA07187	710/60R46	GOODYEAR OPTITRAC LSW	174	D	TL	6,713	23	715	2,040	6,152	62	DW25B
TA06095	800/55R46	GOODYEAR OPTITRAC LSW	190	D	TL	10,600	46	785	2,067	6,254	61	DW28B
TA05245	1100/45R46	GOODYEAR DT930 LSW	195	D	TL	12,156	35	1,013	2,141	6,424	61	DW38HB
TA05538	1250/35R46	GOODYEAR OPTITRAC LSW	195	D	TL	12,150	35	1,224	2,078	6,362	66	DH44HB
TA05541	1400/30R46	GOODYEAR OPTITRAC LSW	201	D	TL	14,500	46	1,389	2,137	6,314	66	DH50HB



PART NUMBER	SIZE	DESCRIPTION	PLY/LI	SS	TT/TL	CC	PSI	SW	OD	RC	OTD	RW
TA07026	270/95R48	GRI XLR 95	144	A8/B	TL	2,800	58	275	1,733	5,351	35	W9
TA07868	270/95R48	UNIGLORY SMARTAGRO ROW CROP	144/147	D/A8	TL			275	1,750	5,350	38	W8

48"



PART NUMBER	SIZE	DESCRIPTION	PLY/LI	SS	TT/TL	CC	PSI	SW	OD	RC	OTD	RW
TA07201	480/80R50	GOODYEAR OPTITORQUE	179	D	TL	7,756	52	475	2,050	6,235	40	DW15A
TA07751	480/80R50	UNIGLORY SMARTAGRO CROSS VF	179	D	TL			485	2,045	6,135	48	DW16A
TA07472	480/95R50	MICHELIN VF YELDBIB R-1	170	A8/B	TL	6,000	23	470	2,200	6,497	53	DW16A

50"



PART NUMBER	SIZE	DESCRIPTION	PLY/LI	SS	TT/TL	CC	PSI	SW	OD	RC	OTD	RW
TA01704	320/90R54	TITAN AG 49V RADIAL R-1W	154	A8/B	TL	3,750	60	318	1,948	5,918	45	10.00
TA07362	480/70R54	GOODYEAR OPTITORQUE LSW	181	D	TL	7,756	64	480	2,065	6,265	40	W16A
TA07802	480/70R54	UNIGLORY SMARTAGRO CROSS VF	190	D	TL			488	2,299	6,274	54	W16L

54"



LIGHT TRUCK & AIRCRAFT RETREAD

LT	PART NUMBER	SIZE	DESCRIPTION	PLY/LI	SS	TT/TL	CC	PSI	SW	OD	RC	OTD	RW
	TA01113	145R12 C	HIADA HD515	80/70	S	TL	450	50	147	548	1,721		4
	TA01094	155R13 C	HIADA HD515	85/83	S	TL	510	50	157	580	1,821		4.5
	TA00884	165R13	TIAN FU RD228	94/92	S	TL	487	35	165	594	1,865		4.5
	TA07072	185R14 C	HIADA HD718	102/100	S	TL	840	65	188	652	2,047		5.5
	TA00509	195R14 C	HIADA HD717	106/104	S	TL	935	65	198	668	2,098		5.5
	TA00514	31 x 10.50R15 LT	HIADA HD818	109	S	TL	1,030	50	268	775	2,434		8.5
	TA00510	235/75R15 LT	HIADA HD818	104/101	S	TL	900	50	235	733	2,302		6.5
	TA03099	7.50R16	HIADA HD168 (SET)	118/122	N	TT	1,495	110	218	808	2,537		6.0



AR	PART NUMBER	SIZE	DESCRIPTION	PLY/LI	SS	TT/TL	CC	PSI	SW	OD	RC	OTD	RW
	TA00924	20.00-20	AIRCRAFT RETREAD	26 PLY		TT	21,000		508	1,370	4,302		
	TA01459	30/11.50-14.5	AIRCRAFT RETREAD	24 PLY		TT	11,000		292	737	2,314		
	TA01042	40/14.50-19	AIRCRAFT RETREAD			TT	16,000		368	990	3,109		
	TA01044	40/14.00-16	AIRCRAFT RETREAD	24 PLY		TT	12,000		356	990	3,109		
	TA01049	46/18.00-20	AIRCRAFT RETREAD	32 PLY		TT	23,000		457	1,143	3,589		
	TA01054	49/19.00-22	AIRCRAFT RETREAD	32 PLY		TT	25,000		483	1,219	3,828		
	TA01056	50/21.00-20	AIRCRAFT RETREAD	30 PLY		TT	22,000		533	1,245	3,909		

LI Load Indicator **PSI** Pressure **RC** Rolling Circumference
SS Speed Symbol **SW** Section Width **OTD** Original Tread Depth
CC Carrying Capacity **OD** Outer Diameter **RW** Rim Width

OTR TYRE WARRANTY

All tyre products imported by OTR are covered by Manufacturers warranty. As the qualification for warranty replacement varies with different suppliers, please consult with your local OTR Sales Representative for details and assistance.

Any other tyres purchased locally by OTR will be passed to the supplier for warranty consideration.

Any tyre that has a defect that affects the performance of the product which is deemed to be caused by materials used or the manufacturing process shall be deemed warrantable. Again, please consult your local OTR Sales Representative.

CONDITIONS & EXCLUSIONS

- Tyres less than 2mm tread depth shall be deemed to be worn out.
- Warranty only if tyre is deemed unusable because of materials used or manufacturer's process.
- In the event that the tyre is deemed warrantable by OTR - it shall be replaced with an equivalent tyre of the brand only being replaced.
- To the extent permitted by law, OTR and its distributors disclaims liability for downtime, damages, loss of vehicle use or inconvenience.
- It is the owner's responsibility to operate the tyres within the load/speed/pressures as specified by the manufacturer. It is the owner's responsibility to seek such information.
- This warranty policy applies only to new tyres:
 - The original purchaser of the tyre and is not transferable.
 - The original equipment that the tyre was originally fitted.
- All replacement tyres will be supplied only after the tyre is inspected and authorised by OTR.
- No tyres shall be supplied as "Pending Warranty Inspection"

EXAMPLES OF NON WARRANTABLE CONDITIONS

- Field or Road Hazards e.g. cuts, punctures, stubble damage, impact damage, tears/cuts in tread shoulder or sidewalls.
- Under inflation, overload or excessive speed abuse.
- Any repair or incorrect fitting of tyre.
- Vehicle defects including misalignment, worn mechanical parts.
- Mismatching of dual tyres or incorrect matching front to rear size differentials.





OTR

MADE IN AUSTRALIA

AGRICULTURAL AXLES

This catalogue is intended as a guide to cover the range of products supplied by OTR - Tyre Wheels Axles. Please contact our National Customer Service Centre 1300 CALL OTR for a current list price. All goods sold by OTR - Tyre Wheels Axles are covered by manufacturer's warranty.

Whilst all efforts have been made to publish this document with respect to accuracy supplied by manufacturers of products, OTR - Tyre Wheels Axles accepts no responsibility for claims resulting from information provided herein. All sales are covered by OTR - Tyre Wheels Axles Conditions of Sales and Credit Terms.

It is the responsibility of the purchaser to check all goods supplied by OTR - Tyre Wheels Axles at time of delivery. Errors in delivery must be reported to OTR - Tyre Wheels Axles Customer Service Department within 24 hours of receipt and any incorrect deliveries at the fault of OTR - Tyre Wheels Axles will be replaced by OTR - Tyre Wheels Axles without cost to the Dealer.

All goods returned outside these parameters shall be subject to a 10% surcharge and freight for returned goods shall be at the purchaser's cost. OTR - Tyre Wheels Axles return procedure must be followed otherwise goods will not be accepted.



PRODUCTS BUILT WITHOUT COMPROMISE

SPIDER STUB AXLES

Only one size available. 100mm square shaft with 5 spike spider type hub. Designed to use demountable 20" and 22.5" truck wheels with 28 degree mounting flange. Spider stub axle assembly will only accept dual wheels. Capacity per assembly is 6,000kg or 12,000kg for full axle.

DOUBLE SIDED STUB AXLES

This stub axle assembly was designed for a Castor wheel, where the axle protrudes on both sides of the hub. Mounting is done by an arm on both sides of the wheel (also referred to as a yoke). Capacities range from 500kg to 7,000kg, each 5 stud hubs to 10 stud on 335 PCD.

FULL AXLE

These are manufactured using a round or square shaft with hubs designed to suit your application. Hubs have high speed tapered roller bearings. Most of our axles are manufactured to European specifications, i.e: 5 on 140 PCD, 6 on 205 PCD, 8 on 275 PCD, 10 on 335 PCD, however specials can be accommodated. 3,000kg & above have triple lipped seals & bolt on caps.

Capacities: 1,000kg to 40,000kg **Shaft Size:** 39ø to 150ø | 40ø to 100ø **Axle Lengths:** Up to 5,000mm long

BRAKED STUB AXLES

Designed for agricultural applications. A stub or full axle with a drum brake attached to the hub, the backing plate which supports the brake shoes is welded to the axle. The brakes are operated by a cam lever (sometimes referred to as an S-Cam) which is mechanical and can be operated by cable, air or hydraulic cylinder. Hydraulic cylinder is most common as this can be operated by the tractor's hydraulics. Hydraulic cylinder to operate the brake is also available.

Capacities: 3t/axle to 30t/axle **Max Speed:** 30 km/h
Brake Drum Sizes: 250mm x 40mm to 406mm x 120mm

STUB AXLES

These are manufactured using a round or square shaft (usually short) with hubs designed to suit your application. Hubs have high speed tapered roller bearings. Standard range is to European specifications however some specials can be manufactured. 1,600kgs capacity and above have triple lipped seals bolt on caps with grease nipples. Stub axles are usually used where an extra long axle is required by placing a beam between them.

Capacities: 500kg to 20,000kg
Shaft Size: 39ø to 150ø | 40ø to 100ø

STEERABLE AXLE ASSEMBLIES

A short stub or full length axle complete with hub, including a vertical shaft (known as a King Pin) which allows the hub to pivot. Used for changing direction (steering).

Stub axles Available in 5 on 140 or 6 on 205

Full Axles Available in 5 on 140, 6 on 205 or 8 on 275

Self Steering Available in 10 on 335 PCD hubs

Capacities: 3 tonne to 7 tonne/PR

Capacities: Upto 7 tonne **Length:** As required

Capacities: 20 tonne **Length:** 3 metres

24, 30, 40 & 45 TONNE BALANCED SELF STEERING SUSPENSION

24, 30, 40 & the new 45 tonne self steering suspension. A wheel base of 2,000mm which will accommodate a range of wheel and tyre assemblies. The walking beam type suspension is ideal to distribute the load evenly, while the self-steering on the rear tyres offers great stability and maneuverability. Double action hydraulic cylinders are used to lock out for reversing, and the mounting channel is easily adapted to any chassis. Mechanical drum brakes can be added as an option.

Features & Benefits: Capacity of 24, 30, 40 & 45t at 25kph | Custom made | Superior quality reducing maintenance with higher safety | Walking beam distributes the load evenly | Mounting channel adapted to any chassis | Self steering for great maneuverability & tyre life | Double action cylinders lock during reversing | Increased service life & proven reliability.



For many years, throughout the world and Australia, OTR products have become the first choice of leading OEMs (Original Equipment Manufacturers) for mining, agricultural, construction, infrastructure, forestry and industrial companies.

OTR heavy duty parts and components are developed with one result in mind – to maximize the uptime of your work fleet. That's why we only supply the highest quality, innovative solutions tailored for your specific needs, and why we offer reduced manufacturing times compared to our competitors.

This is matched by OTR's comprehensive product support. Our Australia wide Service Centres, including our on-site capabilities, offer comprehensive on site inspections. All OTR maintenance, repair and replacement services are carried out by highly trained staff using the latest diagnostic tools.

Our work is guaranteed to meet the highest Australian standards and is backed by OTR's comprehensive global technical and logistical facilities. For added peace of mind, OTR offers an extensive warranty on parts and service. The bottom line is, by choosing OTR axles your vehicles will spend more time at work, less time in the workshop and be safer for your operators. At OTR - Tyres Wheels Axles we don't compromise, nor should you.

MANUFACTURER & DISTRIBUTOR OF WORLD'S TOUGHEST AXLES

Complete axle assemblies and spare parts range. Specialists in the agricultural market place, national supply of OEM's and aftermarket parts, experienced manufacturer and designer of quality controlled and endorsed products. Tailoring of product capabilities to suit any need.

SUPPORT AUSTRALIAN MANUFACTURING & BUY AUSTRALIAN

OTR proudly manufactures Australia's largest range of agricultural axles. These axles are manufactured in Australia to suit Australian conditions.

The range of components described in this catalogue is broad but not exhaustive and mostly shows our standard or "off-the-shelf" items. Specifications may vary from time to time as products are improved or new additions are made to our line-up to better serve you, the customer.

To assist you gather price and technical data we've introduced "Fastrack Enquiry" pages. Just copy these, send to us and we'll attend to your query promptly - mostly same day. Alternatively, call our technical department on **1300 CALL OTR**.

If you can't find the axle product you're looking for, chances are we can make it for you. Axles are our business from drawing board to prototype and finally to low or high volume production runs at the right price.

OTR'S WORLD CLASS CUSTOMER SERVICE

With nation wide Customer Service and Wheel and Rim Service Centres strategically positioned around Australia, OTR is able to provide a full product and technical support service. Our highly trained and knowledgeable staff and fully equipped Service Centres make testing, maintenance, service and part replacement quick and easy for fewer vehicle down time.

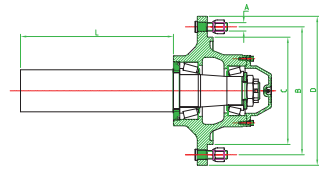
THE BENEFITS OF CHOOSING OTR AXLES INCLUDE:

- ✓ Manufactured in Australia to suit your performance priorities
- ✓ Capacity - 500kg to 20,000kg at 25kph
- ✓ Design flexibility - custom design and small runs
- ✓ Heavy duty design - increased service life and proven reliability
- ✓ Superior quality means reduced maintenance with higher safety margins
- ✓ Bolt on dust caps - superior protection against the Australian environment
- ✓ Triple lip seal - ensuring longer service life and easy maintenance

OTR - TYRES WHEELS AXLES SERVICE CENTRES OFFER:

- ✓ An extensive range of OTR Wheels, Rims, Axles and Tyres
- ✓ Tailoring of new components to suit individual needs
- ✓ Reduced manufacturing times compared to our competitors
- ✓ Repairs to OEM specifications
- ✓ Environmental accreditation
- ✓ Extensive Parts and Service Warranties on all products sold
- ✓ Quality controlled and endorsed products to Australian Standards - 4457.1 2007
- ✓ ISO 9001 - 2008

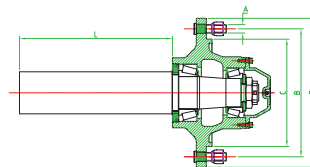
STUB AXLE ASSEMBLIES



MODEL	CAPACITY OF STUB (KG) AT 25 KM/H	STUB MATERIAL (MM)		NUMBER OF STUDS	A STUD SIZE	B PCD (MM)	C SPIGOT (MM)	D FLANGE Ø (MM)	L STUB SIZE (MM)
		ROUND Ø	SQUARE (W)						
AH 20SF	500	39	40	5	1/2" UNF	114.30	60	140	143
	500	39	N/A	5	1/2" UNF	114.30	60	140	193
	500	39	40	5	7/16" UNF	107.95	60	140	143
	500	39	40	4	1/2" UNF	101.60	60	140	143
AH 20	500	39	40	5	1/2" UNF	114.30	60	150	143
	500	39	N/A	5	1/2" UNF	114.30	60	150	193
	500	39	40	5	1/2" UNF	120.65	60	150	143
	500	39	40	5	1/2" UNF	120.65	60	150	193
	500	39	N/A	4	1/2" UNF	100.00	60	150	143
AH 20WF	500	39	40	6	1/2" UNF	100.00	60	190	143
AH 20-HD	500	39	N/A	5	7/16" UNF	107.95	66	140	124
	500	39	N/A	5	1/2" UNF	114.30	66	140	124
AH 25	625	45	45	5	7/16" UNF	107.95	60	150	200
	625	45	45	5	1/2" UNF	120.65	60	150	200
	625	45	45	5	1/2" UNF	114.30	60	150	200
AH 25WF	625	45	45	6	1/2" UNF	139.70	60	190	200
AH 30	750	45	45	5	7/16" UNF	107.95	67	172	203
	750	45	45	5	1/2" UNF	120.65	67	172	203
	750	45	45	5	1/2" UNF	114.30	67	172	203
	750	45	45	6	1/2" UNF	139.70	67	172	203
AH 40	1,000	50	50	6	1/2" UNF	152.40	92	183	234
	1,000	50	50	6	1/2" UNF	139.70	92	183	234
	1,000	N/A	50	5	M14 x 1.5	150.00	92	183	234
AH 50	1,600	56	N/A	6	1/2" UNF	152.40	93	191	272
	1,600	N/A	63	6	9/16" UNF	152.40	93	191	272
	1,600	56	63	6	1/2" UNF	139.70	93	191	272
HD 50	1,800	-	50	6	M18 x 1.5	205	160	250	200
HD 50	2,000	N/A	63	6	1/2" UNF	139.7	93	191	272
60H-6	2,500	65	63	6	M18 x 1.5	205	160	250	300
75H-6	3,500	75	N/A	6	M18 x 1.5	205	160	250	300
75H-8	3,500	75	N/A	8	M18 x 1.5	275	220	320	300
80-6	4,000	80	80	6	M18 x 1.5	205	160	250	353
80-8	4,000	80	80	8	M18 x 1.5	275	220	320	353
90H-8	5,500	N/A	90	8	M20 x 1.5	275	220	320	348
90H-10	5,500	N/A	90	10	M22 x 1.5	335	280	381	348
SH-100	6,000	N/A	100	5	M20 x 1.5	445	N/A	490	400
92H-8	6,500	92	N/A	8	M20 x 1.5	275	220	320	348
92H-10	6,500	92	N/A	10	M22 x 1.5	335	280	380	348
100H-10	6,500	N/A	100	10	M22 x 1.5	335	280	380	400
100H-10	9,000	110	N/A	10	M22 x 1.5	335	280	380	400
110H-10	15,000	110	N/A	10	M22 x 1.5	335	280	390	400
150H-12	20,000	150	N/A	12	M24 x 1.5	425	370	486	500

WHEEL FITMENT	JOURNAL Ø (MM)		BEARING NUMBERS		SHIPPING WEIGHT (KG)		PART NUMBER	
	INNER	OUTER	INNER	OUTER	ROUND	SQUARE	ROUND	SQUARE
Ford	31.75	19.05	67048/10	11949/10	4.34	4.51	033.207.010	033.209.010
Ford	31.75	19.05	67048/10	11949/10	5.00	N/A	033.208.010	N/A
HT Holden	31.75	19.05	67048/10	11949/10	4.27	4.63	033.199.010	033.201.010
Mini	31.75	19.05	67048/10	11949/10	4.23	4.64	033.219.010	033.221.010
Ford	31.75	19.05	67048/10	11949/10	4.62	4.99	033.211.010	033.213.010
Ford	31.75	19.05	67048/10	11949/10	5.15	N/A	033.212.010	N/A
HQ Holden	31.75	19.05	67048/10	11949/10	4.65	4.89	033.195.010	033.197.010
HQ Holden	31.75	19.05	67048/10	11949/10	5.15	5.50	033.196.010	033.198.010
Space Saver	31.75	19.05	67048/10	11949/10	4.36	N/A	033.699.010	N/A
Toyota	31.75	19.05	67048/10	11949/10	5.84	6.24	033.215.010	033.217.010
HT Holden	31.75	19.05	67048/10	11949/10	5.70	N/A	033.711.010	N/A
Ford	31.75	19.05	67048/10	11949/10	5.75	N/A	033.746.010	N/A
HT Holden	35	22	68149/10	12749/10	5.65	6.55	033.229.010	033.230.010
HQ Holden	35	22	68149/10	12749/10	5.92	6.64	033.225.010	033.226.010
Ford	35	22	68149/10	12749/10	5.97	6.60	033.228.010	033.227.010
Toyota	35	22	68149/10	12749/10	7.34	7.88	033.232.010	033.231.010
HT Holden	35	25	30207	30205	6.9	7.5	033.290.010	033.291.010
HQ Holden	35	25	30207	30205	6.9	7.9	033.292.010	033.293.010
Ford	35	25	30207	30205	6.9	7.9	033.294.010	033.295.010
Toyota	35	25	30207	30205	7.4	7.9	033.298.010	033.299.010
US Tractor	40	30	30208	30206	9.8	11.0	033.288.010	033.239.010
Toyota	40	30	30208	30206	9.8	11.0	033.283.010	033.282.010
Toyota	40	30	30208	30206	N/A	12.0	N/A	033.684.010
US Tractor	45	30	30209	30206	13.3	N/A	033.275.010	033.274.010
US Tractor	45	30	30209	30206	N/A	16.0	N/A	033.427.010
Toyota	45	30	30209	30206	13.3	16.0	033.767.010	033.824.010
Bedford (Din)	40	30	32206	32209	N/A	12	N/A	034.485.010
Toyota	45	30	32209	32206	N/A	16	N/A	033.859.010
Bedford (Din)	55	40	30211	30208	25	23	033.412.010	033.261.010
Bedford (Din)	65	50	32213	32210	28	N/A	033.158.010	034.406.010
Bedford (Din)	65	50	32213	32210	35	N/A	033.169.010	N/A
Bedford (Din)	70	50	30214	30210	41	42	033.413.010	033.811.010
Bedford (Din)	70	50	30214	30210	42	43	033.260.010	033.403.010
Bedford (Din)	80	55	32216	30311	N/A	54	N/A	033.129.010
European Truck (Din)	80	55	32216	30311	N/A	68	N/A	033.140.010
Demountable Rim 20" - 22.5"	89.974	66.675	HM218248	HM212049	N/A	75	N/A	033.390.010
Bedford (Din)	80	55	32216	30311	49	N/A	033.332.010	N/A
European Truck (Din)	80	55	32216	30311	63	N/A	033.315.010	N/A
European Truck (Din)	85	65	32217	32213	N/A	75	N/A	033.259.010
European Truck (Din)	85	65	32217	32213	80	N/A	034.389.010	N/A
European Truck (Din)	85	75	33217	33215	84	N/A	033.438.010	N/A
Earthmover	120	105	30224	32021	185	N/A	033.258.010	N/A

FAD STUB AXLE ASSEMBLIES & SPARES



MODEL	CAPACITY OF STUB (KG) AT 25 KM/H	STUB MATERIAL (MM)		NUMBER OF STUDS	A STUD SIZE	B PCD (MM)	C SPIGOT (MM)	D FLANGE Ø (MM)	L STUB SIZE (MM)
		ROUND Ø	SQUARE (W)						
50S-5	1,600	N/A	50	5	M16 x 1.5	140	93	175	200
	1,600	N/A	50	5	M16 x 1.5	140	93	175	250
60-6	2,500	N/A	60	6	M18 x 1.5	205	160	245	300
70H-6	3,750	N/A	70	6	M18 x 1.5	205	160	245	300
70H-8	3,750	N/A	70	8	M18 x 1.5	275	220	320	300
80H-8	4,500	N/A	80	8	M18 x 1.5	275	220	320	350
90H-8	5,500	N/A	90	8	M20 x 1.5	275	220	320	350
90H-10	5,500	N/A	90	10	M22 x 1.5	335	280	380	350
100-10	6,500	N/A	100	10	M22 x 1.5	335	280	380	400

COMPLETE STUB ASSEMBLY	SERIES	STUD	NUT	INNER BEARINGS	OUTER BEARING
TA00145	50-5	M16 x 1.5	M16 x 1.5	30209	30206
PART NUMBER		FSP43	FSP33	920.000.767	920.000.792
TA00150	60-6	M18 x 1.5	M18 x 1.5	30211	30208
PART NUMBER		FSP44	FSP34	920.001.687	920.000.768
TA00152	70H-6	M18 x 1.5	M18 x 1.5	32213	32210
PART NUMBER		FSP44	FSP34	920.000.803	920.000.802
TA00155	70H-8	M18 x 1.5	M18 x 1.5	32213	32210
PART NUMBER		FSP44	FSP34	920.000.803	920.000.802
TA00157	80H-8	M18 x 1.5	M18 x 1.5	32215	32211
PART NUMBER		FSP44	FSP34	920.000.798	TA03869
TA00161	90H-8	M20 x 1.5	M20 x 1.5	32216	32212
PART NUMBER		FSP45	FSP35	920.000.799	N/A
TA00158	90H-10	M22 x 1.5	M22 x 1.5	32216	32212
PART NUMBER		FSP46	FSP36	920.000.799	N/A
TA00142	100-10	M22 x 1.5	M22 x 1.5	32217	32213
PART NUMBER		FSP46	FSP36	920.001.210	920.000.803



For Agricultural & Industrial trailer applications

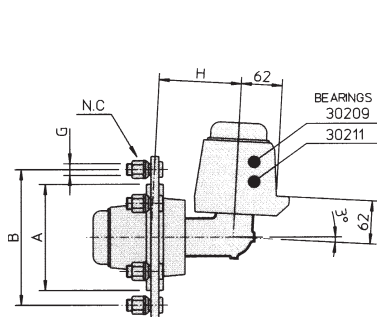
WHEEL FITMENT	JOURNAL Ø (MM)		BEARING NUMBERS		SHIPPING WEIGHT (KG)		PART NUMBER	
	INNER	OUTER	INNER	OUTER	ROUND	SQUARE	ROUND	SQUARE
Din Standard	45	30	30209	30206	N/A	10	N/A	TA00145
Din Standard	45	30	30209	30206	N/A	11	N/A	TA00145
Din Standard	55	40	30211	30208	N/A	16	N/A	TA00150
Din Standard	65	50	32213	32210	N/A	26	N/A	TA00152
Din Standard	65	50	32213	32210	N/A	33	N/A	TA00155
Din Standard	75	55	32215	32211	N/A	30	N/A	TA00157
Din Standard	80	60	32216	32212	N/A	45	N/A	TA00161
European Truck (Din)	80	60	32216	32212	N/A	52	N/A	TA00158
European Truck (Din)	85	65	32217	32213	N/A	67	N/A	TA00142

SEAL	SEAL RING	DUST CAP	AXEL NUT	SPLIT PIN	TAPERED WASHER
53 x 85 x 10	45.5 x 53 x 13	62mm	M27 x 2	35mm	N/A
FSP74	033.255.010	FSPDC62	FSP21 A	N/A	N/A
70 x 100 x 10	55.5 x 70 x 13	80mm	M33 x 2	45mm	N/A
FSP76	FSP68	FSPDC80	FSP22	N/A	N/A
80 x 120 x 12	67 x 80 x 13	90mm	M42 x 2	55mm	N/A
FSP77	FSP63	FSPDC90	FSP24	N/A	N/A
80 x 120 x 12	67 x 80 x 13	90mm	M42 x 2	55mm	N/A
FSP77	FSP63	FSPDC90	FSP24	N/A	N/A
90 x 130 x 12	77 x 90 x 13	100mm	M45 x 2	75mm	N/A
FSP86	FSP67	FSPDC100	FSP25	N/A	N/A
100 x 140 x 12	100 x 82 x 15	110mm	M45 x 2	75mm	M20
FSP80	FSP64	FSPDC110	FSP25	N/A	FSP54
100 x 140 x 12	100 x 82 x 15	110mm	M45 x 2	75mm	M22
FSP80	FSP64	FSPDC110	FSP25	N/A	FSP55
110 x 150 x 12	87 x 100 x 16	120mm	M45 x 2	75mm	M22
FSP81	033.963.010	FSPDC120	FSP25	N/A	FSP55

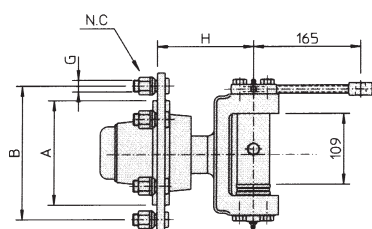


STUB AXLES

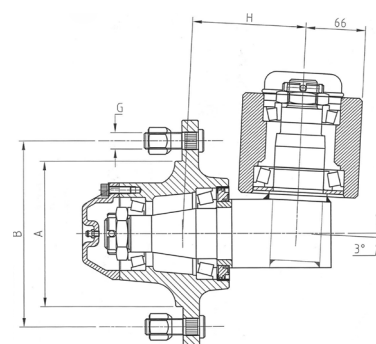
PART NUMBER	TYPE	CARRYING CAPACITY (KG)		NC NO. OF STUDS	G NUTS	A SPIGOT	B PCD	H LENGTH
		25 KM/H	40 KM/H					
WBV023	2	1,500	1,300	5	M16 x 1.5	93	140	140
WBV022	2	1,800	1,600	6	M18 x 1.5	160	205	125
TA00473	2	2,000	1,800	6	M18 x 1.5	160	205	125
TA00475	3	1,500	1,300	5	M16 x 1.5	93	140	140
TA00474	3	1,500	1,300	6	M18 x 1.5	160 <td 205	140	
034.421.010	2	2,500	2,000	6	M18 x 1.5	160	205	135



2



3

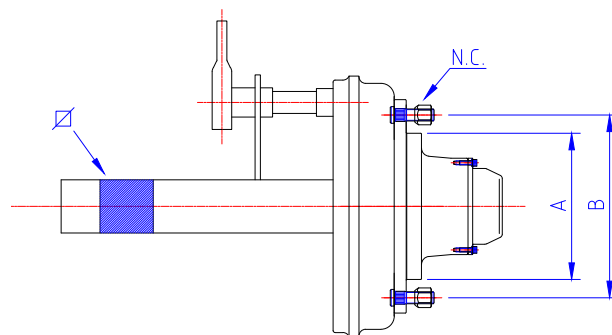


2 - 034.421.010

FITTED WITH MECHANICAL DRUM BRAKES

Capacity is rated at 25km/h. The below stub axles and brake assemblies are designed for agricultural applications.

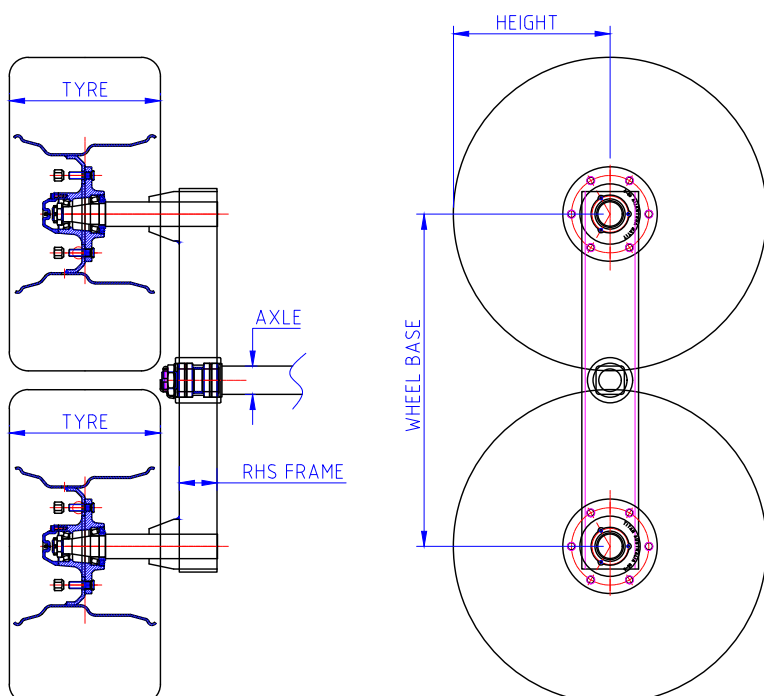
***High speed 60km/h**



PART NUMBER	CAPACITY EACH (KG)	MATERIAL SQUARE (MM)	NC NO. OF STUDS	A SPIGOT	B PCD	BRAKE DIAMETER	BRAKE WIDTH (MM)
TA00213*	3,500*	70	6 x 18mm	160	205	300G	60
TA00210	4,500	80	8 x 18mm	220	275	350G	60
TA00211	5,500	90	8 x 20mm	220	275	400G	80
TA00209	5,500	90	10 x 22mm	280	335	400G	80
TA00208	6,500	100	10 x 22mm	280	335	400G	80
TA00523	7,500	100	10 x 22mm	280	335	406G	120
TA00524	7,500	100	10 x 22mm	280	335	406G	120
TA05116	7,500	130 x 14 SHS	10 x 22mm	280	335	400G	120

WALKING BEAM AXLE ASSEMBLIES

PART NUMBER	CARRYING CAPACITY
139.686.010	3 Tonne
139.690.010	3 Tonne
139.711.010	6 - 7 Tonne
139.717.010	6 - 7 Tonne
139.309.010	8 Tonne
139.948.010	10 - 12 Tonne



HEAVY LOADS, LOW SPEED ON UNEVEN TERRAIN

For use in agricultural/mining and forestry operations, or wherever heavy loads are required to be moved at low speed over uneven terrain. Walking beam assemblies can be manufactured in our factory to suit your application. Check technical department for sizes.

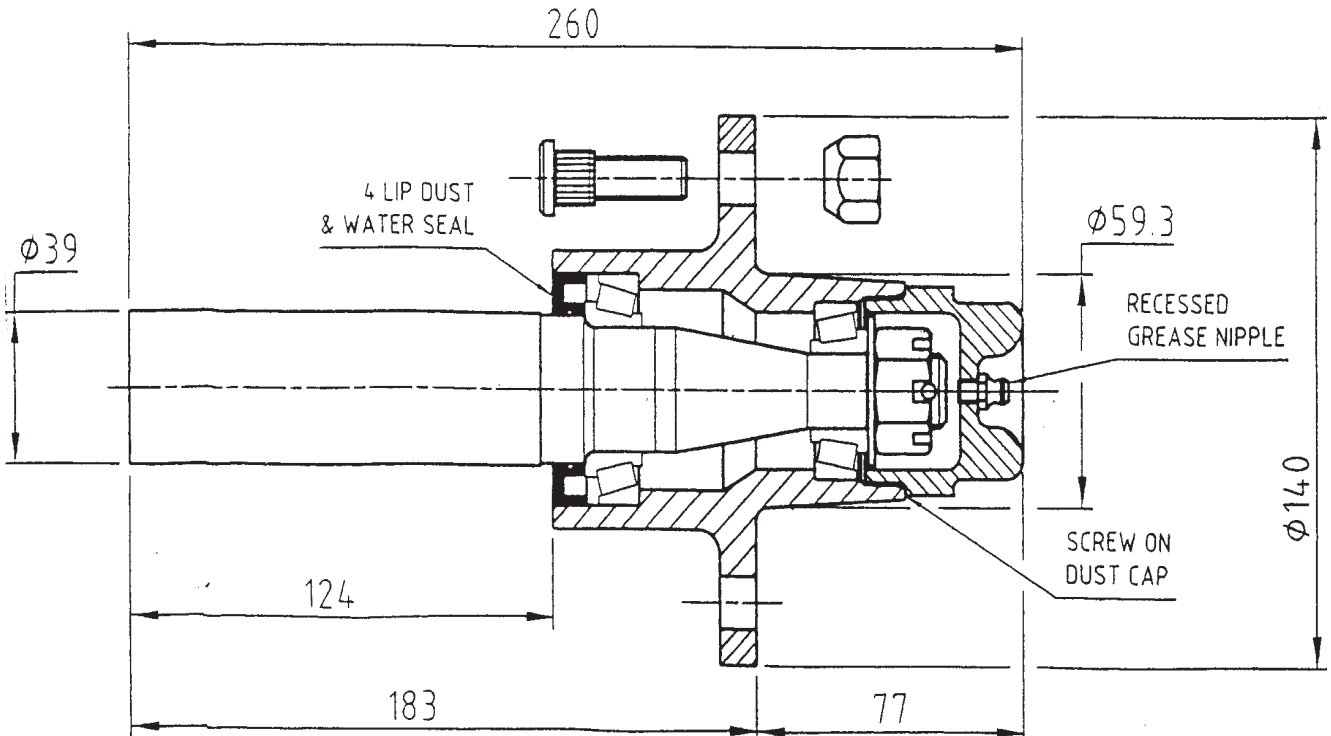
Ten tonne versions are typically fitted with:

- 11"x 19" 3 piece wheel (8 stud)
- 42"x 16"x 19" aircraft tyre for strength and resistance to puncture

Various tyre & wheel combinations are available.



500KG STUB AXLES



SPECIFICATIONS

Part Numbers	033.711.010 033.746.010 (unassembled)
Model	AH20-HD
Capacity Each (Off-Road)	500kg at 40km/h
Capacity Each (On-Road)	500kg at 100km/h
Axle	39mm Round K1045
Hub	ASTM 65 - 45 - 12 Casting
Dust Cap (Screw-On With Grease Nipple)	180 Grey Iron
Bearings	Inner 67048/10 Journal 1.25" Outer 11949/10 Journal 0.75"
Seal (Off-Road)	4 Lips
Seal (On-Road)	2 Lips
Stud Patterns	HT Holden 5 on 41/4" PCD Ford 5 on 41/2" PCD

- Designed for the most arduous Australian agricultural conditions
- Reduced downtime
- Reduced servicing costs
- Increased reliability
- Heavy duty cast iron screw-on dust caps with grease nipple and 4-lip seal provide an effective dust/water barrier
- Eliminate bearing failure caused by lost press in dust caps or failed light duty seals
- Specifications subject to change without notice

SIDRA SUSPENSIONS

Dynamic Stability: The FAD ASSALI SIDRA® system is designed with the advantage of improved trailer handling characteristics, resulting in a unique driving experience, regardless of whether you are moving on or off-road. Thanks to the independent, interconnected set of hydraulic cylinders, the system is able to adapt instantaneously to the unevenness of the ground the vehicle is traveling onto.

Reduced Fuel Consumption: The limited amount of stresses transmitted to the tractor through the coupling allow for a smoother movement of the whole vehicle in the field. Less power is required from the tractor engine resulting in a reduced fuel consumption rate and a better driving feel. Ease of installation: one of the additional benefits of the system lies in its ease of installation. Just a few bolts are needed for the fixing onto the machine frame, ensuring a time and cost-saving assembly process

onto the final vehicle. Alternatively, the system can be easily welded into place.

Maximum Flexibility: All SIDRA® modules are equipped with either fixed or steering stub-axles and self - or forced steering systems, which can be easily combined for a single, tandem or tridem axle configuration trailer. Also available upon request are different track widths, which can be varied on demand according to the type of application and tyre used, and customised versions for special trailers.

Storage: Modules are palletized vertically so to occupy the least space possible, advantage both for transport and for storage by the customer.

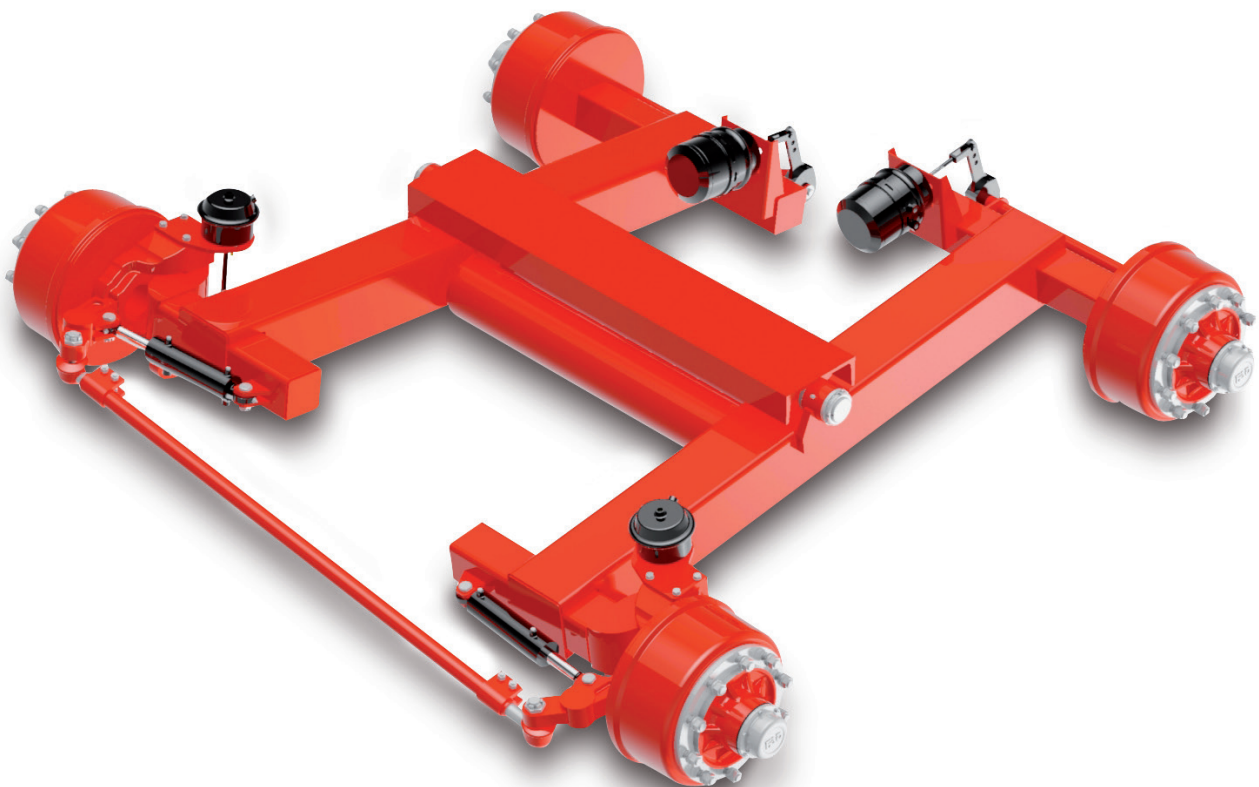
A COMPLETE SUSPENSION SYSTEM

Consisting of a self-loading structure, braked stub-axles and hydraulic circuit. Available for load carrying capacities up to 14,000kg/module.

- Braked steel hubs stub axles homologated according to the EEC 71/320 regulation up to 105km/h
- Front axle lifting kit
- Additional accessories available upon request:
- Steering reverse motion locking system
- ABS and RDS options
- Nitrogen accumulators
- Locking valves

WALKING BEAM TAG TANDEM AGGREGATE BALANCERS

Available with 4 stub axles: 2 Fixed and 2 Self-Steering stub axles or 2 forced steering stub axles. Also available without brakes. Also available with different carrying capacities from those shown.



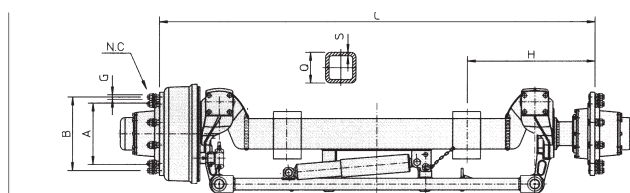
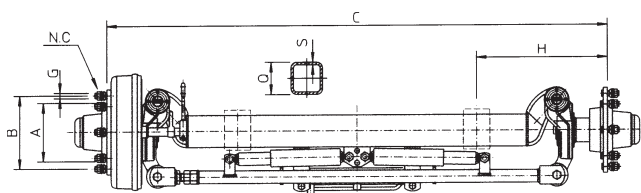
STEERING AXLES

WITH & WITHOUT BRAKES

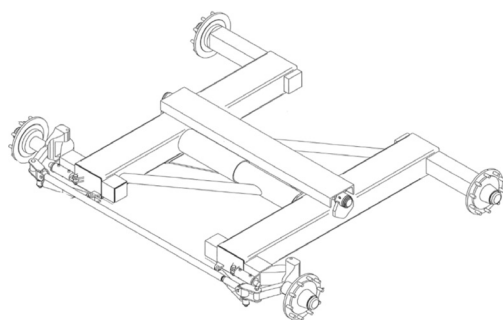
Capacity: 5,500 - 18,000kg

Speed: Up to 80km/h

Available: On order for OEM users



SELF STEERING SUSPENSION



TA01522 - 24 tonne | **139.831.010** - 30 tonne
139.752.010 - 40 tonne | **140.007.010** - 45 tonne



- OTR's 24, 30, 40 and 45 tonne balanced self-steering suspension
- A wheel base of 2000mm which will accommodate 30.5 x 32 tyres
- Self-steering on the rear tyres offers great stability
- The walking beam type suspension is ideal to distribute the load evenly
- Double action hydraulic cylinders are used to lock out for reversing
- The mounting channel is easily adapted to any chassis
- Mechanical drum brakes can be added as an option
- For more details please contact OTR's customer service centre on **1300 CALL OTR**

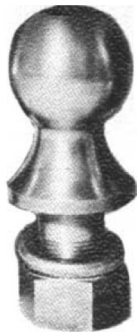
BALL COUPLINGS

HEAVY DUTY AUTO LOCK

AUTO-LOCK couplings lock automatically when ball enters coupling jaws. All couplings come with a manual pin lock, which must be engaged prior to moving vehicle. If you are using a ball coupling for towing on Australian roads, it must be A.D.R. approved. OTR type SM300 and GP300 have been fully tested and certified by a Government approved testing authority. Couplings should be supplied with OTR tested steel balls - don't use substitutes. Non-original balls will void ADR62/02 approval.

ON-ROAD COUPLINGS

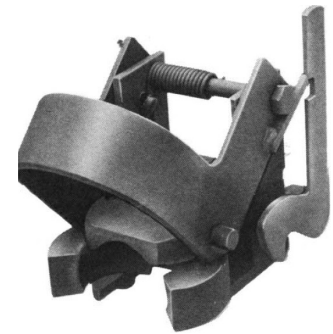
- 3 inch (76.2mm) ball couplings
- 2 types
- Use for on or off-road applications
- Approved & tested to ADR62/02
- Fully tested
- For full safety use manual pin lock
- Only complies with ADR's when used with OTR's approved matching steel balls



139.334.010



GP-300AE



SM300AE

PART NUMBER	MODEL	WEIGHT (KG)	CAPACITY (KG)	TO SUIT
139.334.110	SM300AE	8.2	10,000	76.2mm Ball
139.334.120	GP-300AE	9.2	10,000	76.2mm Ball

OFF-ROAD COUPLINGS

- 58.737mm (2 5/16")
- Approved coupling for off-road agricultural and industrial uses
- All steel, heavy duty coupling
- Back tractor into implement & coupling closes automatically
- Well proven
- For full safety, use manual pin lock



139.592.010



FB2516AE

PART NUMBER	MODEL	WEIGHT (KG)	CAPACITY (KG)	TO SUIT
139.592.050	FB-2516AE	8.2	6,000	58.737mm Ball



OTR AXLES, STUB AXLES & WHEELS

AXLE FEATURES & BENEFITS

SUPERIOR HEAVY DUTY AUSTRALIAN:

With increased service life, Designed to suit Australian climate and work environment and the ability to survive the harsh Australian farming/mining environment coupled with proven reliability.

HIGH QUALITY MATERIAL:

High quality product with long service life.

LARGE RANGE:

OTR provides design flexibility with a wide range of choice from 250kg to 40,000kg, the largest range in Australia and a full range of spare parts available.

FLEXIBLE PRODUCTION:

Allows for small runs of custom designs for OEM's to increased options and paired with prompt delivery.

BOLT ON CAST DUST CAPS:

Superior strength and protection against the harsh Australian environment.

TRIPLE LIP SEAL & WEARING RINGS:

60 - 150 series provides superior protection against the harsh Australian environment with longer service life and easy servicing for extended hub life.

COMPETITIVE PRICING:

Excellent value for money with lower production costs.

WHEEL FEATURES & BENEFITS

WORLDS LARGEST RANGE AVAILABLE:

4" - 63" diameter wheels available and servicing all the agricultural, industrial and mining industries.

LARGE RANGE OF OFF SHELF DESIGN:

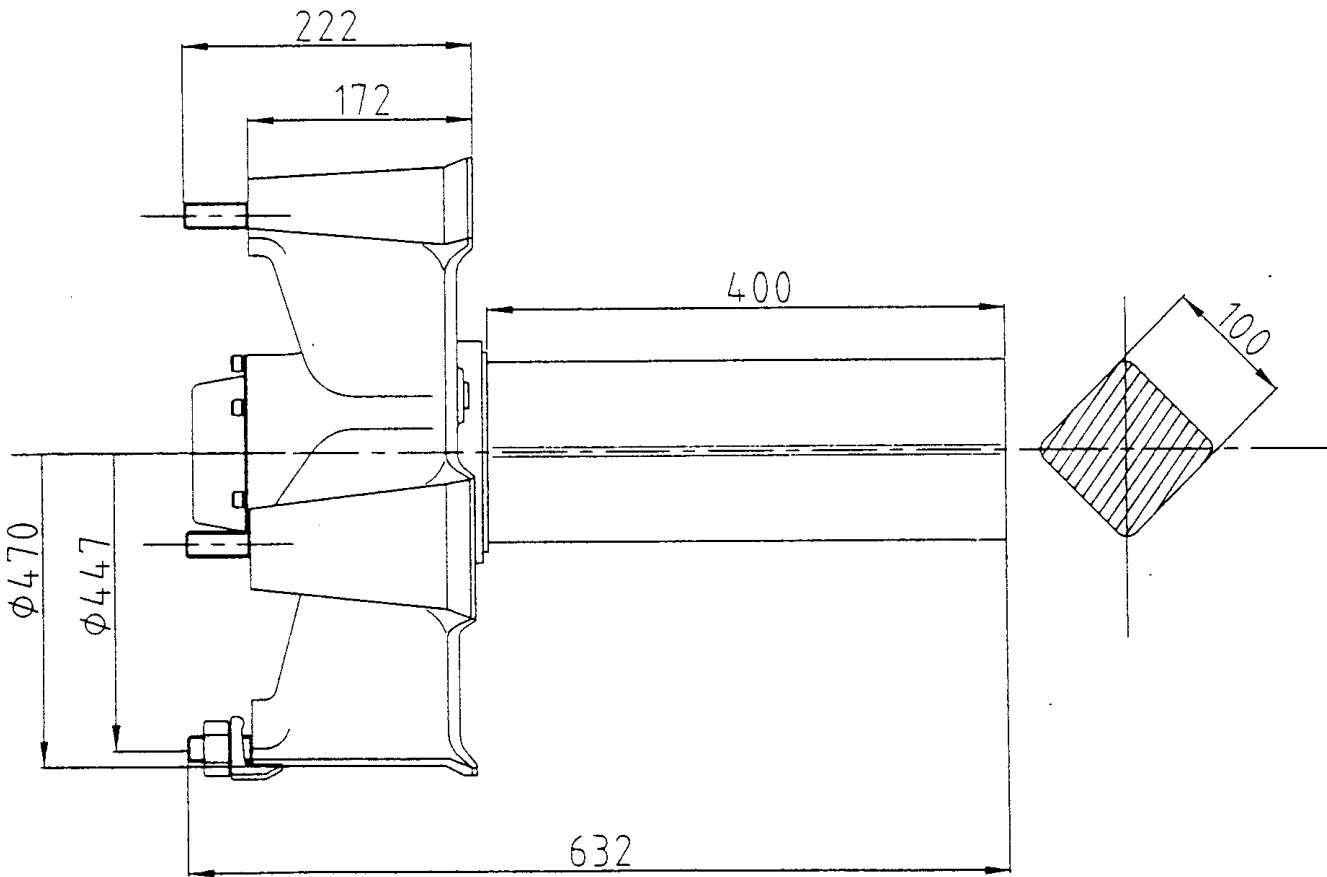
Off the shelf designs provide for quick delivery and lower prices by offering a standard range of wheels.

FACILITIES WORLDWIDE:

Extensive manufacturing and testing facilities worldwide allow for an infinite range of standard and custom made designs. With quality product backed by vast technical support, OTR produce purpose designed wheels that give optimum strength and working life.

HIGH QUALITY MATERIALS:

Including heavy duty pressed centres containing high quality and high strength with safety, long service life, reduced down time and better reliability.



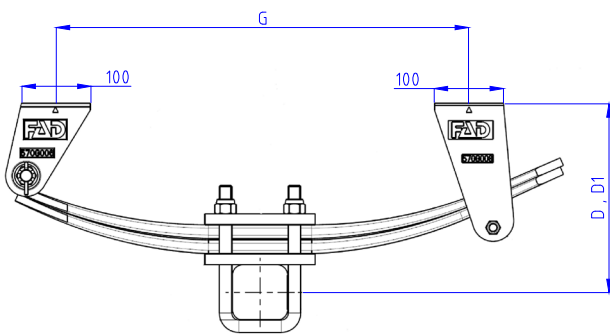
SPECIFICATIONS	
Part Numbers	033.390.010
Model	SH 100
Capacity Each (Off-Road)	6 tonnes
Capacity Each (On-Road)	Not For On-Road Use
Axle	100mm Square S1045
Bearings	Inner HM218248/HM218210 Outer HM212049/HM212010
Weight	75kg
Application	Trailers

- To suit 20"/22.5" demountable rims
- Available as weld-in stub assemblies or full-width axles
- Standard axle complete with studs, nuts and clamps

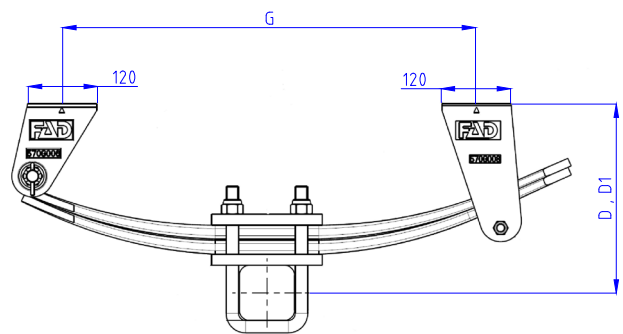
SINGLE & TANDEM SPRING SETS

SINGLE SPRING

PART NUMBER	IMAGE	CAPACITY (KG)	D	D1	G	AXEL (MM)
TA04081	1	7,000	274	253	600	80
TA03946	2	10,000	353	326	870	90



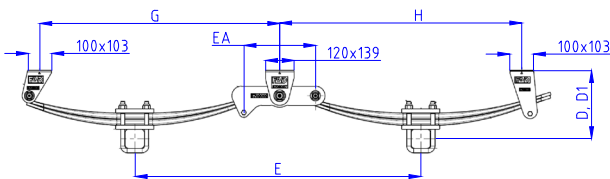
1 - 80mm Wide



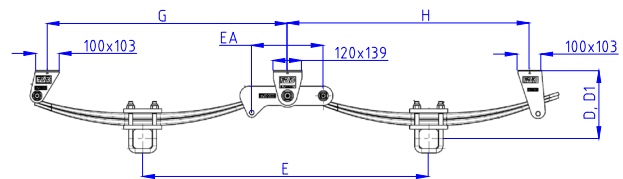
2 - 90mm Wide

TANDEM SPRING

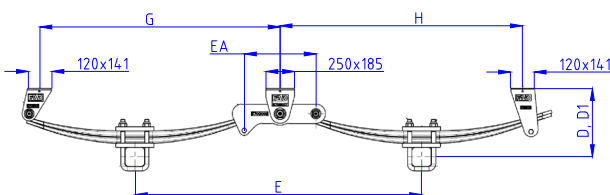
PART NUMBER	IMAGE	CAPACITY (KG)	E	D UNLOADED	D LOADED	G	H	AXEL	EA
TA04082	1	12,000	1,200	284	257	1,007	1,015	80	300
TA04083	2	16,000	1,350	289	253	1,077	1,085	90	460
TA04084	3	21,000	1,480	353	327	1,152	1,165	100	550
TA05739	4	20,000	1,525	397	350	1,277		100	489



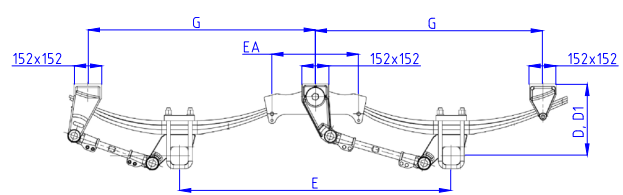
1 - 80mm Wide



2 - 90mm Wide



3 - 100mm Wide



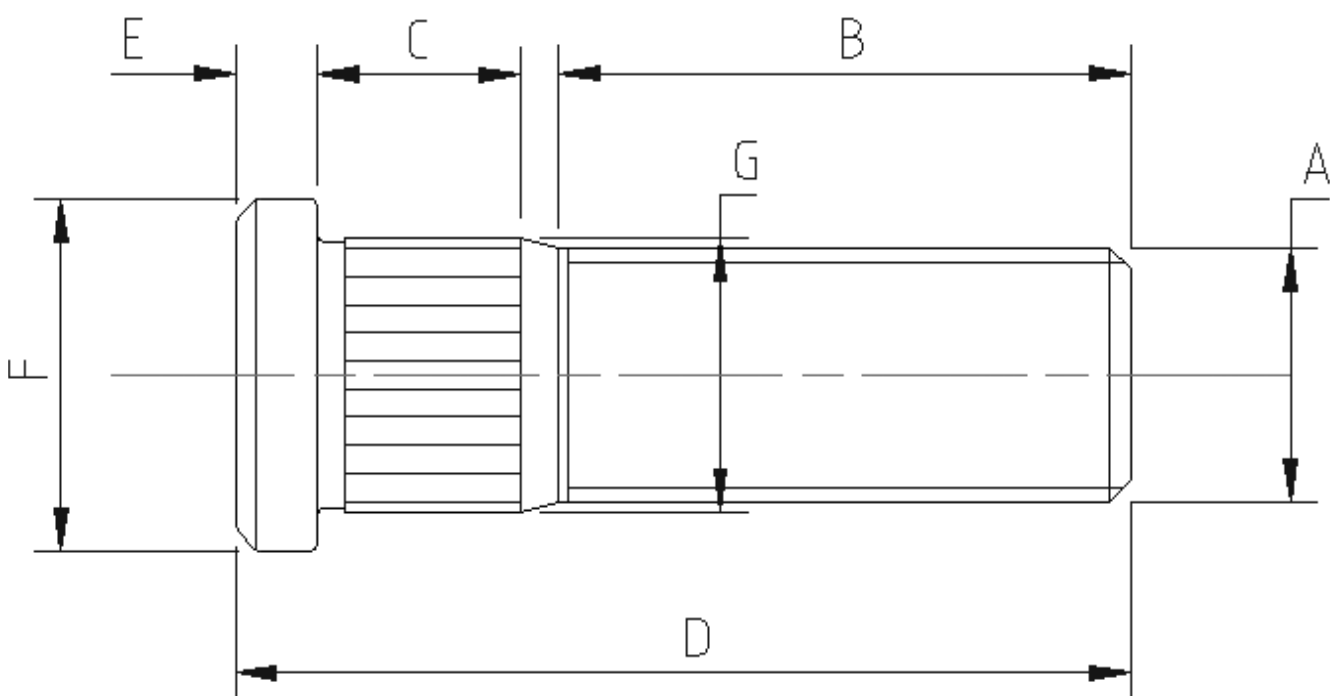
4 - 100mm Wide

METRIC

PART NUMBER	A THREAD	B THREAD LENGTH	C KNURL LENGTH	D TOTAL LENGTH	E HEAD THICKNESS	F HEAD Ø	G KNURL Ø
170.049.010	M10 x 1.5	16	3	23.5	3.5	17	10.7
920.001.888	M14 x 1.5	37	16	59	6	25.7	14
170.075.010	M16 x 1.5	33	9	50	5	22	17.4
170.056.010	M18 x 1.5	42	15	65	5.5	25	19.5
170.051.010	M20 x 1.5	47	16	73	6	27	21.6
170.052.010	M22 x 1.5	54	21	85	6	30	24.4

UNF

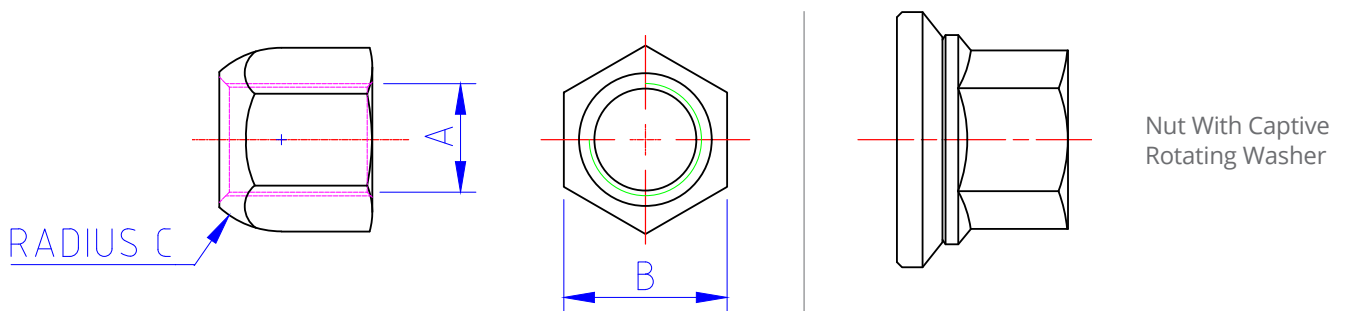
PART NUMBER	A THREAD	B THREAD LENGTH	C KNURL LENGTH	D TOTAL LENGTH	E HEAD THICKNESS	F HEAD Ø	G KNURL Ø
170.042.010 HT	7/16" UNF	25	12	43.5	4.5	19.25	14
170.053.010 FORD	1/2" UNF	33	12	50	4.5	19.25	14
170.043.010	9/16" UNF	32	10	51	6.5	22.2	18.4
170.015.010	5/8" UNF	39	12	59	6	25.4	18.1
170.024.010	5/8" UNF	48	12	66	6.5	25.4	18.1
170.037.010	3/4" UNF	45	16	77	6.5	32	20.8
170.014.010	7/8" UNF	43	24	78	8	32	23.6



WHEEL NUTS

METRIC

PART NUMBER	A THREAD	B WIDTH A/F	C CHAMFER
920.001.889	M14 x 1.5	18.8	R14 Spherical
170.076.010	M16 x 1.5	27	R14 Spherical
170.057.010	M18 x 1.5	33	R16 Spherical
170.071.010	M20 x 1.5	32	R18 Spherical
170.070.010	M22 x 1.5	32	R18 Spherical
170.072.010	M24 x 2.0	35	90° Tapered
170.048.010	M12 x 1.5		
170.154.010	M22 x 1.5	32.8	Captive Flat Washer
170.155.010	M24 x 2.0	33.5	Captive Flat Washer
170.166.010	M27 x 2.0	41	Captive Flat Washer



UNF

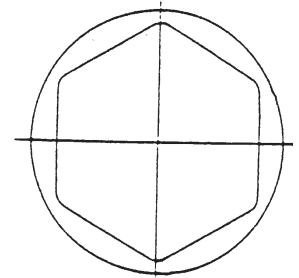
PART NUMBER	A THREAD	B WIDTH A/F	C CHAMFER
170.041.010	7/16" UNF	3/4"	60° Tapered
170.044.010	1/2" UNF	1 3/16"	60° Tapered
170.045.010	9/16" UNF	1 1/16"	90° Tapered
170.040.010	5/8" UNF	1 5/16"	90° Tapered
170.013.020	3/4" UNF	1 5/16"	90° Tapered
170.039.010	7/8" UNF	1 5/16"	90° Tapered



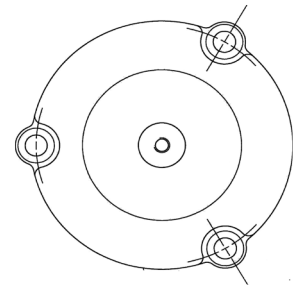
GREASE & DUST CAPS

TO FIT OTR AXLE & STUB AXLE

PART NUMBER	SERIES	A CAP SIZE
920.001.354	H20 & H25 (Holden)	1.78"
920.001.070	H30	2 1/16"
920.001.849	Non STD	2 1/4"
920.001.121	H40 & OLD H50	2 1/2"
033.711.050	H20 HD Series	
033.767.060	50H/HD50 (3 Screws)	
033.261.050	60H (3 Screws)	
033.131.040	75H (3 Screws)	
033.260.050	80.8 (3 Screws)	
033.175.070	90H/92H (3 Screws)	
033.259.050	100H (4 Screws)	
033.438.060	110H (6 Screws)	
033.258.050	150H (6 Screws)	
920.001.775	SH100 (6 Screws) Pressed Metal	



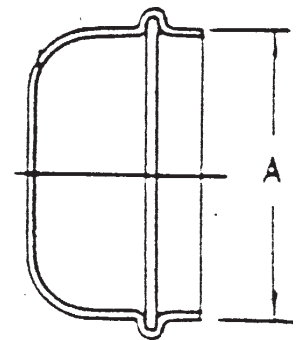
Cast Iron



Cast Iron

METRIC SIZES TO SUIT FAD HUBS

PART NUMBER	A CAP SIZE (MM)
920.001.839	62
FSPDC 62	62
FSPDC 80	80
FSPDC 85	85
FSPDC 90	90
FSPDC 100	100
FSPDC 110	110
FSPDC 120	120



Pressed Steel Type



FAD WHEEL STUDS & NUTS

METRIC STUD

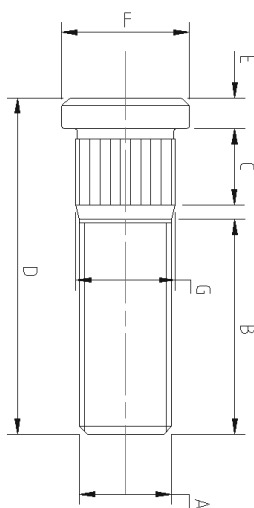
PART NUMBER	A THREAD	B THREAD LENGTH	C KNURL LENGTH	D TOTAL LENGTH	E HEAD THICKNESS	F HEAD Ø	G KNURL Ø
FSP43	M16 x 1.5	33	8	50	5	22	17.3
FSP44	M18 x 1.5	35	11	55	6	24	19.6
FSP44L	M18 x 1.5	45	12	65	6	24	19.6
FSP45	M20 x 1.5	48	12	68	6	25	21.6
FSP46	M22 x 1.5	47	14	71	6	27	24.3
FSP46L	M22 x 1.5	59	14	96	6	30	24.4

METRIC NUT

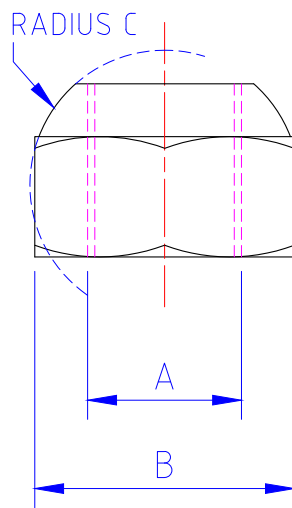
PART NUMBER	A THREAD	B WIDTH A/F	C CHAMFER
FSP33	M16 x 1.5	27	R14 Spherical
FSP34	M18 x 1.5	24	R16 Spherical
FSP35*	M20 x 1.5	27	
FSP36*	M22 x 1.5	30	

SPHERICAL WASHER

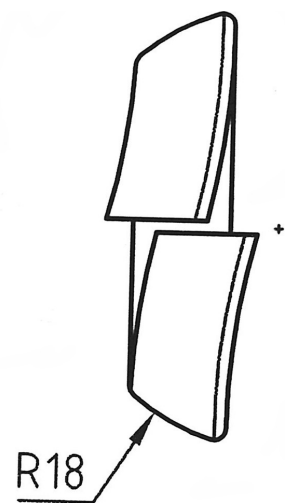
PART NUMBER	DESCRIPTION
FSP54	Suits 20mm Stud
FSP55	Suits 22mm Stud



Stud



Nut *Supplied With Washers



Spherical Washer

DOUBLE SIDED HUB ASSEMBLIES

DS 08 DOUBLE SIDED

CAST HUB

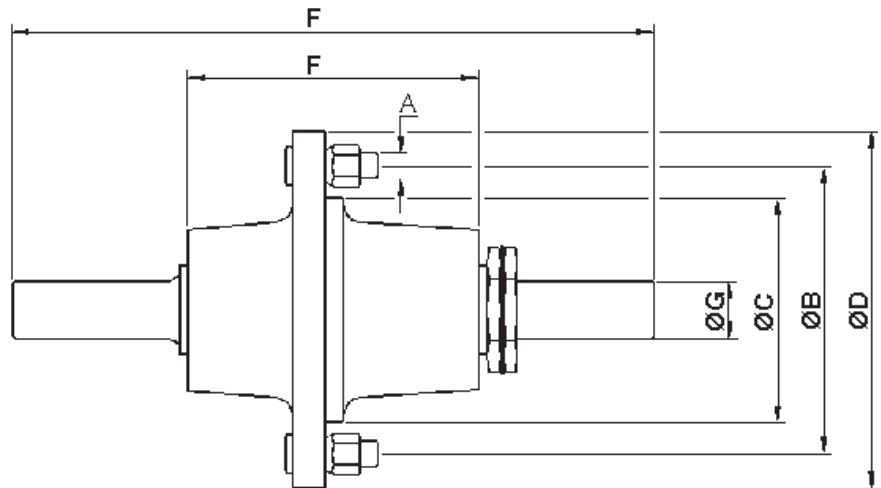
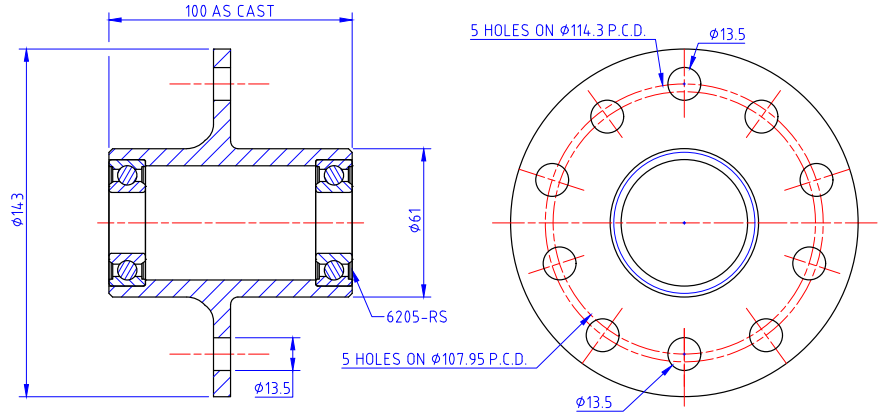
PART NUMBER 033.737.010

Lightweight hub suitable for turf and garden care machinery such as mowers, trolleys, trailing wheels etc.

Stud patterns available include Ford and HT Holden. Hubs are designed to fit a 25mm axle that protrudes and can be supported on both sides of the hub. 2 Deep Groove ball bearings (6205-2RS) are used in the design.

Axles, studs and nuts are supplied as an option. The DS08 series is an economical alternative to other axle designs and is versatile in terms of application.

Note: A similar hub design (LCO Series) is also available in steel (weldable) versions. These are suitable for applications where hubs are mounted by welding directly to shafts etc. No bearings are supplied.



DS SERIES AXLE ASSEMBLIES

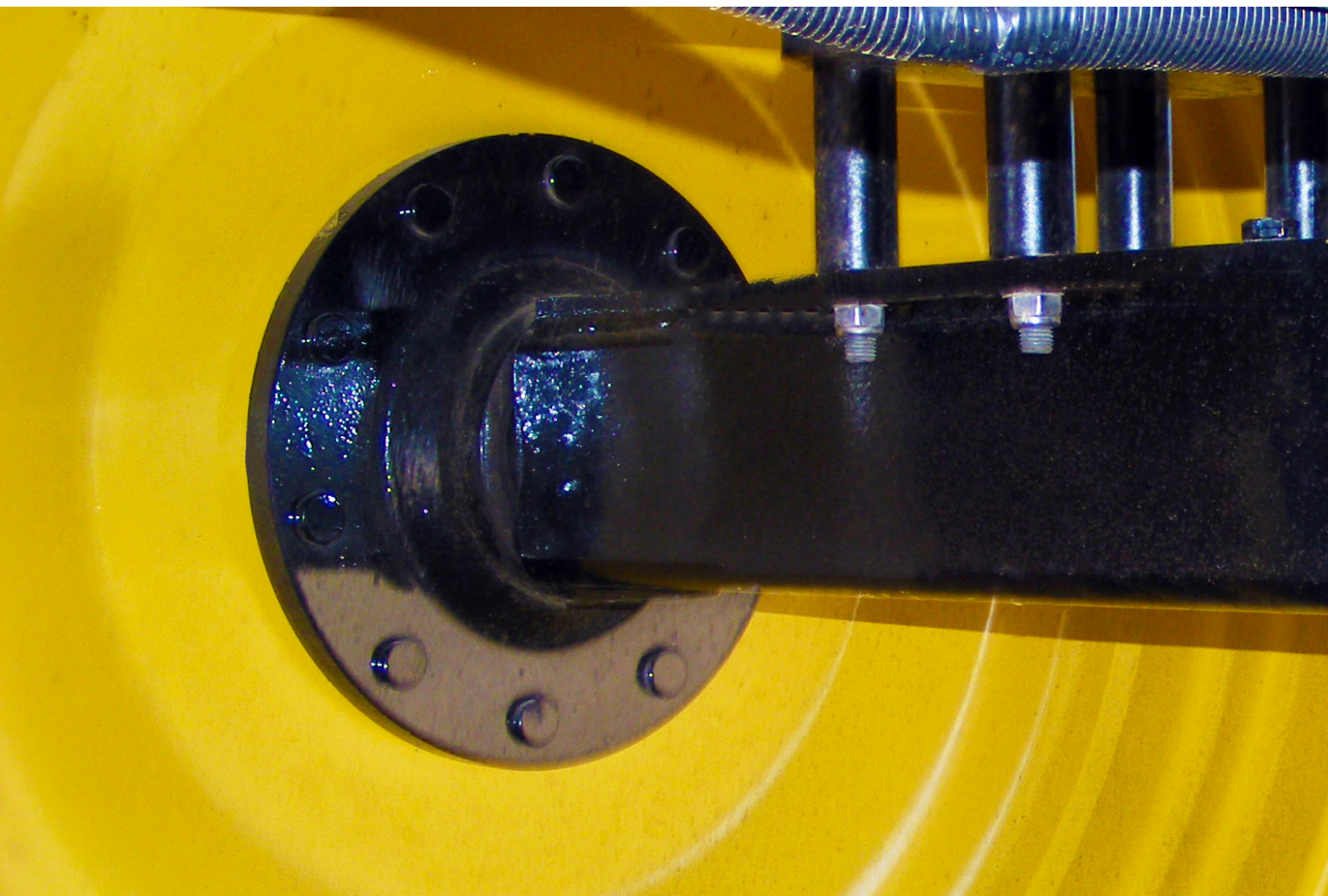
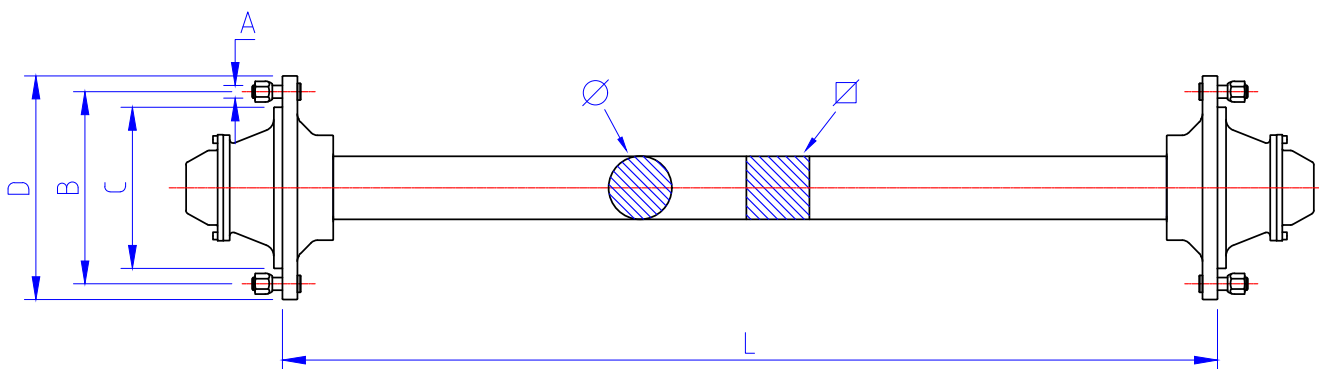
PART NUMBER	MODEL	CAPACITY (KG)	NUMBER OF STUDS	A STUD SIZE	B PCD	C SPIGOT Ø	D FLANGE Ø	E SPIGOT	F AXLE	G AXLE Ø
033.251.010	DS20	500	4	7/16" UNF	120.65	87.3	177.80	146	227	28.575
033.348.010	DS20	500	6	1/2" UNF	139.7	87.3	177.80	146	406.4	28.575
034.224.010	DS25	500	5	1/2" UNF	4 1/4"	107.95	150	82	113	18
033.289.010	DS40	1,000	5	M16 x 1.5	140	93	187.50	190.5	446	34.925
033.437.010	DS40	1,000	6	1/2" UNF	139.7	93	187.50	190.5	446	34.925
033.011.010	DS80	2,000	6	M18 x 1.5	205	160	254	207.3	457.2	41.28
033.408.010	DS80	2,000	6	M18 x 1.5	205	160	254	207.3	457.2	41.28
034.196.010	DS75	2,000	6	M18 x 1.5	205	160	254		476	50
034.170.010	DS90	4,000	8	M20 x 1.5	275	221	250	149	476	50
034.124.010	DS110	7,000	10	M22 x 1.5	335	280	387	208	660	70

OFF ROAD ONLY FULL LENGTH AXLES

MADE TO ORDER - FOR AGRICULTURAL & INDUSTRIAL TRAILER APPLICATIONS

Choose from any of the stub axle sizes specified on page 66 of this catalogue to suit your full-length axle. Axles can be made from round or square material as required. **Note:** When choosing full-length axles for tandem/multi-axle applications, allow for a 20% decrease in load carrying capability. This allows for the increased loads caused by uneven terrain and turning.

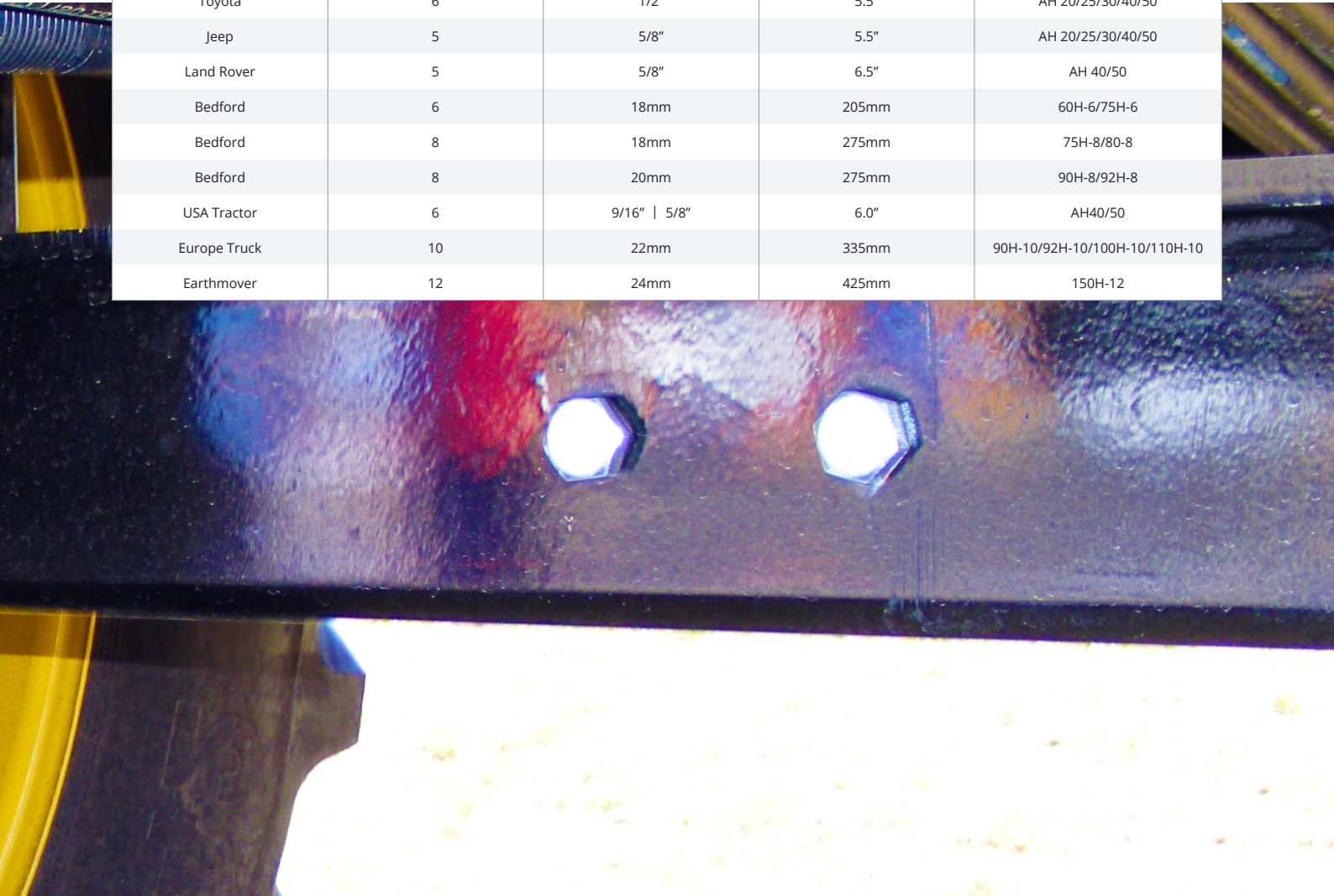
This is a guide only. Consult your designing engineer for more detailed loadings.



WHEEL & AXLE FITMENT GUIDE

Manufacturers and distributors of Wheels & Rims for agricultural, industrial & mining machinery Axles, Stub Axles, Trailer components for on-road & off-road applications OTR has a large range of off-the-shelf wheels in-stock, suitable for our axles. However, special jobs require special wheels. OTR will design and build customised wheels for your requirements. Our huge range of rims and centre discs can be coupled together to suit your special application. Our facilities include CAD-CAM design stations. Over 30,000 rims in stock. Up to 3,000 tonne presses to form heavy duty centre discs. Large CNC machining and drilling machines ensure absolute accuracy. Robotic welding provides the ideal connection of centre disc to the rim. Crack testing and run out testing guarantee the quality and integrity of your wheels. OTR produce customised wheels for bus, truck, tractor, earthmoving and mining equipment, trailers, semi-trailers and agricultural implements. The above are standard sizes. There are many other sizes and fitments available. Please contact our technical department for more information on 1300 CALL OTR.

WHEEL FITMENT	NUMBER OF STUDS	STUD DIAMETER	PCD	SUITABLE
Mini	4	1/2"	4.0"	AH 20
Holden HT	5	7/16"	4.25"	AH 20/25/30
Ford	5	1/2"	4.5"	AH 20/25/30
Holden HQ	5	1/2"	4.75"	AH 20/25/30
Commodore	5	1/2"	120mm	AH 20/25/30
Ford F100	5	5/8"	5.5"	AH 20/25/30/40/50
Suzuki	5	5/8"	5.5"	AH 20/25/30/40/50
Europe Agriculture	5	16mm	140mm	AH 20/25/30/40/50
Toyota	6	1/2"	5.5"	AH 20/25/30/40/50
Jeep	5	5/8"	5.5"	AH 20/25/30/40/50
Land Rover	5	5/8"	6.5"	AH 40/50
Bedford	6	18mm	205mm	60H-6/75H-6
Bedford	8	18mm	275mm	75H-8/80-8
Bedford	8	20mm	275mm	90H-8/92H-8
USA Tractor	6	9/16" 5/8"	6.0"	AH40/50
Europe Truck	10	22mm	335mm	90H-10/92H-10/100H-10/110H-10
Earthmover	12	24mm	425mm	150H-12



AXLE ENQUIRIES & ORDER FORM

ENQUIRY/ORDER DETAILS

Company		Contact	Email
Phone		Fax	Order Number
Postal Address		Delivery Address	

Freight OTR Yours (If yours, nominate which company you would like to use _____)

AXLE DETAILS

Part Number	Required Carry Capacity	Maximum Speed
-------------	-------------------------	---------------

AXLE SPECIFICATIONS

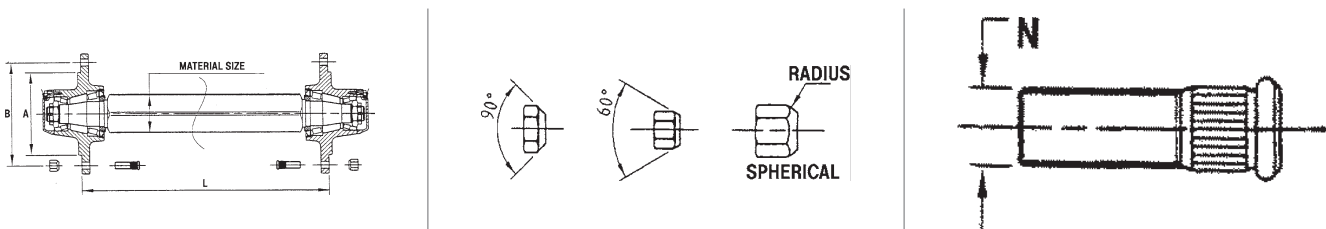
Material Round Bar Size _____ Square Bar Size _____

Distance Between Outside Face of Hub Flanges (Dimension L)	Pitch Circle Diameter (Stud Pattern) (Dimension B)
--	--

Spigot Diameter (Dimension A)	Number of Studs (Bolts)	Stud Diameter (Thread) (Dimension N)
-------------------------------	-------------------------	--------------------------------------

Wheel Nut Taper 60° 90° Spherical Other

Additional Requirements & Comments



NOTE: OTR is committed to delivering high quality products. The correct completion of this sheet, and the accuracy of your measurements will ensure that the product we produce will suit your requirements. If you have further enquiries, please contact Customer Service **1300 CALL OTR**. The manufacture of any products is subject to availability of components and technical considerations. Completion of this form does not commit you to buy. It simply assists us to prepare our quotation. This guide is only as good as the information you supply. When in doubt call OTR.

STUB AXLE ENQUIRIES & ORDER FORM

ENQUIRY/ORDER DETAILS

Company		Contact	Email
<input type="text"/>		<input type="text"/>	<input type="text"/>
Phone	Fax	Order Number	Date
<input type="text"/>	<input type="text"/>	<input type="text"/>	<input type="text"/>
Postal Address		Delivery Address	
<input type="text"/>		<input type="text"/>	

Freight OTR Yours (If yours, nominate which company you would like to use _____)

AXLE DETAILS

Part Number	Required Carry Capacity	Maximum Speed
<input type="text"/>	<input type="text"/>	<input type="text"/>

AXLE SPECIFICATIONS

Material Round Bar Size _____ Square Bar Size _____

Distance Between Outside Face of Hub Flanges (Dimension L) Pitch Circle Diameter (Stud Pattern) (Dimension B)

<input type="text"/>	<input type="text"/>
----------------------	----------------------

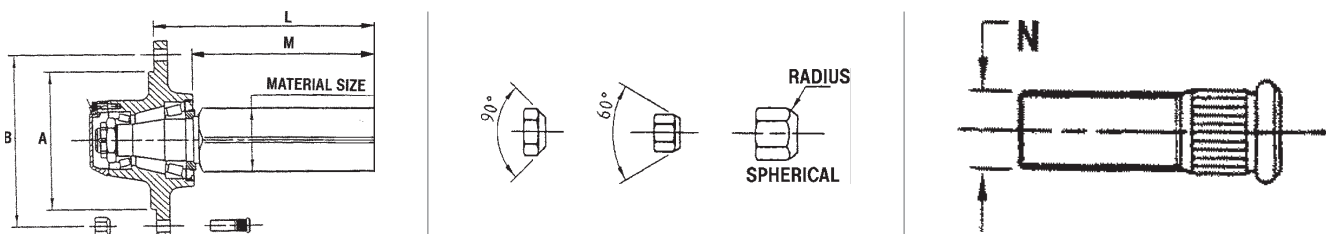
Spigot Diameter (Dimension A) Number of Studs (Bolts) Stud Diameter (Thread) (Dimension N)

<input type="text"/>	<input type="text"/>	<input type="text"/>
----------------------	----------------------	----------------------

Wheel Nut Taper 60° 90° Spherical Other

Additional Requirements & Comments

<input type="text"/>



NOTE: OTR is committed to delivering high quality products. The correct completion of this sheet, and the accuracy of your measurements will ensure that the product we produce will suit your requirements. If you have further enquiries, please contact Customer Service **1300 CALL OTR**. The manufacture of any products is subject to availability of components and technical considerations. Completion of this form does not commit you to buy. It simply assists us to prepare our quotation. This guide is only as good as the information you supply. When in doubt call OTR.



OTR

MADE IN AUSTRALIA

MINING & CONSTRUCTION

This catalogue is intended as a guide to cover the range of products supplied by OTR - Tyre Wheels Axles. Please contact our National Customer Service Centre 1300 CALL OTR for a current list price. All goods sold by OTR - Tyre Wheels Axles are covered by manufacturer's warranty.

Whilst all efforts have been made to publish this document with respect to accuracy supplied by manufacturers of products, OTR - Tyre Wheels Axles accepts no responsibility for claims resulting from information provided herein. All sales are covered by OTR - Tyre Wheels Axles Conditions of Sales and Credit Terms.

It is the responsibility of the purchaser to check all goods supplied by OTR - Tyre Wheels Axles at time of delivery. Errors in delivery must be reported to OTR - Tyre Wheels Axles Customer Service Department within 24 hours of receipt and any incorrect deliveries at the fault of OTR - Tyre Wheels Axles will be replaced by OTR - Tyre Wheels Axles without cost to the Dealer.

All goods returned outside these parameters shall be subject to a 10% surcharge and freight for returned goods shall be at the purchaser's cost. OTR - Tyre Wheels Axles return procedure must be followed otherwise goods will not be accepted.

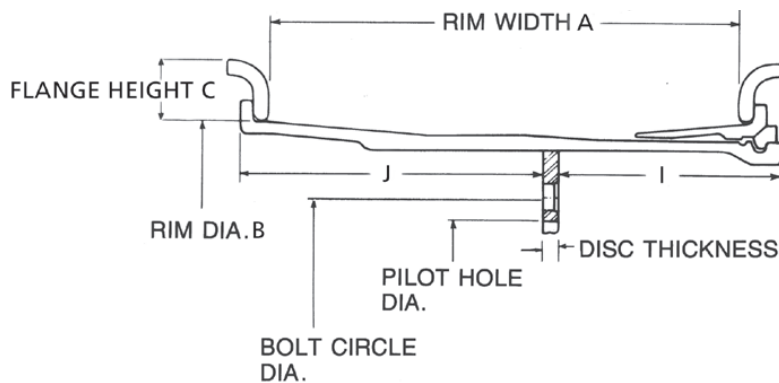


WHEEL INFORMATION

OTR ENGINEERED LARGE DIAMETER RIMS, WHEELS & COMPONENTS

- **Use of specifically designed high-strength low-alloy material in crucial components**
Ensures maximum fatigue life.
- **Shot-peened lock ring groove and other high stress areas**
Provides favorable residual compressive stress in critical areas for long life.
- **Machined lock ring grooves and mating component surfaces**
Assures even stress distribution for maximum fatigue life and safety.
- **Machined o-ring grooves**
Provides positive sealing and air retention.
- **Periodic inspection of circumferential weld joints by X-Ray or Ultrasound**
World class quality assurance of submerged arc welds eliminates potential weld problems.
- **Use of ring rolled forgings**
Ensures maximum fatigue life.

ALL RIM TYPES COVERED IN THIS CATALOGUE CAN BE MADE INTO WHEELS



Information Required:

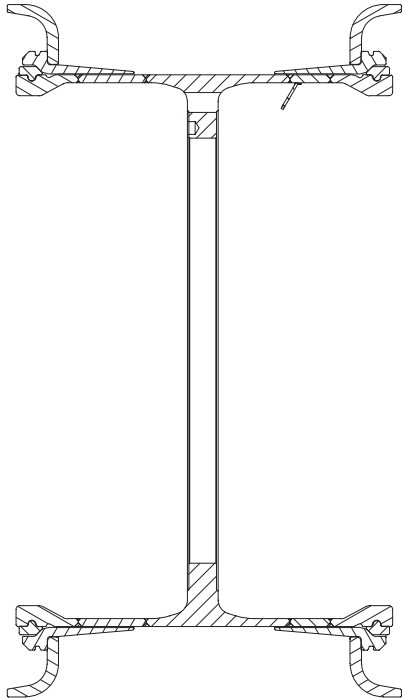
Operating Conditions

Maximum load, inflation pressure, speed, tyre size and ply rating.

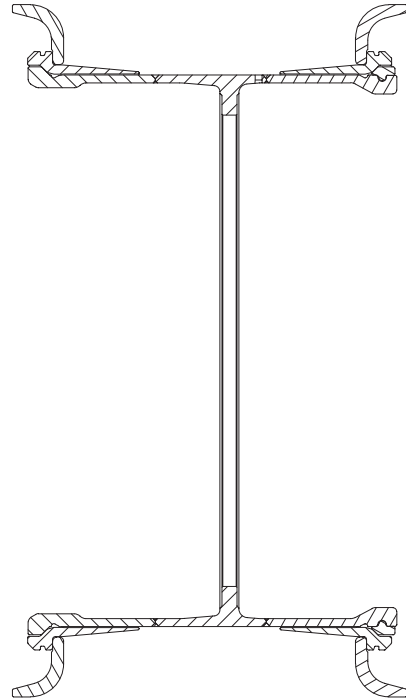
Design Details

Bolt circle diameter, number of holes, bolt hole configuration (straight or countersink), hole diameter, bore size, disc thickness, disc location (offset), hub drawing (when available).

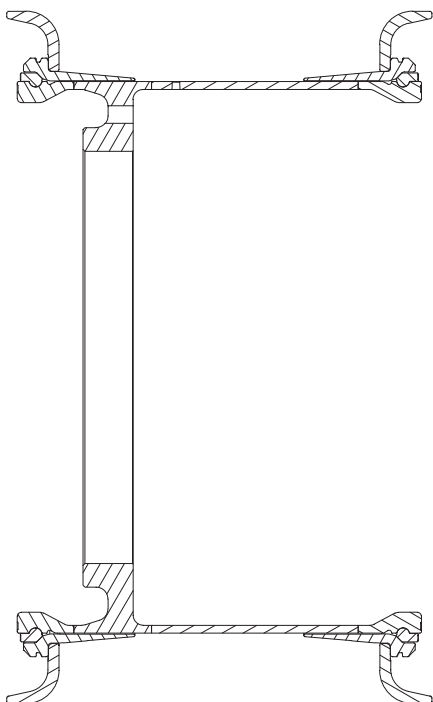
DLR WHEEL



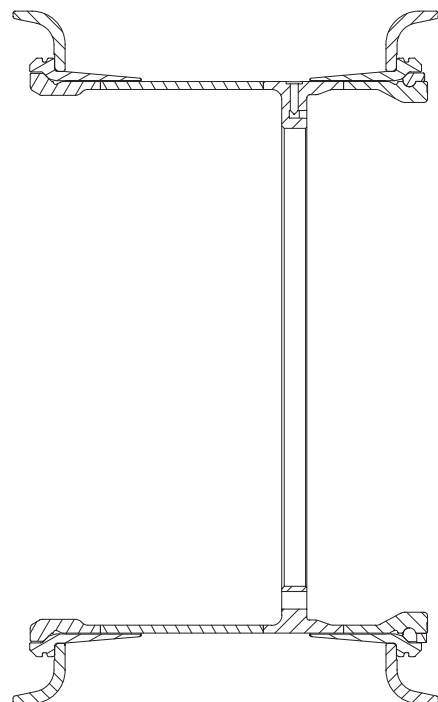
ILR WHEEL



DLR ULX WHEEL

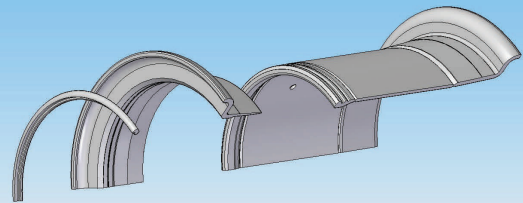


ILR ULX WHEEL

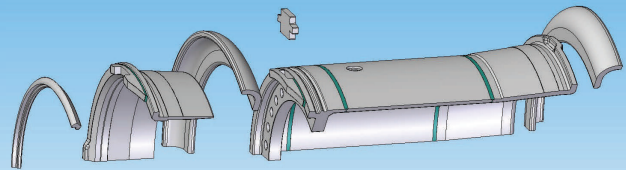


RIM & WHEEL COMPONENTS

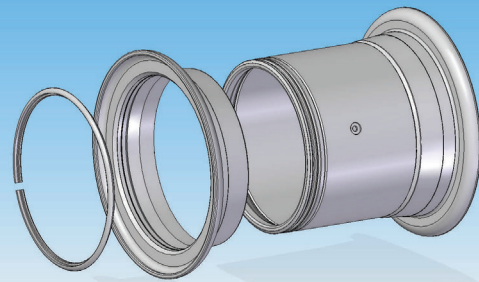
STANDARD SPECIFICATIONS



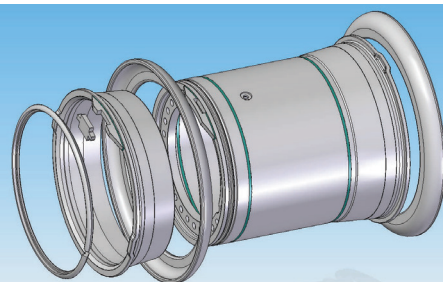
DRIVER POCKET SPECIFICATIONS



3 PIECE RIM STANDARD

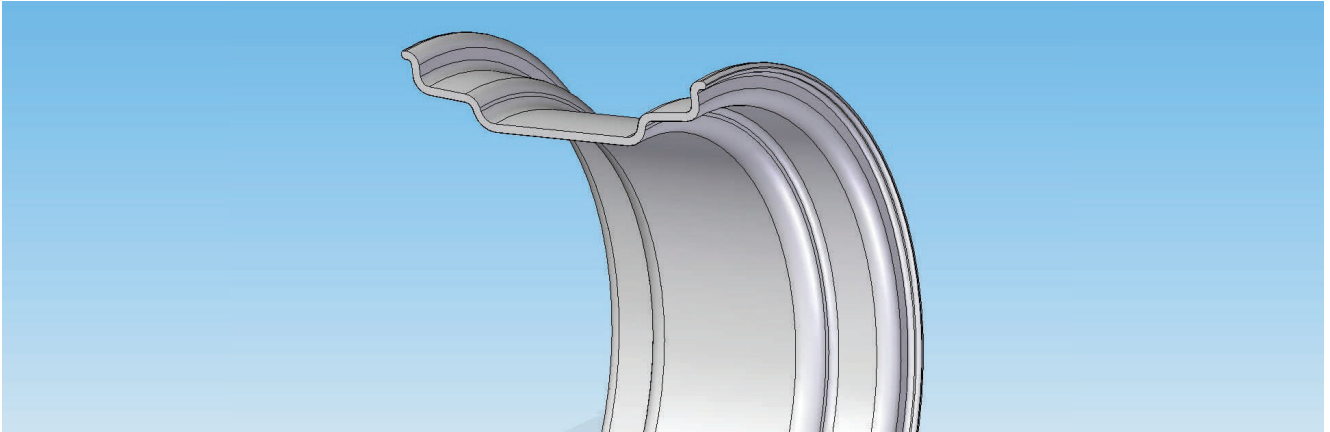


5 PIECE RIM WITH DRIVER

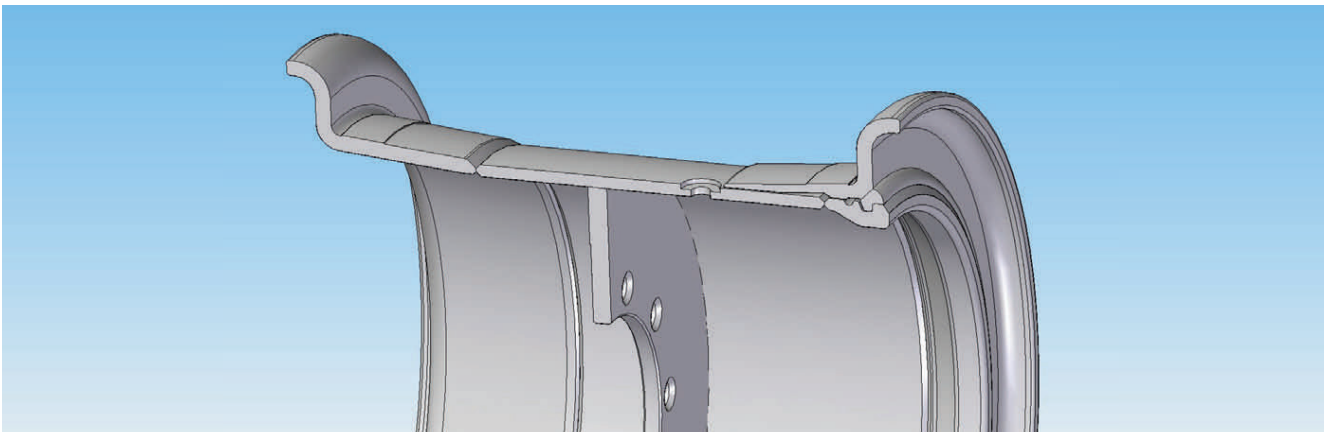


RIM & WHEEL PROFILES

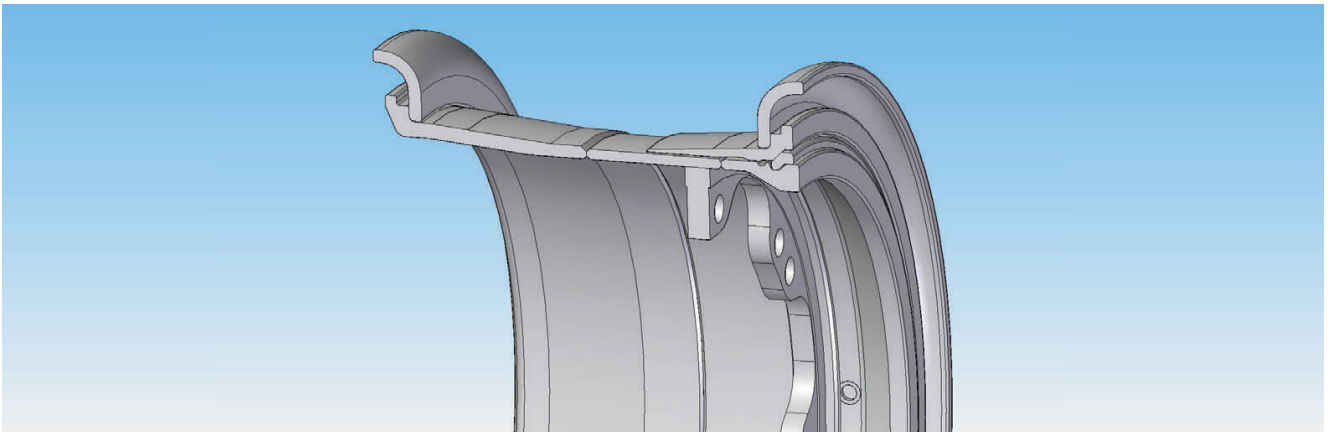
1 PIECE ASSEMBLY



3 PIECE ASSEMBLY



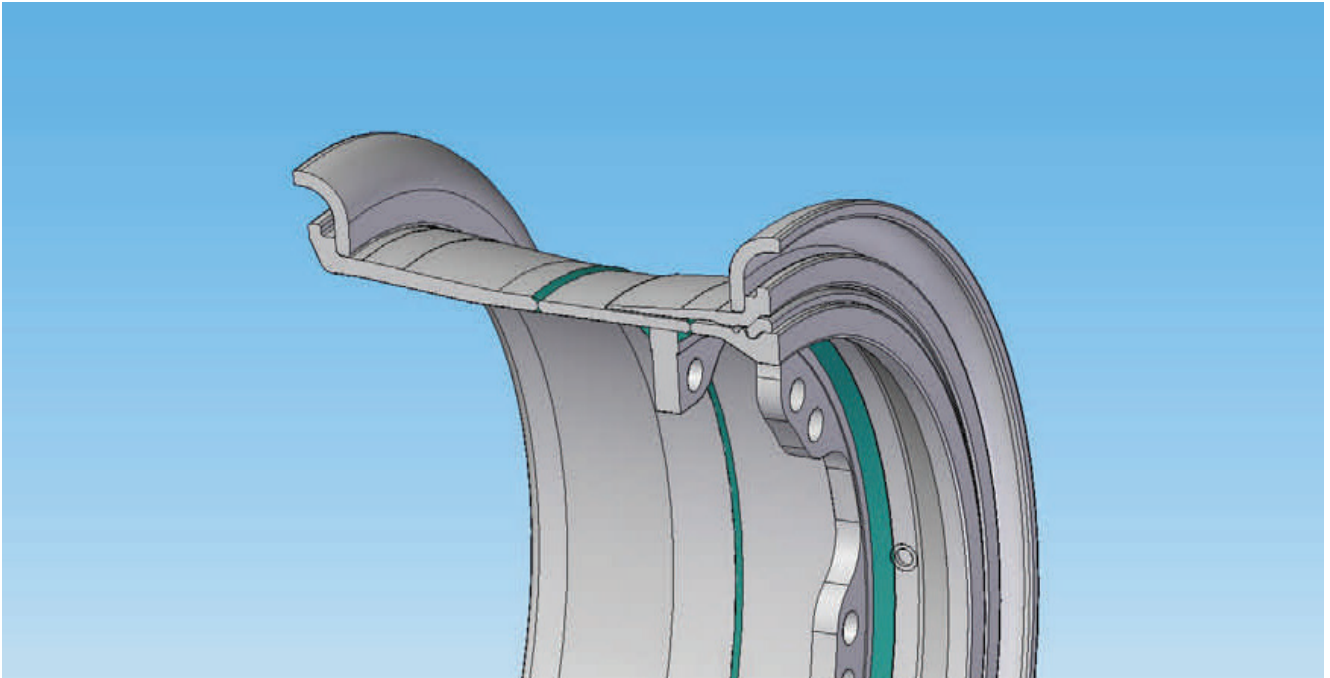
5 PIECE ASSEMBLY



RIM & WHEEL TYPES

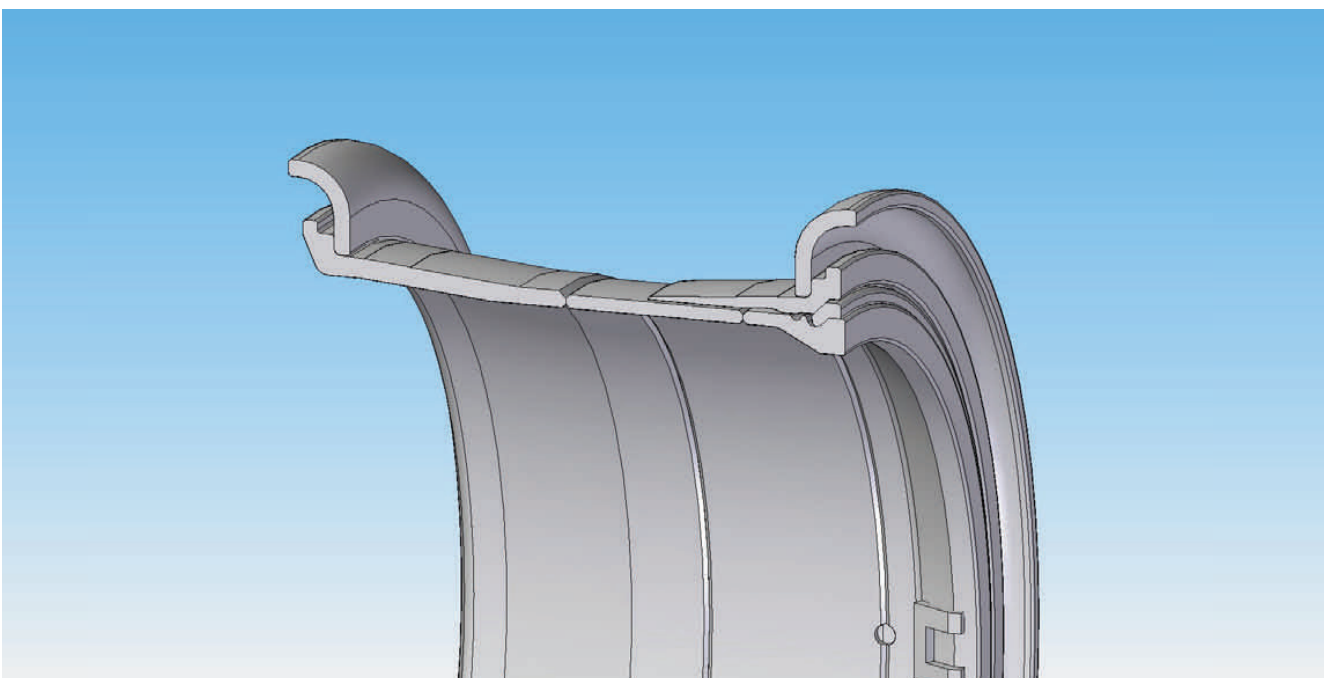
NON-DEMOUNTABLE WHEEL

Non-Demountable Wheel is when a rim is fitted with a mounting disc to suit a specific application.



DEMOUNTABLE RIM

Demountable Rim has no mounting disc fitted.



LIGHT VEHICLE WHEELS

Your first choice for quality steel wheels is OTR and Terra Wheels. With extra heavy duty specifications wheels rated up to 2100kg, round hole design for superior strength and high quality painted finishes in either black or white, these wheels are a premium made product. An added benefit to our range is that they are also safe to use with your original wheel nuts.

VEHICLES	SIZE	COLOUR	PART NUMBER	PCD	CENTRE BORE	OFFSET	LOAD RATING
Landcruiser	16x7	Black	WH1675150MSBL	5/150	113.0mm	0	2100kg
Landcruiser	16x7	White	WH1675150MSW	5/150	113.0mm	0	2100kg
Prado/Hilux	16x7	Black	WH16761397E25MSBL	6/139.7	110.5mm	25	2100kg
Prado/Hilux	16x7	White	WH16761397E25MSWH	6/139.7	110.5mm	25	2100kg
Landcruiser	17x8	Black	WH178150E0MSB	5/150	113.0mm	0	2000kg
Prado/Hilux	17x8	Black	WH17861397MSBL	6/139.7	106.0mm	25	1800kg

TERRA WHEEL





CUSTOM MANUFACTURING

OTR manufactures wheels and axles to meet clients specifications, be it for a tractor, a harvester, a dump truck or any other machinery that is used in Mining, Construction, Industrial, Agriculture and Earthmoving. When OTR sell the product, the relationship does not end there. On-site support is as important to us as it is to the customer. With tyres to suit the application and backed by an experienced sales & support team, OTR is there to keep you on the move.

OTR is the market leader in the design, development and manufacture of wheels to the 'off-highway' industry. Supplying the world's most respected original equipment manufacturers like Caterpillar, Volvo, Komatsu and Hitachi & Liebherr means that our product, service and delivery must consistently meet the high standards set by these companies.

In addition, OTR designs, develops and manufactures wheels for the agricultural, construction and mining industries. From earthmoving equipment, trucks and tractors to forklift and industrial vehicles, no mobile tyre problem is too big or too challenging. We will get your vehicles on the move again fast, minimizing downtime and maximizing the return on your tyre investments. OTR offers a complete range of wheels, from 6" through to 63" in diameter, including fixed welded wheels, adjustable bolted tractor wheels, demountable (spider mount) rim options and clipon dual applications.

Manufacturing capabilities are backed by the best wheel engineers, Customer Service Department and dedicated sales team all ensuring that components are manufactured to the highest standards and delivered on time. As a customer-focused and process-oriented company, no other wheel manufacturer can match our experience, capability, quality and design. Environmental accreditation along with attention to waste control is a reflection of our company values.

The wheel is the most integral part of a ground vehicle. Every aspect of design and development is unique for each application. By working with our customers we continually improve current designs and research technology to develop more effective products. Our in-house wheel and rim inspection, repair and certification services are performed by our fully qualified staff in accordance with AS:4457.1: 2007 and related standards in Western Australia (WA), Queensland (QLD), New South Wales (NSW) and Victoria (VIC).

**CUSTOM MANUFACTURING
MADE IN AUSTRALIA FOR
AUSTRALIAN CONDITIONS**

TESTING & REPAIRS

All wheel and rim inspections, repairs, modifications and manufacturing are in accordance with AS 4457.1-2007 and all other referenced documents. OTR can supply a full service from simple repairs, through to supplying new wheels and components.



1. Wear assessment (NDT Inspection)



2. Back Grinding (Section Replacement)



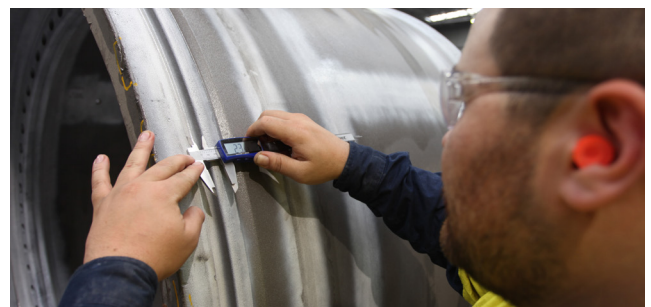
3. Welding (Section Replacement)



4. Welding (Section Replacement)



5. Machining (Repair Preparation)



6. Wear assessment (NDT Inspection)



7. Workshop



8. Finished product.

ILR & DLR WHEELS & RIMS

THE QUICK CHANGE OPTIONS

OTR'S HEAVY DUTY QUICK CHANGE RIM SYSTEM FOR LARGE MINING TRUCKS

Compared to the standard fitment five-piece wheels and the Double Gutter seven-piece wheels currently offered, the OTR QCR System provides an increase Non-Destructive test interval periods, longer wheel life, improved safety through fewer wheel & component removal/install, resulting in faster tyre change outs and increased up time.

OTR offers the QCR System fitted to all six-wheel positions and is available for most makes and models of large mining trucks.

Traditionally, the only way to change the inside dual tyre on the rear axle of a large mining truck was to remove the outside wheel and tyre assembly. This process is time-consuming and downtime results in a loss of production. To overcome this, the DLR (Double Lock Ring) has the same diameter as inner rear dual wheel/rim. This allows the inner and outer tyres to be removed and replaced without the need for any of the rear wheel/rim bases to be removed, improving safety for tyre servicemen and reduced machine downtime which leads to increase productivity.

The DLR fitted to positions 3 & 6 consists of the wheel/rim base, two-bead seat bands, two-side flanges and two-lock rings, one of which is a 2pc design, whilst ILR (Integrated Lock Ring) used on positions 1,2 4 & 5 consists of the wheel/rim base, two-bead seat bands, two-side flanges and one-lock ring. The back section of the ILR wheel base has been modified to include an integrated lock ring and O-ring groove, this accommodates the addition of a second bead seat band which allows a tyre to be removed without the need for a hydraulic bead breaker tool to separate the inner tyre bead from the wheel base. As a safety feature, both the ILR and DLR wheels/rims have Sur-locs fitted to each of the Bead Seat Bands.

Additionally, the Mega Bore tyre

inflation system can be incorporated to allow even further reduction in tyre change time by reducing both the deflation and inflation periods. "The Mega Bore system increases the flow area by 2.46 times the current system" said Travis Parsons, General Manager - Sales.

The advantage of using an ILR wheel on positions 1,2,4 & 5 against standard five piece wheel is to allow all tyres positions to be easily rotated to other positions without having to remove or fit components, making tyre rotations faster and easier. When you combine the ILR and DLR across the machine the benefit of this combination saves time, increasing productivity and improves tyre servicemen safety with the reduction in repetitive tasks such as use of impact guns.

Savings can also be calculated by the simple fact that the wheels have not been removed from the truck, so re-torques are not required, increasing truck availability.

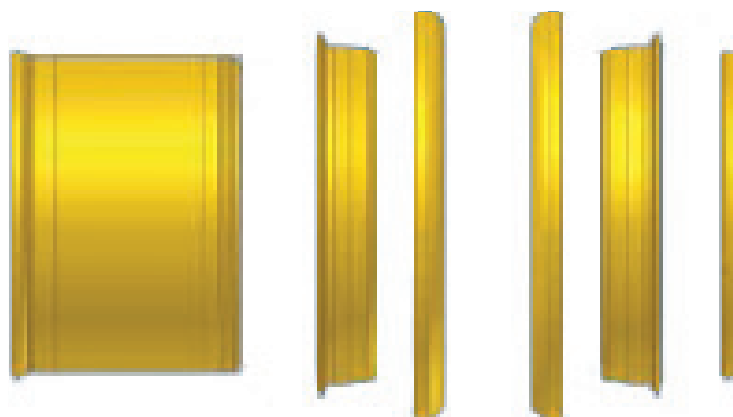
Field reports show a positive reaction by customers using the OTR QCR System on off-highway trucks. Customers using the OTR QCR System have reported significant

improvements in productivity by decreasing haul truck downtime for tyre servicing, while improving safety for the tyre service personnel. The difference between the standard rims and the OTR QCR System is significant on a mine site operation. In as little as 12 months, a customer can measure improvements in uptime of the haul truck fleet.

Customer tests indicate that by using the OTR QCR System, tyre servicing times can improve by greater than 50 percent, combined with improved service personnel safety standards and reduced occurrence of fatigue and injuries associated with tyre service job functions.

The increased productivity that comes from the OTR QCR System in both man power and moving dirt will comfortably increase profit within the first twelve months and then contribute to additional revenue for the remainder of their service life. OTR wheels & rims also have greater wheel life, lower maintenance costs and improve safety. The long term benefits to your profit speak for themselves.

SIX PIECE DESIGN OF AN OVM/SVM





"I have a penchant for quality and reliability, OTR provide me both and as such, I have developed a close working relationship with the guys at OTR - Tyres Wheels Axles."

**BRENTON LAWLESS
WUNGHNU,
VICTORIA**

"I was lucky enough to speak with the team at OTR - Tyres Wheels Axles. They were very helpful and assisted me greatly with the loading of the piece. I traveled home safely and very happy with what was held for me. I just wanted to say a big thank you."

**PAUL JOHNSON
MUSWELLBROOK,
NEW SOUTH WALES**

"The performance was as I expected of the tyre and more. The next FWD tractor I buy will defiantly be outfitted by OTR - Tyres Wheels Axles tyres."

**DARREN KEEFFE
MOORA,
WESTERN AUSTRALIA**

"Brenton went above and beyond to help us out. Without his help and service, we would have lost a day or 2 in the field, costing us precious time and more importantly money."

**HARRY JACKMANN
LOXTON,
SOUTH AUSTRALIA**



MADE IN AUSTRALIA

INDUSTRIAL COMPONENTS

This catalogue is intended as a guide to cover the range of products supplied by OTR - Tyre Wheels Axles. Please contact our National Customer Service Centre 1300 CALL OTR for a current list price. All goods sold by OTR - Tyre Wheels Axles are covered by manufacturer's warranty.

Whilst all efforts have been made to publish this document with respect to accuracy supplied by manufacturers of products, OTR - Tyre Wheels Axles accepts no responsibility for claims resulting from information provided herein. All sales are covered by OTR - Tyre Wheels Axles Conditions of Sales and Credit Terms.

It is the responsibility of the purchaser to check all goods supplied by OTR - Tyre Wheels Axles at time of delivery. Errors in delivery must be reported to OTR - Tyre Wheels Axles Customer Service Department within 24 hours of receipt and any incorrect deliveries at the fault of OTR - Tyre Wheels Axles will be replaced by OTR - Tyre Wheels Axles without cost to the Dealer.

All goods returned outside these parameters shall be subject to a 10% surcharge and freight for returned goods shall be at the purchaser's cost. OTR - Tyre Wheels Axles return procedure must be followed otherwise goods will not be accepted.



BEAD SEAT BANDS, LOCK RING & SIDE RINGS

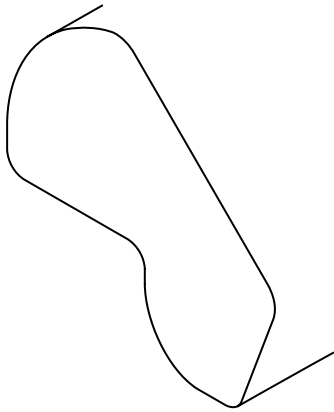
BEAD SEAT BANDS			
8"	33" x 5.5 EV / W	35" x 5.5 EM	51" x 7.5 OVM BSB
9"	33" x 5.5 EM / STG	35" x 5.5 EV / W	57" x 7.5 OVM BSB
12"	35" x 5.5 EM	39" x 5.5 EM	57" x 7.5 SVM / XT BSB
15"	35" x 5.5 EV / W	39" x 5.5 EV / W	57" x 10" XT BSB (65/65 x 57 Tyre)
20" x 10 4 Piece SW	39" x 5.5 EM	45" x 5.5 EM	63" OVM BSB & 63" SVM BSB
24" x 10 4 Piece SW	39" x 5.5 EV / W	49" x 5.5 EV / W	63" x 7.5 DLR
25" x 4 HTN/STG No Notch	45" x 5.5 EM	51" x 7.5 EHD	63" x 7.5 ILR
25" x 4 STN With Notch	49" x 5.5 EV / W	51" x 7.5 EHDM (Advance)	
25" x 4 HSLA	29" x 5.5 HTN No Notch	57" x 7.5 EHDM (Advance)	
25" x 5.5 HTN No Notch	33" x 4.0 EM / STG	57" x 7.5 DLR	
29" x 5.5 HTN No Notch	33" x 5.5 EV / W	57" x 7.5 ILR	
33" x 4.0 EM / STG	33" x 5.5 EM / STG	51" x 7.5 XT BSB	

LOCK RINGS			
LR 8"	LR 25T	LR 29" (EM)	LR 57" PHASE 2
LR 9"	LR 25" (STN)	LR 33" (EV / W / EM)	LR 57" 2 Piece with Keeper Plate
LR 10"	LR 29" (EM)	LR 35" (EV / W)	57" ULX
LR 12"	LR 33" (EV / W / EM)	LR 35" (EM)	LR 57" OVM
Spring Flange 15"	LR 35" (EV / W)	LR 39" (EM)	LR 63" SVM & LR 63" OVM
LR 15"	LR 35" (EM)	LR 45" (EM)	63" HD (EU) Hinged
Spring Flange 16"	LR 39" (EM)	LR 49" (W / EV)	63" ULX
Spring Flange 20"	LR 45" (EM)	LR 51" HD	
LR 24"	Spring Flange 24"	LR 51" 2 Piece with Keeper Plate	
LR24" SW	LR 25" (HTN)	LR 51" OVM	
Spring Flange 24"	LR 25T	LR 57" HD	
LR 25" (HTN)	LR 25" (STN)	57" HD (EU) Hinged	

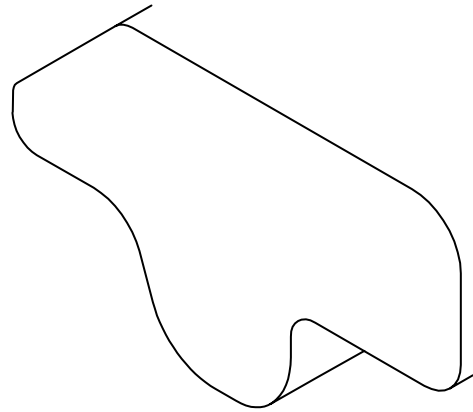
SIDE RINGS			
SR24/8 VA TGD	SR 25"/ 2.5	SR 35"/ 3.5	SR 57"/ 5.0
SR 24/10.00 VA TGD	SR 25"/ 3.0	SR 35"/ 4.0	SR 57"/ 6.0
SR 24/10.00 SW	SR 25"/ 3.5	SR 39"/ 4.0	SR 57"/ 6.0 HDFM (Made by OTR)
SR 24"/ 2.0 WI	SR 29"/ 3.0	SR 45"/ 4.5	SR 63"/ 5.0
SR 25"/ 1.3 3 Piece	SR 29"/ 3.5	SR 49"/ 3.5	
SR 25"/ 1.5 3 Piece	SR 33"/ 2.5	SR 49"/ 4.0	
SR25"/ 1.5 5 Piece (HSLA)	SR 33"/ 3.5	SR 51"/ 4.5	
SR 25"/ 1.7 CR 3 Piece	SR 33"/ 4.0	SR 51"/ 4.5 (Manufactured by OTRA)	
SR 25"/ 1.7 3 Piece	SR 33"/ 4.5	SR 51"/ 5.0	
SR 25"/ 2.0	SR 35"/ 3.0	SR 51"/ 5.0 HDFM (Made by OTR)	

LOCK RING PROFILES

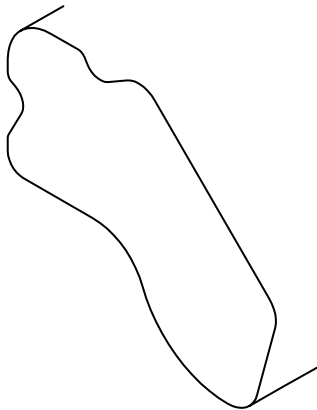
EM GS LOCK RING



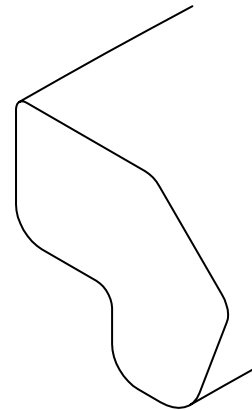
EU GS LOCK RING



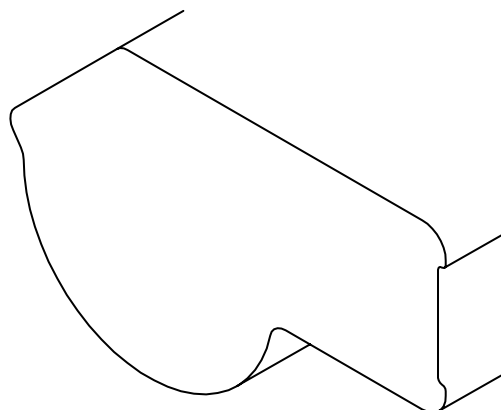
EV GS LOCK RING



GR GS LOCK RING

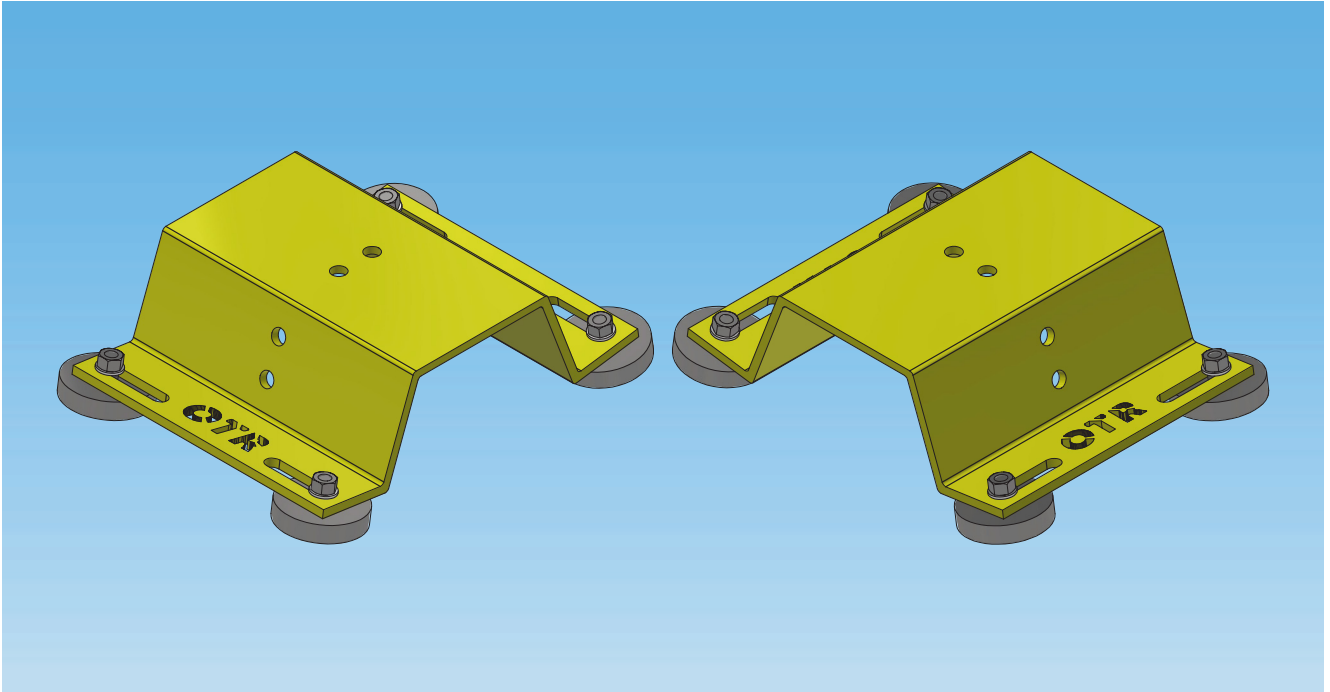


ULX GS LOCK RING

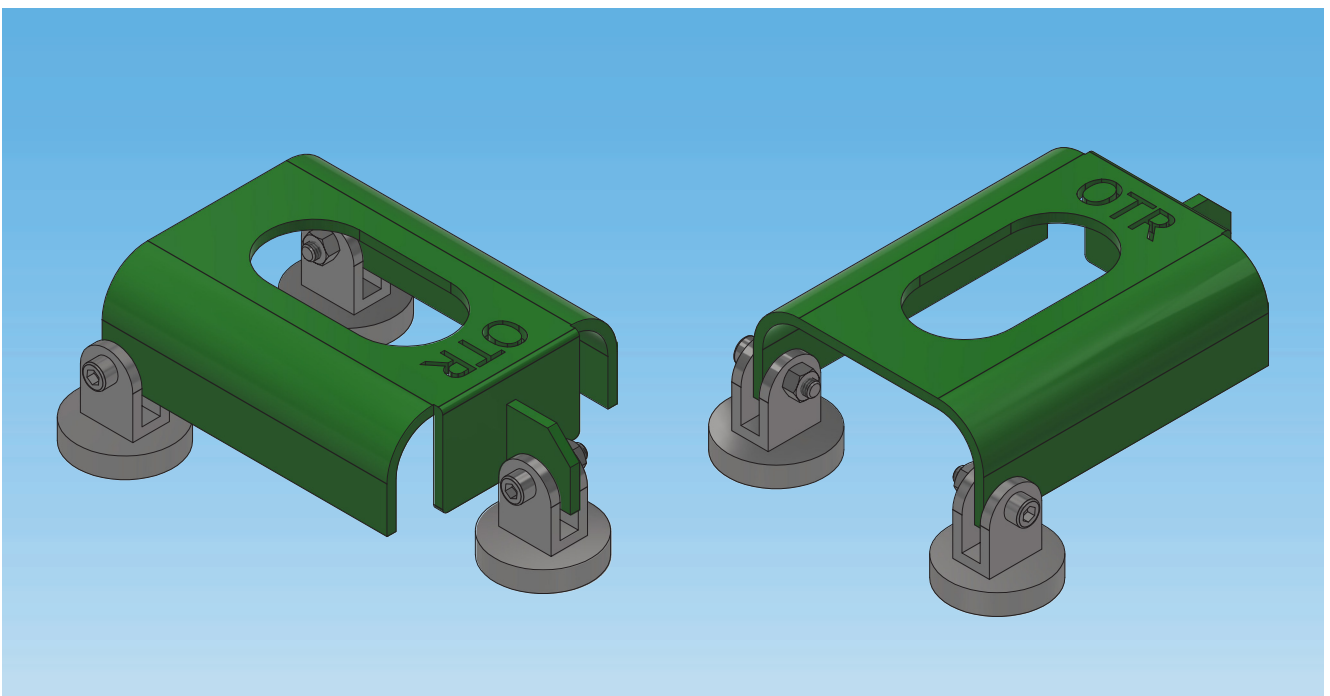


MAGNETIC VALVE GUARDS

MAGNETIC VALVE GUARD WITH OTR BRANDING - 900-090-002



MAGNETIC VALVE GUARD ASSEMBLY (AG) WITH OTR BRANDING - 900-090-006

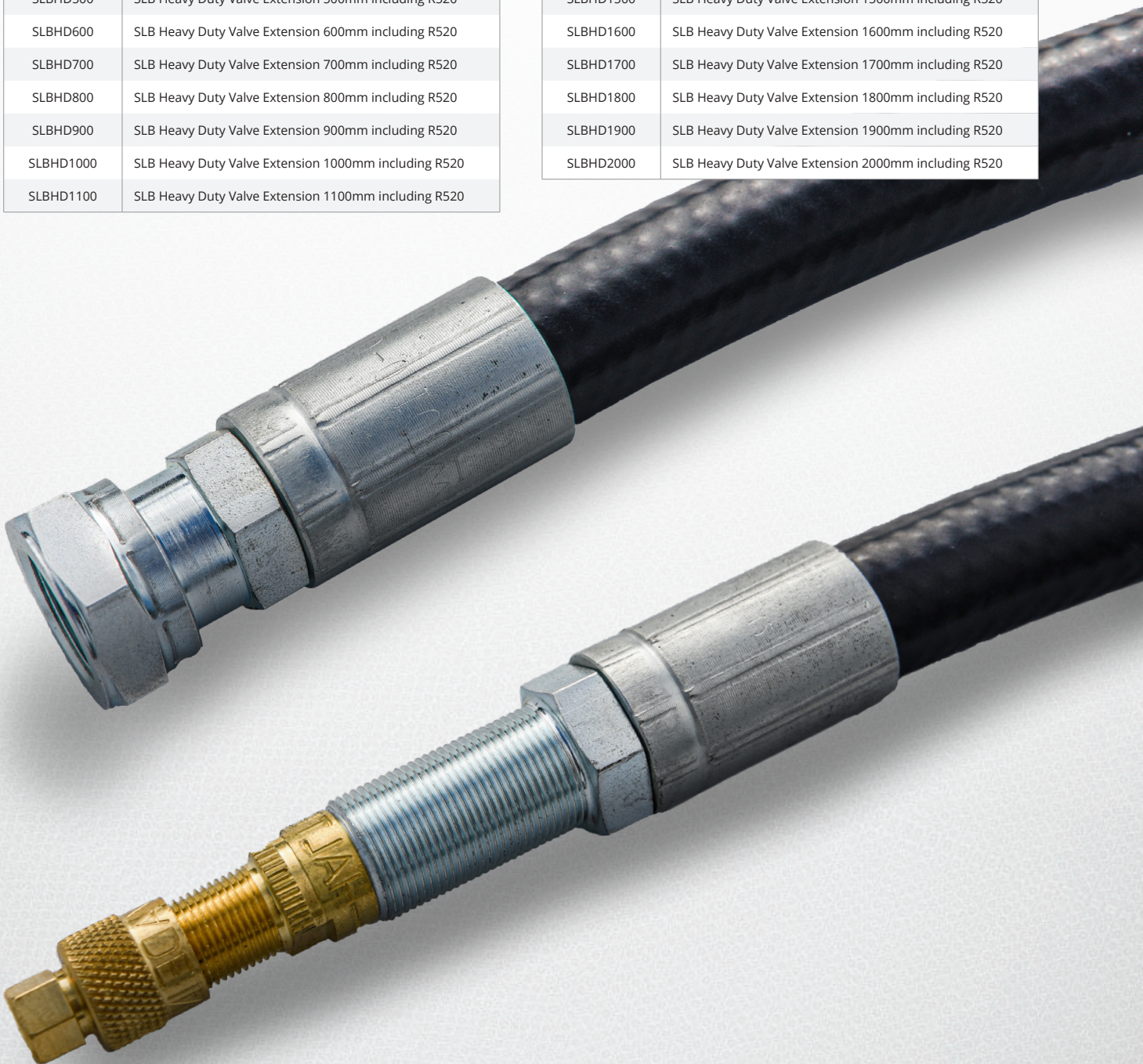


SLB HD VALVE EXTENSIONS

Heavy duty valve extensions to last the test of time. With the option to pre-fabricate to any length to suit large dump truck tyre valves & the ability to be unaffected by rock damage & last the lifetime of an EM rim, these valve extensions with developed hydraulic style crimp fitting to withstand pressure up to 2500PSI should be your first choice.

SIZE	DESCRIPTION
SLBHD200	SLB Heavy Duty Valve Extension 200mm including R520
SLBHD300	SLB Heavy Duty Valve Extension 300mm including R520
SLBHD400	SLB Heavy Duty Valve Extension 400mm including R520
SLBHD500	SLB Heavy Duty Valve Extension 500mm including R520
SLBHD600	SLB Heavy Duty Valve Extension 600mm including R520
SLBHD700	SLB Heavy Duty Valve Extension 700mm including R520
SLBHD800	SLB Heavy Duty Valve Extension 800mm including R520
SLBHD900	SLB Heavy Duty Valve Extension 900mm including R520
SLBHD1000	SLB Heavy Duty Valve Extension 1000mm including R520
SLBHD1100	SLB Heavy Duty Valve Extension 1100mm including R520

SIZE	DESCRIPTION
SLBHD1200	SLB Heavy Duty Valve Extension 1200mm including R520
SLBHD1300	SLB Heavy Duty Valve Extension 1300mm including R520
SLBHD1400	SLB Heavy Duty Valve Extension 1400mm including R520
SLBHD1500	SLB Heavy Duty Valve Extension 1500mm including R520
SLBHD1600	SLB Heavy Duty Valve Extension 1600mm including R520
SLBHD1700	SLB Heavy Duty Valve Extension 1700mm including R520
SLBHD1800	SLB Heavy Duty Valve Extension 1800mm including R520
SLBHD1900	SLB Heavy Duty Valve Extension 1900mm including R520
SLBHD2000	SLB Heavy Duty Valve Extension 2000mm including R520

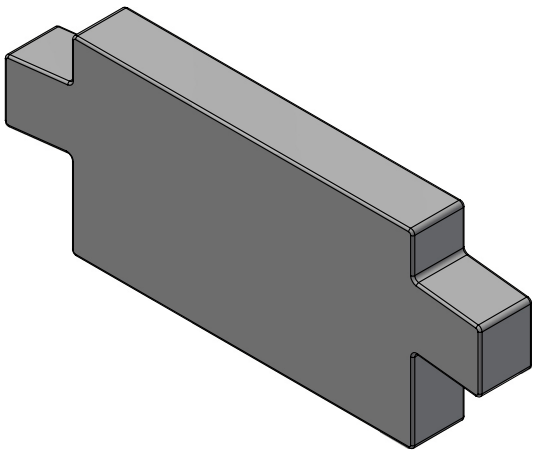




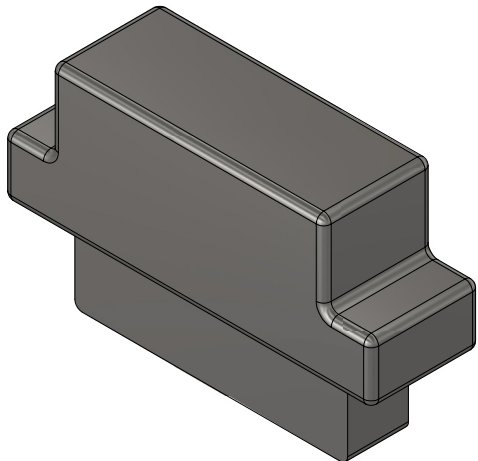
DRIVER KEYS

PART NUMBER	DESCRIPTION
800.990.046	DR1778 / DP1778
800.990.063	DR017 (25" HTN - Straight Type, UK)
800.990.071	DR31C (25" HTN - Straight Type, USA)
800.990.072	DR31E
800.990.069	DR1954 (Cat 994 Type)
800.990.074	DR48B (Cat 992 Tiger)
800.990.076	FK1 Flat (25")
800.990.077	FK7 (25" HTN Curved Type)
800.990.081	25' Wagner Key

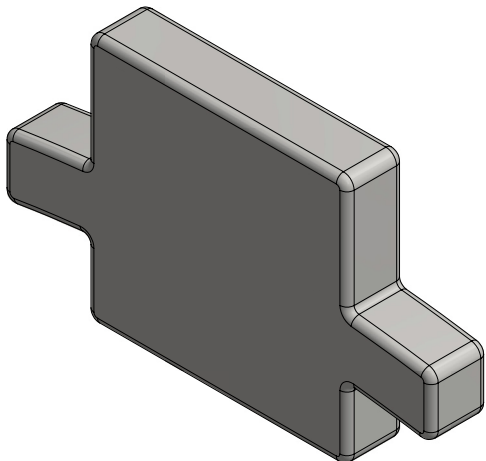
800-990-069



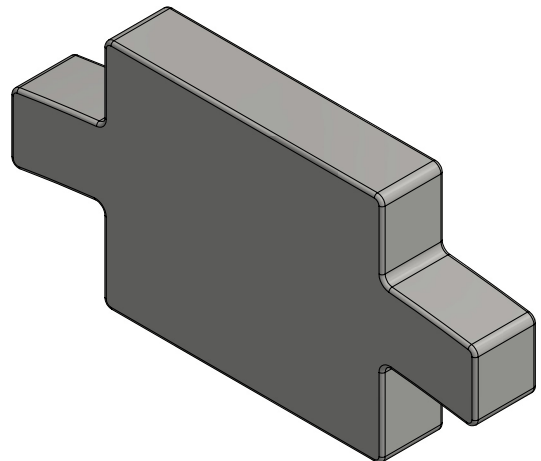
800-990-072



800-990-076



800-990-077



OTR ACCESSORIES

KOMATSU 830E-AC (OBELIX)

OTR designed and engineered a solution to the minimum dual spacing (MDS) issue on the Komatsu 830E-AC Haul truck to allow the fitment of the Michelin 50/80R57 XDR250.

This was brought about by the discovery in late 2015 that the MDS kit provided by Komatsu failed to meet minimum requirements of Michelin.

This solution was designed, engineered manufactured and delivered in less than 6 months and in 9 months 180 wheel assemblies had been delivered, allowing RTIO to rapidly deploy these tyres.

This has given RTIO the option to minimise the purchase of replacement rims, thus helping to minimise surplus inventory on site.

KOMATSU 830E & TEREX MT 4400 HD BACK SECTION

Design change implemented to address the premature failure of back sections on haul truck rims from component indexing.

Heavy Duty designed back section contact point after 12,000 hours of service at West Angelas was one of the hardest sites on back sections and the failure rate of the OEM rims was extremely high.

Long term result has seen a large reduction in required back section replacements over the OEM rims.

KOMATSU 930E-4 AT VERTICAL MOUNT

Design for fitment to positions 1, 2, 4 & 5 to complement the double gutter wheels on positions 3 & 6, allowing all tyres on the truck to be pre-fitted with dual bead seat bands for the life of the tyres.

This helped eliminate the need for any vertical bead breaking in the truck.

The rims and components supplied by OTR are 100% compatible with

KOMATSU 930E-4 AT DOUBLE GUTTER

Designed for fitment to positions 3 & 6, allowing all rear tyre positions to be changed without the need to remove wheels.

The rims and components supplied by OTR are 100% compatible with OEM equipment.

HEAVY DUTY 45" WHEELS

Designed to address the high failure rate of the 45" back section of wheel loader wheels from various PMO sites. This heavy duty back section has now become standard on all new wheels and all repairs requiring back section replacement.

Since the implementation there has been a large reduction in back sections requiring replacement.

VERTICAL MOUNT KOMATSU WA1200 WHEEL

Developed to assist in tyre changes on Komatsu WA1200 loaders running Michelin X-Mine D2 tyres which are restricted to having beads seated in horizontal position to reduce the possibility of 'hung beads'.

COMPONENT IDENTIFICATION GAUGE

OTR has designed and supplied a range of gauges to assist sites. Below are a list of some examples:

- Rim length go/no-go gauges for Komatsu 730 & 830 haul trucks.
- Rim inside diameter go/no-go gauges.
- Lock ring groove profile gauges.
- Lock ring/bead seat band angle gauges.
- Lock ring groove wear gauges for accurately assessing lock ring groove wear on radius's profiles (internal use only).
- Component compatibility gauges.

CLEAT JACKING BOLTS (INC NEW HITACHI EH5000)

Designed for removal of cleats from rear wheel ends on electric drive trucks these are specifically designed for each individual application.

Manufactured from grade 4340 HSLA material and Zinc plated for corrosion resistance.

AUSTRALIAN MANUFACTURED LETOURNEAU L2350 WHEEL

This is manufactured domestically, delivering a cost saving of 20% compared with the OEM wheel manufactured in the US.

It also allows additional manufacturing control for OTR to make minor design enhancements like the removal of troublesome valve protectors.

STEEL TRANSPORT FRAMES FOR WHEELS & COMPONENTS

Designed to safely transport large OTR wheels and quantities of components to and from site, they are double stackable to reduce freight costs.

Over 500 transport frames are currently in service.

LOCK RING RETAINING & SPREADER TOOL

Designed to improve the removal and re-fitment of the lock ring of inner positions on double gutter.

This is designed to increase safety and reduce fatigue for tyre fitters.

Available for use on 51" to 63" wheels.

COMPONENT FITTING STANDS

Designed to assist tyre fitters in the pre-fitment of components and/or tyres prior to bringing equipment out of production for tyre maintenance events.

This provides a significant benefit to production in minimising down time.



OTR

MADE IN AUSTRALIA

WHEELS BY APPLICATION

This catalogue is intended as a guide to cover the range of products supplied by OTR - Tyre Wheels Axles. Please contact our National Customer Service Centre 1300 CALL OTR for a current list price. All goods sold by OTR - Tyre Wheels Axles are covered by manufacturer's warranty.

Whilst all efforts have been made to publish this document with respect to accuracy supplied by manufacturers of products, OTR - Tyre Wheels Axles accepts no responsibility for claims resulting from information provided herein. All sales are covered by OTR - Tyre Wheels Axles Conditions of Sales and Credit Terms.

It is the responsibility of the purchaser to check all goods supplied by OTR - Tyre Wheels Axles at time of delivery. Errors in delivery must be reported to OTR - Tyre Wheels Axles Customer Service Department within 24 hours of receipt and any incorrect deliveries at the fault of OTR - Tyre Wheels Axles will be replaced by OTR - Tyre Wheels Axles without cost to the Dealer.

All goods returned outside these parameters shall be subject to a 10% surcharge and freight for returned goods shall be at the purchaser's cost. OTR - Tyre Wheels Axles return procedure must be followed otherwise goods will not be accepted.



LOADER WHEELS

PART NUMBER	WHEEL	MAKE & MODEL	TYRE SIZE
525-991-558	WHEEL 25-14.00 3PC 12/425	CASE 521E	17.5R25
525.142.010	WHEEL 25-13.00 1PC 12/425	CASE 521F	15.5R25
525-991-420	WHEEL 25-14.00 3PC 12/422	CASE 621B	17.5R25
525-991-728	WHEEL 25-17.00 3PC 12/422	CASE 621E	20.5R25
525-991-522	WHEEL 25-17.00 3PC 12/425	CASE 721E	20.5R25
525-991-820	WHEEL 25-17.00 3PC 12/425	CASE 721F	20.5R25
525-991-935	WHEEL 25-17.00 3PC 12/425	CASE 721F SPECIAL	20.5R25
525-991-714	WHEEL 25-17.00 3PC 16/422	CASE 821C 370420A1	20.5R25
525-991-326	WHEEL 25-19.50 5PC 16/422	CASE 821C 370420A1	23.5R25
525-991-923	WHEEL 25-14.00 3PC 10/335	CASE 865 LOADER	17.5R25
525-991-802	WHEEL 25-19.50 5PC 20/425	CASE 921F	23.5R25
520.438.010	WHEEL 20-7.00 2PC 8/275	CAT 907H	10.00-20, 9.00-20
520-990-228	WHEEL 20-11W 1PC 10/335	CAT 908	360/70R20,
520.477.010	WHEEL 20-8.00 2PC 8/275	CAT 908H	10.00-20
525-991-786	WHEEL 24-10.00 3PC 8/457	CAT 910	14.00-24
525-991-652	WHEEL 25-12.00 3PC 8/457	CAT 910	15.5R25
525-991-147	WHEEL 25-14.00 3PC 8/200	CAT 914G	17.5R25
525-991-539	WHEEL 25-14.00 3PC 16/250	CAT 918F	17.5R25
525-991-316	WHEEL 25-12.00 3PC 8/457	CAT 920	15.5R25
524-991-157	WHEEL 24-10.00 3PC 8/457	CAT 920/G	14.00-24
525-991-589	WHEEL 25-14.00 3PC 16/250	CAT 924G/H	17.5R25
525-991-188	WHEEL 25-17.00 3PC 16/250	CAT 924GZ, CAT 928/930F/G/H	20.5R25
525-991-846	WHEEL 25-17.00 5PC 16/250	CAT 924H	20.5R25
525-991-878	WHEEL 25-17.00 3PC 16/250	CAT 924K (F+247MM)	20.5R25
525-991-525	WHEEL 25-14.00 3PC 10/458	CAT 926/926E	17.5R25
525-991-302	WHEEL 25-17.00 3PC 16/250	CAT 928/930F/G/H, IT28/B	20.5R25
525-991-489	WHEEL 25-14.00 3PC 16/250	CAT 928F	17.5R25
525-991-502	WHEEL 25-14.00 3PC 10/501	CAT 930	17.5R25
525-991-619	WHEEL 25-14.00 3PC 16/250	CAT 930G/H	17.5R25
525-991-863	WHEEL 25-17.00 3PC 16/250	CAT 930K (F+210MM)	20.5R25
525-991-642	WHEEL 25-17.00 3PC 12/515	CAT 936	20.5R25
525-991-729	WHEEL 25-14.00 3PC 10/458	CAT 936E	17.5R25
525-991-190	WHEEL 25-17.00 3PC 16/275	CAT 938F/G-IT38/G	20.5R25
525-991-783	WHEEL 25-17.00 5PC 16/275	CAT 938G / IT38G	20.5R25
525-991-723	WHEEL 25-17.00 3PC 16/285	CAT 938H / CAT IT38H	20.5R25
525-991-753	WHEEL 25-17.00 3PC 16/425	CAT 938K	20.5R25
525-991-614	WHEEL 25-14.00 3PC 12/513	CAT 950	17.5R25
525-991-596	WHEEL 25-17.00 3PC 16/515	CAT 950B	20.5R25
525-991-506	WHEEL 25-19.50 5PC 16/515	CAT 950B/E	23.5R25

PART NUMBER	WHEEL	MAKE & MODEL	TYRE SIZE
525-991-421	WHEEL 25-19.50 5PC 20/310	CAT 950G/H/M / 952/962H/IT62G/H	23.5R25
525-991-827	WHEEL 25-22.00 5PC 20-310	CAT 950M LOADER	26.5R25
525-991-797	WHEEL 25-19.50 5PC 20/310	CAT 962K	23.5R25
525-991-551	WHEEL 25-19.50 5PC 20/375	CAT 966D/E/F	23.5R25
525-991-377	WHEEL 25-19.50 5PC 20/515	CAT 966D/E/F	23.5R25
525-991-391	WHEEL 25-22.00 5PC 20/515	CAT 966D/E/F	26.5R25
525-991-415	WHEEL 25-22.00 5PC 20/375	CAT 966G/H/M/ 972G/H/M	26.5R25
525-991-369	WHEEL 25-22.00 5PC 23/482	CAT 980B/C/F	26.5R25
525-991-673	WHEEL 25-25.00 5PC 23/482	CAT 980B/C/F	29.5R25
525-991-251	WHEEL 25-22.00 5PC 23/482	CAT 980C	26.5R25
525-991-307	WHEEL 25-25.00 5PC 26/485	CAT 980G/H/K/L/M 824H	29.5R25
529-991-296	WHEEL 29-25.00 5PC 32/582	CAT 982M	29.5R29, 775/65R29
529-991-295	WHEEL 29-27.00 5PC 32/582	CAT 982M	875/65R29
533-991-296	WHEEL 33-28.00 5PC 40/705	CAT 988B/C/F CAT834B	35/65R33
533-991-301	WHEEL 33-28.00 5PC 38/692	CAT 988G/H/K	35/65R33
533-991-337	WHEEL 33-28.00 5PC 38/692	CAT 988G/H/K	35/65R33
539-991-299	WHEEL 39-36.00 N5P	CAT 990	45/65R39
539-091-001	WHEEL 39-32.00 5PC 48/826	CAT 990/990H/844/844H	45/65R39, 40/65-39
545-991-296	WHEEL 45-36.00 5PC	CAT 992 B/C/D/F	45/65R45
545-991-303	WHEEL 45-36.00 5PC	CAT 992G/H/K XHD	45/65R45
500-990-768	WHEEL 45-36.00 5PC	CAT 992G/H/K, CAT 854 G/H/K	45/65R45
551-051-001	WHEEL 51-40.00 5PC	CAT 993K	50/65R51
551-071-001	WHEEL 51-40.00 6PC	CAT 993K VMW	50/65R51
557-051-002	WHEEL 57-36.00 5PC 61/1230	CAT 994/994H	50/80-57
557-051-007	WHEEL 57-44.00 5PC 61/1230	CAT 994/994H	55/80R57
557-051-003	WHEEL 57-47.00 5PC 61/1230	CAT 994/994H	60/80R57
557-051-006	WHEEL 57-47.00 5PC 60/1230	CAT 994K	60/80R57
525-991-843	WHEEL 25-12.00 3PC 10/200	CAT IT12B	15.5R25
525-991-148	WHEEL 25-14.00 3PC 8/200	CAT IT14G	17.5R25
525-991-546	WHEEL 25-14.00 3PC 10/458	CAT IT18/B	17.5R25
525-991-545	WHEEL 25-14.00 3PC 16/250	CAT IT24	17.5R25
525-991-149	WHEEL 25-14.00 3PC 10/458	CAT IT28/B	17.5R25
525-991-509	WHEEL 25-14.00 3PC 10/458	CAT IT28B	17.5R25
525-991-283	WHEEL 25-14.00 3PC 16/250	CAT IT28F/G	17.5R25
524.525.010	WHEEL 24-14W 1PC 8/275 VG	CAT TH406 / TH407	15.5/80-24
525-991-800	WHEEL 25-17.00 3PC 12/425	DOOSAN DL250, MEGA250-V	20.5R25
525.159.010	WHEEL 25-19.50 3PC 16/425	DOOSAN DL300 LOADER	23.5R25
525-991-934	WHEEL 25-22.00 3PC 20/425	DOOSAN DL450 LOADER	26.5R25
525.119.010	WHEEL 25-17.00 3PC 14/304.8	HITACHI 624K	20.5R25

LOADER WHEELS

PART NUMBER	WHEEL	MAKE & MODEL	TYRE SIZE
525-991-157	WHEEL 25-17.00 3PC 14/305	HITACHI LX120	20.5R25
525-991-254	WHEEL 25-22.00 5PC 14/304.8	HITACHI LX230-3	26.5R25
525.144.010	WHEEL 25-13.00 1PC 12/210	HITACHI ZW120	15.5R25
525-991-807	WHEEL 25-14.00 3PC 12/210	HITACHI ZW120	17.5R25
525-991-771	WHEEL 25-17.00 3PC 12/210	HITACHI ZW120	20.5R25
525-991-900	WHEEL 25-17.00 3PC 13/230	HITACHI ZW140-5B	20.5R25
525-991-665	WHEEL 25-17.00 3PC 15/252	HITACHI ZW150 / KAW 70Z7	20.5R25
525-991-901	WHEEL 25-17.00 3PC 15/254	HITACHI ZW180-5B	20.5R25
525-991-866	WHEEL 25-19.50 5PC 18/335	HITACHI ZW220-5B	23.5R25
525-991-819	WHEEL 25-22.00 5PC 20/370	HITACHI ZW250-5	26.5R25
525-991-902	WHEEL 25-19.50 3PC 20/370	HITACHI ZW250-5B	23.5R25
525-991-844	WHEEL 25-19.50 5PC 20/370	HITACHI ZW250-5B	23.5R25
525-991-566	WHEEL 25-22.00 5PC 20/370	HITACHI ZW310	26.5R25
525-991-903	WHEEL 25-22.00 3PC 20/370	HITACHI ZW330-5B	26.5R25
533-991-338	WHEEL 33-28.00 5PC 32/580	HITACHI ZW550-5B # 4342460360	35/65R33
525-991-495	WHEEL 25-14.00 3PC 10/335	HYUNDAI HL730-7	17.5R25
525-991-480	WHEEL 25-17.00 3PC 12/425	HYUNDAI HL740-7 & HL757TM-7A	20.5R25
525-991-799	WHEEL 25-17.00 3PC 12/425	HYUNDAI HL757-7 & 9	20.5R25
525-991-475	WHEEL 25-19.50 5PC 16/501	HYUNDAI HL760-7/7A	23.5R25
525-991-839	WHEEL 25-19.50 5PC 16/425	HYUNDAI HL760-9	23.5R25
525-991-310	WHEEL 25-22.00 5PC 19/500	HYUNDAI HL770-7	26.5R25
525-991-750	WHEEL 25-22.00 5PC 20/425	HYUNDAI HL770-9	26.5R25
525-991-734	WHEEL 25-25.00 5PC 20/425	HYUNDAI HL770-9	29.5R25
525-991-725	WHEEL 25-25.00 5PC 19/500	HYUNDAI HL780-7A	29.5R25
525-991-860	WHEEL 25-25.00 5PC 23/500	HYUNDAI HL780-9	29.5R25
525-991-788	WHEEL 25-19.50 5PC 12/475	HYUNDAI LOADER	23.5R25
525-991-487	WHEEL 25-14.00 3PC 12/425	JCB 416HT	17.5R25
525-991-841	WHEEL 25-17.00 3PC 12/425	JCB 426/JCB 437	20.5R25
525-991-483	WHEEL 25-14.00 3PC 5/335	JCB 531/70	17.5R25
524.620.010	WHEEL 24-8.50 3PC 5/335	JCB 550-140 TELEHANDLER	12.00-24
525-991-798	WHEEL 25-19.50 5PC 12/482	JCB 714	23.5R25
525-991-577	WHEEL 25-14.00 3PC 12/480	JCB 714 TOOL CARR	17.5R25
525-991-761	WHEEL 25-19.50 5PC 16/500	JCB 718 ATD	23.5R25
528-991-016	WHEEL 28-15W 1PC 8/203	JD 310DG	16.9-28
528-990-340	WHEEL 28-15W 1PC 8/203	JD 315SE/SG	16.9-28
528-991-014	WHEEL 28-15W 1PC 10/335	JD 315SJ	16.9-28
525-991-748	WHEEL 25-14.00 3PC 12/425 VG	JD 444K	17.5R25
525-991-879	WHEEL 25-17.00 3PC 14/304.VG	JD 524L	20.5R25
525-991-437	WHEEL 25-17.00 3PC 14/304	JD 544J/K	20.5R25

PART NUMBER	WHEEL	MAKE & MODEL	TYRE SIZE
525-991-876	WHEEL 25-17.00 3PC 14/304	JD 624L / 624 K	20.5R25
525-991-555	WHEEL 25-19.50 5PC 14/304	JD 644J/K	23.5R25
525-991-666	WHEEL 25-19.50 3PC 14/304	JD 644K	23.5R25
525-991-574	WHEEL 25-12.00 3PC 14/304	JD 646B	15.5R25
525-991-787	WHEEL 25-22.00 5PC 14/304	JOHN DEERE 744K/824K/824L	26.5R25
525-991-632	WHEEL 25-22.00 5PC 16/480	KAWASAKI 85ZV-2 / 90ZV	26.5R25
525-991-572	WHEEL 25-19.50 5PC 16/480	KAWASAKI 90ZIV	23.5R25
525-991-650	WHEEL 25-25.00 5PC 22/510	KAWASAKI 95/97 ZV, ZW370-5B	29.5R25
525-991-503	WHEEL 25-17.00 3PC 12/245	KOM WA250PT-5H / WA200PZ-6 / WA250PZ-6	20.5R25
525-991-533	WHEEL 25-25.00 5PC 27/481	KOM WA500-6, WA500-7, WA500-8	29.5R25
557-052-010	WHEEL 57-47.00 5PC 61/1230	KOMATSU WA1200	60/80R57
557-052-013	WHEEL 57-52.00 5PC 61/1230	KOMATSU WA1200	65/65-57
563-062-003	WHEEL 63-47.00 5PC HDS	KOMATSU WA1200	58/80R63
557-071-002	WHEEL 57-47.00 6PC 61/1230 VM	KOMATSU WA1200 VERT. MOUNT	60/80R57
525-991-123	WHEEL 25-12.00 3PC 12/210	KOMATSU WA120-1/3	15.5R25
525-991-668	WHEEL 25-14.00 3PC 12/210	KOMATSU WA180-3	17.5R25
525-991-620	WHEEL 25-14.00 3PC 12/245	KOMATSU WA200-5	17.5R25
525-991-790	WHEEL 25-17.00 3PC 12/425	KOMATSU WA270-3	20.5R25
525-991-470	WHEEL 25-17.00 3PC 15/254	KOMATSU WA320-5/8/PZ-6	20.5R25
525-991-329	WHEEL 25-17.00 3PC 18/320	KOMATSU WA350-1E	20.5R25
525-991-381	WHEEL 25-19.50 5PC 18/320	KOMATSU WA380-3/5H, WA380-6, WA380-8	23.5R25
525-991-532	WHEEL 25-19.50 5PC 25/494	KOMATSU WA400-1	23.5R25
525-991-524	WHEEL 25-19.50 5PC 21/355	KOMATSU WA430-6	23.5R25
525-991-875	WHEEL 25-22.00 5PC 21/355	KOMATSU WA430-6	26.5R25
525-991-345	WHEEL 25-22.00 5PC 25/493	KOMATSU WA470	26.5R25
525-991-300	WHEEL 25-22.00 5PC 24/405	KOMATSU WA470-5/6/7, WA480 1-6	26.5R25
525-991-702	WHEEL 25-22.00 5PC 24/405	KOMATSU WA470-6H (EURO MODEL)	26.5R25
525-991-695	WHEEL 25-22.00 5PC 31/490	KOMATSU WA500-3	26.5R25
525-991-266	WHEEL 25-25.00 5PC 31/490	KOMATSU WA500-3	29.5R25
533-991-293	WHEEL 33-28.00 5PC 31/550	KOMATSU WA600 / 600-3	35/65R33
533-991-308	WHEEL 33-28.00 5PC 38/660	KOMATSU WA600-6 / WA600-8	35/65R33
518-990-226	WHEEL 18-11W 1PC 8/275	KOMATSU WA65-5	12.5/80-18, 13/65-18
545-991-308	WHEEL 45-36.00 5PC 53/908 ES	KOMATSU WA800/900 ES CMPNTS	45/65R45
545-991-304	WHEEL 45-36.00 5PC 53/908	KOMATSU WA900 XHD	45/65R45
518-990-230	WHEEL 18-11W 1PC 8/275	KOMATSU WB97R-5	12.5/80-18, 13/65-18
524-991-181	WHEEL 24-15W 1PC 10/335	KOMATSU WB97R-5	16.9-24,
528-991-012	WHEEL 28-15W 1PC 10/335	KOMATSU WB97R-5 /WB97S-5	16.9-28
557-052-012	WHEEL 57-47.00 5PC	KOMATSU WE1850 (LETOURNEAU L1850)	60/80R57
557-051-004	WHEEL 57-60.00 5PC	KOMATSU WE2350 (LETOURNEAU L2350)	70/70-57

LOADER WHEELS

PART NUMBER	WHEEL	MAKE & MODEL	TYRE SIZE
563-062-001	WHEEL 63-44.00 5PC	KOMATSU WE2350 (LETOURNEAU L2350)	58/80R63
551-051-002	WHEEL 51-40.00 5PC	LETOURNEAU L1400	50/65R51
557-052-011	WHEEL 57-47.00 5PC	LETOURNEAU L1800	60/80R57
545-991-302	WHEEL 45-36.00 5PC	LETOURNEAU L-950	45/65R45
525-991-937	WHEEL 25-17.00 3PC 10/335	LIEBHERR L524	20.5R25
525-991-899	WHEEL 25-17.00 3PC 12/425	LIEBHERR L538	20.5R25
525-991-803	WHEEL 25-19.50 3PC 16/425	LIEBHERR L556	23.5R25
525-991-877	WHEEL 25-22.00 5PC 20/425	LIEBHERR L576	26.5R25
525-991-834	WHEEL 25-25.00 5PC 24/508	LIEBHERR L586	29.5R25
525-991-552	WHEEL 25-12.00 3PC 8/275	MANITOU	15.5R25
525-991-559	WHEEL 25-12.00 3PC 8/275	MANITOU	15.5R25
524-991-183	WHEEL 24-15W 1PC 8/275	MANITOU MANISCAPE MT 425-CP	16.9-24, 480/70R24, 440/65R24
525-991-601	WHEEL 25-12.00 3PC 8/275	MANITOU MLT-725 120 LOADER	15.5R25
516-990-096	WHEEL 16.5-8.25 1PC 5/139	MANITOU TMT320	10-16.5
525-991-291	WHEEL 25-19.50 5PC 18/425	VOLVO L110/L120C/D/E/F/H	23.5R25
525-991-730	WHEEL 25-19.50 3PC 18/425	VOLVO L110F	23.5R25
525-991-414	WHEEL 25-17.00 3PC 18/425	VOLVO L120 C/D/E/F/H	20.5R25
525-991-911	WHEEL 25-19.50 5PC 12/425	VOLVO L120B	23.5R25
525-991-938	WHEEL 25-19.50 3PC 18/425	VOLVO L120F	23.5R25
529-990-005	WHEEL 29-24.00 5PC 24/500	VOLVO L150E/F L180E/H	775/65R29
525-991-306	WHEEL 25-22.00 5PC 24/500	VOLVO L150E/F/G L180C/E/F/G	26.5R25
525-991-893	WHEEL 25-25.00 5PC 30/500	VOLVO L160/250/260 G/H	29.5R25
525-991-293	WHEEL 25-25.00 5PC 30/500	VOLVO L220E/F/G	29.5R25
549-041-002	WHEEL 49-19.50 5PC	LETOURNEAU L950	27.00R49
529-991-291	WHEEL 29-27.00 5PC 30/500	VOLVO L220G	875/65R29
525-991-898	WHEEL 25-25.00 5PC 30/500	VOLVO L260 G WITH SURLOC	29.5R25
533-991-318	WHEEL 33-28.00 5PC	VOLVO L350F	35/65R33
525.140.010	WHEEL 25-14.00 3PC 10/335	VOLVO L45F	17.5R25
525-991-404	WHEEL 25-12.00 3PC 8/250	VOLVO L50B/C	15.5R25
525.111.010	WHEEL 25-14.00 1PC 10/335	VOLVO L50D/F	17.5R25
525-991-833	WHEEL 25-14.00 3PC 10/335	VOLVO L60E	17.5R25
525-991-357	WHEEL 25-17.00 3PC 10/335	VOLVO L60E/F/H	20.5R25
525.146.010	WHEEL 25-14.00 3PC 12/425	VOLVO L70	17.5R25
525-991-710	WHEEL 25-17.00 3PC 10/335	VOLVO L70B/C/D	20.5R25
525-991-220	WHEEL 25-17.00 3PC 16/335	VOLVO L70E/F	20.5R25
525-991-682	WHEEL 25-17.00 5PC 16/335	VOLVO L70F	20.5R25
525-991-221	WHEEL 25-17.00 3PC 12/425	VOLVO L90B	20.5R25
525-991-222	WHEEL 25-17.00 3PC 12/425	VOLVO L90C/D	20.5R25
525-991-223	WHEEL 25-17.00 3PC 16/335	VOLVO L90E/F/H	20.5R25

DUMP TRUCK WHEELS

PART NUMBER	WHEEL	MAKE & MODEL	TYRE SIZE
357-080-006	RIM 57-34.00 5PC	3/4" NPT	40.00R57, 46/90R57
357-080-007	RIM 57-34.00 7PC DLR	3/4" NPT	40.00R57, 46/90R57
563-002-007	WHEEL 63-41.00 5 PC STMT	950556 T282-C LIEBHERR 4163 P 1 & 2	56/80R63
563-002-008	WHEEL 63-41.00 5PC STMT	950556 T282-C LIEBHERR 4163 P 4 & 5	56/80R63
563-002-006	WHEEL 63-41.00 7PC ACT	950595 T282-C LIEBHERR 4163 P 3 & 6	56/80R63
300-990-424	RIM 57-29.00 5PC	BELAZ	40.00R57, 46/90R57
300-990-427	RIM 51-24.00 5PC DEMOUNTABLE	BELAZ 130T Q345E	33.00R51
300-990-485	RIM 51-24.00 5PC DEMOUNTABLE	BELAZ 7513	33.00R51
535-991-279-CP	WHEEL 35-15.00 5PC	BELLY DUMPERS	21.00R33
533-991-290	WHEEL 33-13.00 5PC	CAT 769, 770, 771,772 B/C/D/G	18.00R33
533-991-340	WHEEL 33-15.00/3.0	CAT 772G	21.00R33
535-991-298	WHEEL 35-15.00 5PC	CAT 773A, B/C	21.00R35
TA01848	WHEEL 35-17.00 5PC	CAT 773B-G 775D-G	24.00R35
551-053-001	WHEEL 51-24.00 5PC	CAT 776 170T TRAILER INNER	33.00R51
551-082-001	WHEEL 51-24.00 7PC DLR	CAT 776 170T TRAILER OUTER	33.00R51
551-052-001	WHEEL 51-22.00 5PC	CAT 776/777F LONG HAUL	30.00R51
551-082-003	WHEEL 51-22.00 7PC DLR	CAT 776/777F LONG HAUL	30.00R51
551-012-001	WHEEL 51-22.00 6PC SVM	CAT 776/777F LONG HAUL	30.00R51
549-001-001	WHEEL 49-19.50 6PC OVM	CAT 777	27.00R49
549-082-001	WHEEL 49-19.50 7PC DLR	CAT 777	27.00R49
549-991-299	WHEEL 49-19.50 5PC	CAT 777 A - 145 OFFSET	27.00R49
549-991-298	WHEEL 49-19.50 5PC	CAT 777 B/C/D/E/F/G	27.00R49
549-991-305	WHEEL 49-17.00 5PC	CAT 777A	21.00R49
551-002-001	WHEEL 51-24.00 6PC OVM	CAT 785	33.00R51
551-082-002	WHEEL 51-24.00 7PC DLR	CAT 785	33.00R51
551-082-006	WHEEL 51-24.00 7PC DLR	CAT 785	33.00R51
551-052-003	WHEEL 51-26.00 5PC	CAT 785	36.00R51
551-052-002	WHEEL 51-24.00 5PC	CAT 785	33.00R51
551-052-004	WHEEL 51-26.00 5PC	CAT 785 ADAPTOR NAVE FITTED	36.00R51
551-052-006	WHEEL 51-26.00 5PC SPECIAL	CAT 785 ADAPTOR NAVE REVERSED	36.00R51
551-990-631	WHEEL 51-24.00 5PC	CAT 785C	33.00R51
557-052-001	WHEEL 57-29.00 5PC	CAT 789	37.00R57, 40.00R57
557-002-001	WHEEL 57-29.00 6PC OVM	CAT 789	37.00R57, 40.00R57
557-012-001	WHEEL 57-29.00 6PC SVM	CAT 789	37.00R57, 40.00R57
557-082-001	WHEEL 57-29.00 7PC DLR	CAT 789	37.00R57, 40.00R57
557-002-010	WHEEL 57-29.00 6PC OVM	CAT 793	40.00R57, 46/90R57
557-012-002	WHEEL 57-29.00 6PC SVM	CAT 793	40.00R57, 46/90R57
557-002-011	WHEEL 57-32.00 6PC OVM	CAT 793	40.00R57, 46/90R57, 50/80R57
557-082-007	WHEEL 57-29.00 7PC DLR	CAT 793 38MM NAVE	40.00R57, 46/90R57

DUMP TRUCK WHEELS

PART NUMBER	WHEEL	MAKE & MODEL	TYRE SIZE
557-052-008	WHEEL 57-32.00 5PC	CAT 793D	40.00R57, 46/90R57, 50/80R57
557-052-003	WHEEL 57-29.00 5PC	CAT 793D & CAT 793F	40.00R57, 46/90R57
557-082-003	WHEEL 57-29.00 6PC DLR	CAT 793D + SPECIAL VALVE GAURD	40.00R57, 46/90R57
557-002-006	WHEEL 57-29.00 6PC OVM	CAT 793D 38MM NAVE	40.00R57, 46/90R57
557-002-003	WHEEL 57-29.00 6PC OVM	CAT 793D 70MM NAVE	40.00R57, 46/90R57
557-002-004	WHEEL 57-32.00 6PC OVM	CAT 793D 70MM NAVE	40.00R57, 46/90R57
557-052-017	WHEEL 57-32.00 5PC	CAT 793F	40.00R57, 46/90R57, 50/80R57
557-052-014	WHEEL 57-32.00 5PC	CAT 793F	40.00R57, 46/90R57, 50/80R57
557-002-005	WHEEL 57-32.00 6PC OVM	CAT 793F	40.00R57, 46/90R57, 50/80R57
557-012-003	WHEEL 57-32.00 6PC SVM	CAT 793F	40.00R57, 46/90R57, 50/80R57
557-082-004	WHEEL 57-32.00 7 PC DLR	CAT 793F 38MM NAVE	40.00R57, 46/90R57, 50/80R57
557-012-003C	WHEEL 57-32.00 6PC SVM	CAT 793F 38MM NAVE C/W TAPERED CLIP	40.00R57, 46/90R57, 50/80R57
557-082-002	WHEEL 57-32.00 7PC DLR	CAT 793F 70MM	40.00R57, 46/90R57, 50/80R57
563-062-004	WHEEL 63-36.00 5PC	CAT 794 FRONT	53/80R63
563-062-005	WHEEL 63-36.00 5PC	CAT 794 INNER REAR	53/80R63
563-082-009	WHEEL 63-36.00 7PC DLR	CAT 794 OUTER REAR	53/80R63
563-002-002	WHEEL 63-41.00 6PC OVM	CAT 795	56/80R63
563-012-002	WHEEL 63-41.00 6PC SVM	CAT 795	56/80R63
563-012-006	WHEEL 63-41.00 5PC XT	CAT 795F EARLY	56/80R63
563-990-001	WHEEL 63-44.00 6PC OVM	CAT 797	59/80R63
563-990-002	WHEEL 63-44.00 6PC SVM	CAT 797	59/80R63
563-002-004	WHEEL 63-41.00 6PC OVM	CAT MT5300	56/80R63
300-990-275	RIM 25-10.00 5PC HSLA	DEMOUNTABLE + SURLOC	385/95R25
357-080-002	RIM 57-27.00 7PC DLR	DEMOUNTABLE ASSEMBLY	37.00R57, 42/90R57
357-080-001	RIM 57-29.00 7PC DLR	DEMOUNTABLE ASSEMBLY	40.00R57, 46/90R57
357-080-003	RIM 57-32.00 7PC DLR	DEMOUNTABLE ASSEMBLY	40.00R57, 46/90R57
557-991-318	RIM 57-29.00 7PC HSLA DLR	EH3500 EH4000	40.00R57, 46/90R57
563-082-006	WHEEL 63-36.00 7PC DLR	FROM STD 930E POS 3 & 6	53/80R63
533-991-319	WHEEL 33-15.00 5PC	HAULMAX 3900	21.00R33
535-991-279	WHEEL 35-15.00 5PC	HAULMAX 3900	21.00R33
357-050-012	RIM 57-29.00 5PC HSLA	HITACHI EH3500-4000 ACII	40.00R57, 46/90R57
357-050-013	RIM 57-29.00 5PC HSLA	HITACHI EH3500-4000 ACII	40.00R57, 46/90R57
357-080-005	RIM 57-29.00 7PC HSLA DLR	HITACHI EH3500-4000 ACII	40.00R57, 46/90R57
357-050-011	RIM 57-32.00 5PC HSLA	HITACHI EH3500-4000 ACII	40.00R57, 46/90R57
357-080-004	RIM 57-32.00 7PC HSLA DLR	HITACHI EH3500-4000 ACII	40.00R57, 46/90R57
357-080-008	RIM 57-29.00 7PC HSLA DLR	HITACHI EH3500-4000 ACII HINGED LR	40.00R57, 46/90R57
363-052-001	RIM 63-38.00 5PC HSW	HITACHI EH5000-III	53/80R63
363-082-001	RIM 63-38.00 7PC DLR HSW	HITACHI EH5000-III	53/80R63
300-990-483	WHEEL 57-29.00 5PC XHD	KAMAG HAULER	40.00R57, 46/90R57

PART NUMBER	WHEEL	MAKE & MODEL	TYRE SIZE
300-990-469	RIM 25-10.00 5PC HSLA	KENWORTH C540 DRIVE SUITS AXLETECH SPRC2197	385/95R25
557-991-319	RIM 57-29.00 7PC HSLA DLR	KOM 730 & 830E	37.00R57
557-052-019	WHEEL 57-29.00 5PC	KOM 730E-8AC	40.00R57
557-082-005	WHEEL 57-29.00 7PC DLR	KOM 730E-8AC	40.00R57
557-052-020	WHEEL 57-32.00 5PC	KOM 830E-5AC	40.00R57, 46/90R57, 50/80R57
557-082-006	WHEEL 57-32.00 7PC DLR	KOM 830E-5AC	40.00R57, 46/90R57, 50/80R57
300-990-378	RIM 33-13.00/2.5 5PC	KOMATSU 325-5/6 (566-81-13200)	18.00-33
551-990-632	RIM 51-26.00 5PC	KOMATSU 630E	36.00R51
300-990-393	RIM 57-27.00 5PC	KOMATSU 730E	37.00R57
300-990-364	RIM 57-27.00 5PC	KOMATSU 730E	37.00R57
300-990-316	RIM 49-19.50 5PC	KOMATSU 785/-5 W SURLOC BSB	27.00R49
549-001-002	WHEEL 49-19.50 6PC OVM	KOMATSU 785-7	27.00R49
300-990-488	RIM 57-29.00 7PC DLR	KOMATSU 830	40.00R57, 46/90R57
300-990-321-K	RIM 57-29.00 5PC	KOMATSU 830E	40.00R57, 46/90R57
563-062-002	WHEEL 63-36.00 5PC STD	KOMATSU 930E-4	53/80R63
563-082-004	WHEEL 63-36.00 6PC DLR LW	KOMATSU 930E-4	53/80R63
563-072-001	WHEEL 63-36.00 6PC ILR EUS	KOMATSU 930E-4	53/80R63
563-072-003	WHEEL 63-36.00 6PC ILR HDS	KOMATSU 930E-4	53/80R63
563-072-004	WHEEL 63-36.00 6PC ILR LW	KOMATSU 930E-4	53/80R63
563-082-001	WHEEL 63-36.00 7PC DLR EUS	KOMATSU 930E-4	53/80R63
563-082-003	WHEEL 63-36.00 7PC DLR HDS	KOMATSU 930E-4	53/80R63
300-990-465SL	RIM 51-24.00 5PC EUH WITH SUR-LOC	KOMATSU HD1500-7	33.00R51
300-990-660	RIM 51-24.00 7PC DLR	KOMATSU HD1500-7	33.00R51
551-052-011	WHEEL 51-24.00 5PC	KOMATSU HD1500-8	33.00R51
533-092-001	WHEEL 33-13.00 5PC	KOMATSU HD325-7/405-7	18.00R33
300-990-412	RIM 35-15.00/3.0 5PC	KOMATSU HD465/-3/-5/-6 / HD605	21.00R35
300-990-311	RIM 35-17.00/3.5 5PC	KOMATSU HD465-3/5/6 HD605	24.00R35
535-991-297	WHEEL 35-17.00 5PC	KOMATSU HD465-7 / HD605-7/8	24.00R35
549-991-302	WHEEL 49-19.50 5PC	KOMATSU HD785-7	27.00R49
TA03941	WHEEL 49-19.50 5PC	KOMATSU HD785-7 H/DUTY	27.00R49
551-056-004	WHEEL 51-24.00 5PC	KRESS	33.00R51
551-056-002	WHEEL 51-26.00 5PC	KRESS	36.00R51
551-056-003	WHEEL 51-26.00 5PC	KRESS	36.00R51
551-056-006	WHEEL 51-26.00 5PC 45/1123	KRESS 200	36.00R51
551-003-002	WHEEL 51-26.00 6PC OVM	KRESS CH220	36.00R51
TA07318	WHEEL 49-19.50 5PC	LIEBHERR	27.00R49
563-052-002	WHEEL 63-41.00/5.0 5PC	NHL NTE360A 6300021 INNER REAR	56/80R63
563-072-006	WHEEL 63-41.00/5.0 6PC VMS	NHL NTE360A 6300024 INNER REAR	56/80R63
563-052-001	WHEEL 63-44.00/5.0 5PC	NHL NTE360A 6300025 FRONT	59/80R63

DUMP TRUCK WHEELS

PART NUMBER	WHEEL	MAKE & MODEL	TYRE SIZE
563-072-005	WHEEL 63-44.00/5.0 6PC VMS	NHL NTE360A 6300026 FRONT	59/80R63
300-990-327	RIM 57-29.00 5PC XDR-250	OFFSE RIM KOM 830E (HINGED L/RING)	58/80R57
300-990-472	RIM 57-29.00 5PC XDR-250	OFFSET RIM BASE - KOM 830E/XDR250 FITTMENT	58/80R57
300-990-489	RIM 57-29.00 XDR-250 DG	OFFSET RIM KOM 830E XDR-250	40.00R57, 46/90R57
300-990-325	RIM 57-29.00 5PC XDR-250	OFFSET RIM, KOM 830E (SPREADER L/RING)	58/80R57
535-991-306	WHEEL 35-17.00 5PC 12/710	PERLINI DP705WD	24.00R35
351-082-001	RIM 51-26.00 7PC DLR	TEREX M3300	36.00R51
300-990-419	RIM 51-24.00 5PC	TEREX MT3300	33.00R51
351-052-001	RIM 51-26.00 5PC	TEREX MT3300	36.00R51
300-990-387	RIM 51-26.00 5PC	TEREX MT3300-SPECIAL	36.00R51
357-050-005	RIM 57-29.00 5PC STILTED DEM	TO SUIT 51" HUB SIZES	40.00R57, 46/90R57
300-990-363	RIM 25-10.00 5PC HSLA	VOLVO/MACK STEER	385/95R25
300-990-473	RIM 25-10.00 5PC DEM	WESTERN STAR (OLD) + SURLOC	385/95R25
357-082-001	RIM 57-29.00 7PC HSLA DLR		40.00R57, 46/90R57



ARTICULATED DUMP TRUCK WHEELS

PART NUMBER	WHEEL	MAKE & MODEL	TYRE SIZE
525-991-698	WHEEL 25-19.50 5PC 12/422	ASTRA ADT30	23.5R25
525-991-699	WHEEL 25-25.00 5PC 19/500	ASTRA ADT40	29.5R25
525-991-661	WHEEL 25 17.00 3PC 12/425	BELL B20C	20.5R25
525-991-588	WHEEL 25-22.00 5PC 12/501.65	BELL B40	26.5R25
529-991-290-BY	WHEEL 29-27.00 5PC 18/500	BELL B50D	875/65R29
525.135.010	WHEEL 25-19.50 3PC 12/425	BELL DUMP TRUCK	23.5R25
525-991-527	WHEEL 25-19.50 5PC 20/515	CAT 725/730	23.5R25
525-991-848	WHEEL 25-22.00 5PC 20/515	CAT 730	26.5R25
525-991-746	WHEEL 25-24.00 5PC 20/515	CAT 730 - NON STD	750/65R25
525-991-817	WHEEL 25-22.00 5PC 20/515	CAT 730 EJECTOR TRUCK	26.5R25
525-991-634	WHEEL 25-22.00 5PC 23/515	CAT 735	26.5R25
525-991-670	WHEEL 25-22.00 5PC 24/515	CAT 735	26.5R25
525-991-795	WHEEL 25-22.00 5PC 27/515	CAT 735B	26.5R25
525-991-330	WHEEL 25-25.00 5PC 23/515	CAT 740/D400E SERIES 2	29.5R25
525-991-862	WHEEL 25-25.00 5PC 27/515 (26MM STUD HOLE)	CAT 740B	29.5R25
525-991-718	WHEEL 25-25.00 5PC 27/515	CAT 740B,745C	29.5R25
525-991-824	WHEEL 25-25.00 5PC 27/515	CAT 745C	29.5R25
529-991-292	WHEEL 29-27.00 5PC 27/515	CAT 745C	875/65R29
525-991-593	WHEEL 25-19.50 5PC 12/515	CAT D250E	23.5R25
525-991-486	WHEEL 25-17.00 5PC 20/515	CAT D25D	20.5R25
525-991-233	WHEEL 25-19.50 5PC 12/515.13	CAT D300D	23.5R25
525-991-449	WHEEL 25-22.00 5PC 20/515	CAT D350D	26.5R25
525-991-825	WHEEL 25-25.00 5PC 23/515	EMT600 MOXY FRONT WHEEL	29.5R25
525-991-295	WHEEL 25-19.50 5PC 12/425	HITACHI AH250D/AH300/BELL B25D	23.5R25
525-991-295	WHEEL 25-19.50 5PC 12/425	HITACHI AH250D/AH300/BELL B25D	23.5R25
525-991-526	WHEEL 25-22.00 5PC 12/500	HITACHI AH400	26.5R25
525-991-609	WHEEL 25-22.00 5PC 12/500	HITACHI AH400D	26.5R25
525-991-439	WHEEL 25-25.00 5PC 18/500	HITACHI AH500/BELL B50D	29.5R25
525-991-904	WHEEL 25-17.00 3PC 12/425.45	HITACHI B25E	20.5R25
525-991-905	WHEEL 25-22.00 3PC 12/425.45	HITACHI B30D	26.5R25
525-991-907	WHEEL 25-22.00 3PC 12/500	HITACHI B35D	26.5R25
525-991-908	WHEEL 25-25.00 5PC 18/500	HITACHI B40E 45E 50E	29.5R25
525-991-942	WHEEL 25-22.00 5PC 15/460	KOMATSU HM300-3	26.5R25
525-991-484	WHEEL 25-19.50 5PC 15/460	KOMATSU HM300-2	23.5R25
525-991-419	WHEEL 25-25.00 5PC 21/487	KOMATSU HM400-1 & 2	29.5R25
529-991-301	WHEEL 29-27.00 5PC 21/487	KOMATSU HM400-3	875/65R29
525-991-768	WHEEL 25-19.50 5PC 12/425	MOXY	23.5R25
525-991-784	WHEEL 25-17.00 3PC 12/425	MOXY MT31	20.5R25
525-991-840	WHEEL 25-22.00 5PC 12/425	TEREX TA300-9/10 DUMP TRUCK	26.5R25

PART NUMBER	WHEEL	MAKE & MODEL	TYRE SIZE
525-991-831	WHEEL 25-22.00 5PC 23/501.8	TEREX TA35	26.5R25
529-991-293	WHEEL 29-27.00 5PC 19/500	TEREX TA400 - 9 OR 10	875/65R29
525-991-243	WHEEL 25-19.50 5PC 12/425	VOLVO A25C/D/G/A30C/D/E/F/G	23.5R25
525-991-818	WHEEL 25-19.50 5PC 12/425	VOLVO A30C	23.5R25
525-991-856	WHEEL 25-22.00 5PC 12/425	VOLVO A30D / A30G	26.5R25
525-991-450	WHEEL 25-22.00 5PC 18/500	VOLVO A35C	26.5R25
525-991-268	WHEEL 25-25.00 5PC 18/500	VOLVO A40D/E/F/G A40S A45G	29.5R25
529-991-294	WHEEL 29-27.00 5PC 24/585	VOLVO A60H	875/65R29

PORT WHEELS

PART NUMBER	WHEEL	MAKE & MODEL	TYRE SIZE
300-990-678	RIM 25-13.00/2.5 5PC DEM	542MM BORE. REINFORCED BACK SECTION / STGD HYSTER	18.00-25
300-990-474	RIM 33-13.00/2.5 5PC RW STEP DOWN DEMOUNTABLE	HYSTER 542 BORE (0887372)	18.00-33
300-990-475	RIM 33-13.00/2.5 5PC RW STEP DOWN DEMOUNTABLE	HYSTER 546 BORE (4097444)	18.00-33
300-990-307	RIM 33-13.00/2.5 5PC	HYSTER 56E STEPDOWN DEMOUNT	18.00-25
524-991-540	WHEEL 24-10.00 4PC 12/425 TT	HYSTER H22 EMPTY CONTAINER HANDLER	14.00-24
525.134.010	WHEEL 25-11.25 5PC 12/425	KALMAR	16.00-25
300-990-680	RIM 25-13.00/2.5 5PC	KALMAR / SMV (MACHINED GUTTER)	18.00-25
TA07705	WHEEL 24-10.00 3PC 12/425 TL	KALMAR EMPTY CONTAINER HANDLER	14.00-24
525-991-777	WHEEL 25-11.25 5PC 12/425	KALMAR ESC350 STRADDLE	16.00-25
533-991-332	WHEEL 33-13.00 5PC 24/500	KALMAR ESH250HW 289 REAR OFFSET	18.00-33
525-991-627	WHEEL 25-15.00 5PC 20/500	KALMAR RTG	21.00-25
300-990-443	RIM 33-13.00/2.5 5PC	KALMAR STEPDOWN DEMOUNTABLE	18.00-25
525-991-769	WHEEL 25-11.25 3PC 12/425	LIEBHERR STRADDLE	16.00-25
525-991-881	WHEEL 25-22.00 5PC 20/420	REAR 70MSC 70T STRADDLE CARRIER	26.5R25
300-990-281	RIM 25-13.00/2.5 5PC DEM	STMD 546MM BORE. HYSTER (4139857) (1391555)	18.00-25
300-990-285	RIM 25-13.00/2.5 5PC DEM	STN (546MM BORE)	18.00-25
300-990-280	RIM 25-11.25/2.0 5PC DEM	STN HSLA STRADDLE / CONTAINER FORK	16.00-25
139-990-084	SPACER BAND 25"	KALMAR DRS4531-S5	
800-990-579	WEDGE BAND 25"	KALMAR DRS4531-S5	

GRADER WHEELS

PART NUMBER	WHEEL	MAKE & MODEL	TYRE SIZE
525-991-150	WHEEL 25-14.00 3PC 10/285.75	CAT 12/140/150/160G/H/M	17.5R25
524-991-097	WHEEL 24-8.00 3PC 10/285.76	CAT 120/130/140G	12.00R24
524-991-178	WHEEL 24-10.00 3PC 8/411.74	CAT 120M (AWD FRONT)	14.00R24
525-991-289	WHEEL 25-12.00 3PC 10/285.75	CAT 12G/H	15.5R25
524-991-069	WHEEL 24-10.00 3PC 10/285.75	CAT 12G/H 120/130/140 G/H/M	14.00R24
525-991-830	WHEEL 25-14.00 3PC 8/410	CAT 140M/150M FRONT (AWD)	17.5R25
525-991-663	WHEEL 25-14.00 3PC 8/410	CAT 143H (AWD FRONT)	17.5R25
525-991-855	WHEEL 25-14.00 3PC 8/411.74	CAT 143M AWD	17.5R25
525-991-185	WHEEL 25-17.00 3PC 10/285.75	CAT 14G/H/M	20.5R25
TA00470	WHEEL 25-19.50 5PC 10/335	CAT 16G/H/M CAT 18M	23.5R25
529-991-303	WHEEL 29-25.00 5PC 24/431.8	CAT 24, 24G/24H/24M HD	29.5R29
516-991-056	WHEEL 16.5-9.75 1PC 10/285.76	CAT MINEGRADER	12.5-16.5
525-991-159	WHEEL 25-14.00 3PC 14/304.8	JD 670/770CH/D/G (672/772 REAR)	17.5R25
524-991-070	WHEEL 24-10.00 3PC 14/304.8	JD 670D/G/770CH/D	14.00R24
525.130.010	WHEEL 25-14.00 3PC 14/304.8	JD 672	17.5R25
525-991-921	WHEEL 25-14.00 3PC 14/304.8	JD 672/772/872 D/G/GP FRONT/AWD (6WD) ONLY	17.5R25
524-991-161	WHEEL 24-10.00 3PC 14/304.8	JD 672D/772D	14.00R24
524-991-140	WHEEL 24-10.00 3PC 14/304.8	JD 772B	14.00R24
525-991-732	WHEEL 25-14.00 3PC 14/304.8	JD 772CH FRONT/AWD (6WD) ONLY	17.5R25
525-991-763	WHEEL 25-17.00/1.7 3PC 14/304.8	JD 872G/H (6WD FRONT WHEEL)	20.5R25
525-991-764	WHEEL 25-17.00/1.7 3PC 14/304.8	JD 872G/H (6WD REAR WHEEL)	20.5R25
525-991-400	WHEEL 25-14.00 3PC 10/285.76	KOMATSU GD555-1 & 3 / GD655-1-3-5	17.5R25
524-991-074	WHEEL 24-10.00 3PC 10/285.75	KOMATSU GD625A-2	14.00R24
524-991-245	WHEEL 24-10.00 3PC 10/285.75	KOMATSU GD655-3	14.00R24
524-991-201	WHEEL 24-10.00 3PC 10/285.76	KOMATSU GD655-5	14.00R24
525-991-808	WHEEL 25-14.00 3PC 10/285.75	KOMATSU GD655-5	17.5R25
525-991-445	WHEEL 25-19.50 5PC 10/335	KOMATSU GD825A/-2	23.5R25
524-991-137	WHEEL 24-10.00 3PC 10/285.76	VOLVO G930/B	14.00R24
525-991-693	WHEEL 25-14.00 3PC 10/285.75	VOLVO G940/930	17.5R25
525.112.010	WHEEL 25-14.00 3PC 10/335	VOLVO G976 FRONT	17.5R25
525-991-482	WHEEL 25-14.00 3PC 10/285.75	VOLVO G976/946 REAR	17.5R25
525-991-494	WHEEL 25-17.00 3PC 10/317.5	VOLVO G990	17.5R25

UNDERGROUND MINING WHEELS

PART NUMBER	WHEEL	MAKE & MODEL	TYRE SIZE
300-990-287	RIM 25-14.00 3PC	15SC + SF	17.5R25
300-990-246	RIM 24-10.00 3PC	15SC SPECIAL O/S + DRIVERS	14.00-24
300-990-247	RIM 24-10.00 3PC	15SC SPECIAL OFFSET + SF	14.00-24
300-990-245	RIM 24-10.00 3PC	15SC STANDARD + SF	14.00-24
300-990-248	RIM 24-10.00 3PC	15SC STANDARD + SF + DRIVERS	14.00-24
300-990-437	RIM 24-10.00 3PC	15SC STANDARD+SF RL FITMENT	14.00-24
516.499.010	WHEEL 16.5-8.25 1PC 8/275	-22 PJB 6.0 MC50500	10-16.5
516.557.010	WHEEL 16.5-8.25 1PC 8/275 VG	-22 PJB 6.0 REINFORCED BEADS	10-16.5
300-990-425	RIM 24-8.50 3PC DEMOUNTABLE	22SC + SF	12.00-24
524-991-174	RIM 24-8.50 3PC DEMOUNTABLE	22SC + SF 115MM FORFOR	12.00-24
524-991-209	RIM 24-8.50 3PC DEM KINGS KS03	22SC + SF 135MM FORFOR	12.00-24
300-990-266	RIM 24-8.50 3PC DEMOUNTABLE	22SC + SF 85MM FORFOR	12.00-24
524-991-176	RIM 24-8.50 3PC DEMOUNTABLE	22SC + SF 95MM FORFOR	12.00-24
516.764.010	WHEEL 16.5-8.25 1PC 8/275	-25 MINECRUISER MK6	10-16.5
520.439.010	WHEEL 20-8.50 2PC 12/425 VG	-27 MCLEAN CHARGE CAR	12.00-20
524.681.010	WHEEL 24-10.00 4PC 12/425	-37 ATLAS COPCO SIMBA DRILL RIG	14.00-24
516.825.010	WHEEL 16.5-9.75 3PC 8/275	-47 (A3 HOLE) PJB MK8	12-16.5
515.507.010	WHEEL 15-6.00 3PC 6/205	-7 (A2 HOLE) TAMROCK H104	7.50-15
520-990-980	WHEEL 20-6.50 2PC 6/400	7-041354-700 NOYES MK3	8.25-20
520-990-966	WHEEL 20-10.00 3PC 8/410	7-041357-700 REV A	14.00-20
520.401.010	WHEEL 20-14.00 3PC 8/275	7-041387-700 REV E	400/70-20
520-991-041	WHEEL 20-8.00 2PC 10/285.75	7-041418-700 REV C	10.00-20, 11.00-20
520.429.010	WHEEL 20-8.00 2PC 10/285.75	7-041418-700 REV D	10.00-20, 11.00-20
520-990-971	WHEEL 20-14.00 3PC 10/285.76	7-041563-700 REV C (TUBE TYPE)	400/70-20
525-991-103	WHEEL 25-11.25 5PC 12/425	7-041749-700 LWC 40T	16.00-25
525-991-104	WHEEL 25-11.25 5PC 24/425	7-041886-700 LWC 50T	16.00-25
520.428.010	WHEEL 20-14.00 3PC 10/285.76	7-045274-700 REV A (TUBELESS) WHITE	400/70-20
525-991-711	WHEEL 25-11.25 5PC 24/425	7-045326-700 REV B LWC 6WD 50T	16.00-25
533-991-304	WHEEL 33-13.00 5PC 24/425	7-181305-721 LWC 55T	18.00R33
533-991-335	WHEEL 33-13.00 5PC 24/425	7-181305-721 REV D LWC 55 & 70T	18.00R33
533-991-311	WHEEL 33-13.00 5PC 24/425 NOSL	7-181305-722 REV D LWC 80T	18.00R33
520-991-239	WHEEL 20-10.00 3PC 20/380.24	7-181305-723 REV A LWC 80T	14.00-20
520-991-272	WHEEL 20-10.00 4PC 8/410	7-181305-724 REV A LWC 80T HD	14.00-20
525-991-690	WHEEL 25-14.00 3PC 24/500	7-181305-729 REV A	17.5R25
520-991-279	WHEEL 20-10.00 4PC 16/410	7-181305-732 REV A LWC 80T HD	14.00-20
533-991-321	WHEEL 33-15.00 5PC 24/425	7-181305-733 LWC 105T	21.00R33
516.136.010	WHEEL 16.5-9.75 1PC 8/275	-76.5 SMV MK4	12-16.5
516.560.010	WHEEL 16.5-8.25 1PC 8/275	-77.5 SMV MK3 REINFORCED BEADS	10-16.5
529-991-283	WHEEL 29-25.00 5PC 24/580	AD40	29.5R29

PART NUMBER	WHEEL	MAKE & MODEL	TYRE SIZE
529-991-280	WHEEL 29-25.00 5PC 36/582	AD45/B	29.5R29
533-991-299	WHEEL 33-28.00 5PC 38/692.98	AD55 / AD60 RW/EV GROOVE STYLE	35/65R33
524.549.010	WHEEL 24-10.00 4PC 12/425	ATLAS COPCO E2C	14.00-24
525-991-592	WHEEL 25-11.25 5PC 23/495.6	ATLAS COPCO MT2010	16.00-25
525-991-599	WHEEL 25-17.00 5PC 23/495.6	ATLAS COPCO MT2010	20.5R25
520-991-228	WHEEL 20-8.00 2PC 10/335	ATLAS COPCO ROCKET BOOMER M2D	10.00-20, 11.00-20
525-991-707	WHEEL 25-22.00 5PC 30/500	ATLAS COPCO ST14 SCOOP TRAM	26.5R25
525-991-608	WHEEL 25-25.00 5PC 32/508	ATLAS COPCO ST1520	29.5R25
529-990-008	WHEEL 29-25.00 5PC 32/508	ATLAS COPCO ST1520	29.5R29
525-991-504	WHEEL 25-14.00 3PC 23/504	ATLAS COPCO ST710	17.5R25
520-991-262	WHEEL 20-8.00 2PC 10/335	ATLAS JUMBO DRILL RIG	10.00-20, 11.00-20
520-991-185	WHEEL 20-8.50 2PC 10/335	ATLAS JUMBO DRILL RIG	12.00-20
524-991-203	WHEEL 24-8.50 3PC 10/335	ATLAS JUMBO M2D	12.00-24
524.550.010	WHEEL 24-8.50 4PC 10/335	ATLAS JUMBO M2D	12.00-24
533-991-310	WHEEL 33-28.00 5TM/EM 5PC 38/605 KESSLER D111 AXLE	ATMT5010/6020SVIKTH551/663MT65	35/65R33
524-991-171	WHEEL 24-10.00 4PC 12/425	AXERA T08	14.00-24
520.374.010	WHEEL 20-13.00 3PC 10/335	BRUMBY	18.00-20
520-991-227	WHEEL 20-8.50 2PC 10/335	BRUMBY WHEEL	12.00-20
537-991-002	WHEEL 37-25.00 38/605	BUCYRUS (#1622871)	MOULDED RUBBER
525-991-649	WHEEL 25-14.00 3PC 19/511.16	BYRNCUT MARINERS	17.5R25
524-991-175	WHEEL 24-10.00 3PC 12/425	CABOLTER	14.00-24
540-991-003	WHEEL 40-20.00 33/508 (36 HOLE PATTERN)	CAT FBL LOADER SETCO # SA66902	MOULDED RUBBER
516-991-056	WHEEL 16.5-9.75 1PC 10/285.76	CAT MINEGRADER	12-16.5
537-991-005	WHEEL 37-25.00 33/508	CAT SH60 - BUCYRUS	MOULDED RUBBER
537-991-003	WHEEL 37-18.00 30/500 WITH CHAIN GUARD	CAT SH640 - BUCYRUS	MOULDED RUBBER
TA07505	WHEEL 37-18.00 30/500 WITH CHAIN GUARD	CAT SH640 W 14MM CHAIN FITTED	MOULDED RUBBER
537-991-007	WHEEL 40-25.00 38/605	CAT SH660 (28X54) SETCO SERIAL NO: SA53194W	MOULDED RUBBER
525-991-576	WHEEL 25-17.00 3PC 23/501.65	CT10 COAL TRAM + SUPPORT RING	20.5R25
525-991-816	WHEEL 25-17.00 5PC 23/501.6	CT10 COAL TRAM	20.5R25
525-991-401	WHEEL 25-14.00 3PC 23/501.65	CT10 COAL TRAM 5520000540	17.5R25
525-991-459	WHEEL 25-17.00 5PC 19/511.2	CT13 COAL TRAM	20.5R25
525-991-616	WHEEL 25-14.00 5PC 20/511.16	DANA AXLE 150 MM FORFOC	17.5R25
525-991-196	WHEEL 25-17.00 5PC 19/511	DANA AXLE DBT FBL15 500109	20.5R25
524-991-211	WHEEL 24-10.00 4PC 12/425	DANA NDE AXLE MACLEAN ENGINEERING	14.00-24
525.136.010	WHEEL 25-14.00 3PC 24/500	DBT 4262316 (CL210B)	17.5R25
525-991-581	WHEEL 25-14.00 3PC 12/425	DBT COMPAC LOADER	17.5R25
524-991-169	WHEEL 24-10.00 3PC 10/335	DBT COMPAC LOADER MK2	14.00-24
525-991-590	WHEEL 25-17.00 5PC 20/511	DBT FBL SPECIAL	20.5R25
525-991-168	WHEEL 25-14.00 3PC 20/511	DBT FBL10 503582 (CL210)	17.5R25

UNDERGROUND MINING WHEELS

PART NUMBER	WHEEL	MAKE & MODEL	TYRE SIZE
525-991-169	WHEEL 25-14.00 5PC 19/511	DBT FBR15 506273 (FH125D)	17.5R25
525.117.010	WHEEL 25-17.00 5PC 19/511	DBT FBR15 511015	20.5R25
520-991-165	WHEEL 20-10.00 3PC 10/335	DOM GRADER	14.00-20
520-990-978	WHEEL 20-6.50 2PC 8/203.2	DOMINO	9.00-20
520-991-149	WHEEL 20-8.00 3PC 10/285.75	DRIFTRUNNER	10.00-20, 11.00-20
524-991-063	WHEEL 24-10.00 3PC 10/335	DUAL 49	14.00-24
520-991-220	WHEEL 20-8.50 2PC 12/400	DUAL 65MM	12.00-20
525-991-705	WHEEL 25-14.00 3PC 10/511.175	EIMCO 913 8" FORFOC	17.5R25
525-991-131	WHEEL 25-14.00 3PC 10/511.175	EIMCO 913 LOADER	17.5R25
525-991-134	WHEEL 25-14.00 3PC 10/511.175	EIMCO 913 LOADER W/TRAC	17.5R25
525-991-697	WHEEL 25-12.00 3PC 19/533.4	EIMCO 913 OLD (912)	15.5R25
525-991-138	WHEEL 25-14.00 3PC 19/511.175	EIMCO 913/130 MULTIFIT	17.5R25
525-991-288	WHEEL 25-14.00 3PC 19/511.175	EIMCO 913/130 MULTIFIT W/TRAC	17.5R25
525-991-548	WHEEL 25-17.00 3PC 19/511.175	EIMCO A2U130/913-6 MULTIFIT	20.5R25
520-991-250	WHEEL 20-7.00 2PC 12/400	EIMCO A2U921-371050	10.00-20
TA05874	WHEEL 25-14.00 3PC 19/511.175 PRIMER	EIMCO ED10 A2U220-371084 LS190	17.5R25
525-991-515	WHEEL 25-14.00 3PC 12/425	EIMCO ED5 A2U900-372121 LS151	17.5R25
525-991-135	WHEEL 25-14.00 3PC 19/511.175	EIMCO ED7 (USE TA05873)	17.5R25
525-991-136	WHEEL 25-14.00 3PC 19/511.175	EIMCO ED7 A2U130-371043 + SF	17.5R25
525-991-299	WHEEL 25-14.00 3PC 19/511.175	EIMCO ED7 A2U130-371043 LS170	17.5R25
525-991-305	WHEEL 25-14.00 3PC 19/511.175	EIMCO ED7 A2U130-371097 W/TRAC	17.5R25
525-991-773	WHEEL 25-17.00 3PC 19/511.175	EIMCO SPECIAL	20.5R25
525-991-780	WHEEL 25-17.00 3PC 19/511.175	EIMCO SPECIAL W/TRAC	20.5R25
525-991-350	WHEEL 25-14.00 5PC 16/515	ELPHINSTONE R1300/G	17.5R25
525-991-128	WHEEL 25-13.00 5PC 20/515	ELPHINSTONE R1500/R1600	18.00-25
529-990-018	WHEEL 29-25.00 5PC 36/597.6	ELPHINSTONE R2900G	29.5R29
524-991-542	WHEEL 24-8.50 3PC 12/425	EPIROC M2C BOOMER	12.00-24
520-991-197	WHEEL 20-14.00 3PC 10/285.76	GRADER	400/70-20
520-991-246	WHEEL 20-14.00 3PC 8/275	GRADER	400/70-20
520-991-233	WHEEL 20-8.00 2PC 10/335	JACON MAXI TRANS S/P	10.00-20, 11.00-20
520-991-159	WHEEL 20-8.00 2PC 8/275	JACON MAXIJET	10.00-20, 11.00-20
520-991-181	WHEEL 20-8.50 2PC 10/335	JACON TRANSMIX	12.00-20
300-990-290	RIM 25-14.00 3PC	JOY 00579947 14 BOLT 15SC	17.5R25
300-990-255	RIM 24-10.00 2PC	JOY 100165373 (BOLT TOGETHER)	14.00-24
524-991-072	WHEEL 24-10.00 3PC 14/546.1	JOY 100235411 10SC32	14.00-24
525-991-657	WHEEL 25-13.00 3PC 16/511.2 RL FITMENT	JOY 100362585 10SC32D RL FITMENT	18.00-25
525-991-751	WHEEL 25-13.00 3PC 16/511.2	JOY 100488526 10SC32D	18.00-25
525-991-580	WHEEL 25-14.00 3PC 14/546.1	JOY 100597057 10SC42 HD	17.5R25
525-991-796	WHEEL 25-14.00 3PC 14/546.1 RL FITMENT	JOY 100597057 10SC42 HD RL FITMENT	17.5R25

PART NUMBER	WHEEL	MAKE & MODEL	TYRE SIZE
525-991-721	WHEEL 25-14.00 3PC 14/546.1	JOY 100764503 10SC42 HD BLOCKS	17.5R25
520-990-999	WHEEL 20-7.50 2PC 19/445	JOY 10SC	10.00-20
520-991-177	WHEEL 20-7.50 2PC 19/445	JOY 10SC SPECIAL	10.00-20
525-991-538	RIM 25-14.00 3PC	JOY 15SC + SF 14 BOLT (GREGS)	17.5R25
525-991-604	WHEEL 25-14.00 3PC 14/546.1	JOY HD 125 FRNT NO GUSET/BLOCK	17.5R25
525-991-660	WHEEL 25-14.00 3PC 24/500	JUG KESSLER AXLE 150 FORFOC	17.5R25
525-991-648	WHEEL 25-14.00 5PC 24/500	JUG KESSLER AXLE 215 FORFOC	17.5R25
525-991-425	WHEEL 25-14.00 3PC 20/511.16	JUG V SERIES (150)	17.5R25
525.114.010	WHEEL 25-14.00 3PC 24/500	JUG Z SERIES 175 (12T)	17.5R25
525.113.010	WHEEL 25-14.00 3PC 23/500	JUG Z SERIES 265 (10T)	17.5R25
525-991-610	WHEEL 25-17.00 5PC 24/500	KESSLER AXLE DBT FBL15 933612 (CL215)	20.5R25
529-990-013	WHEEL 29-25.00 5PC 38/605	LHD 517 KESSLER	29.5R29
529-990-019	WHEEL 29-25.00 5PC 38/605	LHD ST18	29.5R29
525-991-736	WHEEL 25-13.00 5PC 24/425	LWC 50T	18.00-25
516-991-076	WHEEL 16.5-8.25 3PC 8/275	MINECRUISER MK7	10-16.5
520-991-172	WHEEL 20-8.00 3PC 10/335	MINIMATIC 206D	10.00-20, 11.00-20
520-991-170	WHEEL 20-6.50 2PC 6/400	MPV	8.25-20
533-090-001	WHEEL 33-28.00 5PC 38/609.6	MT5010/6020 (DANA AXLE)	35/65R33
520.398.010	WHEEL 20-8.00 3PC 18/419.1	NARCO SHUTTLECAR	10.00-20, 11.00-20
520-991-150	WHEEL 20-10.00 3PC 18/445	NARCO SHUTTLECAR + SF	14.00-20
520-991-180	WHEEL 20-8.00 2PC 8/275	NORMET	10.00-20, 11.00-20
524-991-179	WHEEL 24-10.00 3PC 10/335	NORMET	14.00-24
520-991-097	WHEEL 20-7.50 2PC 8/275	NORMET CHARMEC	10.00-20
524-991-259	WHEEL 24-10.00 4PC 10/335	NORMET LF700 FRONT	14.00-24
524-991-260	WHEEL 24-10.00 4PC 12/425	NORMET LF700 REAR	14.00-24
300-990-218	RIM 20-6.50 2PC DEMOUNTABLE	NOYES MK1	8.25-20
524-991-093	WHEEL 24-8.50 3PC 8/203.2	NOYES MK1	12.00-24
524-991-095	WHEEL 24-8.50 2PC	NOYES MK3 70413217	12.00-24
520-991-248	WHEEL 20-8.00 3PC 10/275	PJB	10.00-20, 11.00-20
516-990-086	WHEEL 16.5-8.25 1PC 8/275	PJB + 1 RING MC13091	10-16.5
516-990-087	WHEEL 16.5-8.25 1PC 8/275	PJB + 2 RING	10-16.5
525-991-585	WHEEL 25-14.00 5PC 16/515	R1300 CHAIN O/S *	17.5R25
525-991-256	WHEEL 25-22.00 5PC 23/482.6	R1700/SERIES II	26.5R25
525-991-363	WHEEL 25-22.00 5PC 26/485 (+80MM)	R1700G/AD30 CHAIN FITMENT	26.5R25
525-991-883	WHEEL 25-22.00 5PC 26/485(+70MM)	R1700G/AD30 CHAIN FITMENT DUAL DRIVER	26.5R25
525-991-317	WHEEL 25-22.00 5PC 26/485	R1700G/K AD30	26.5R25
529-990-003	WHEEL 29-25.00 5PC 36/597.6	R2900 CHAIN FITMENT	29.5R29
529-991-284	WHEEL 29-25.00 5PC 36/597.6	R2900/G	29.5R29
533-991-309	WHEEL 33-28.00 5PC 36/597.6	R2900G ELPINSTONE	35/65R33

UNDERGROUND MINING WHEELS

PART NUMBER	WHEEL	MAKE & MODEL	TYRE SIZE
533-991-320	WHEEL 33-28.00 5PC EV 36/597.6	R2900G/XTRA/R3000H - EV STYLE (OEM)	35/65R33
524-991-177	RIM 24-10.00 3PC + DRIVER	RAMCAR RIM + SF	14.00-24
524-991-210	WHEEL 24-8.50 4PC 12/425	ROCKET BOOMER M2D	12.00-24
525.131.010	WHEEL 25-14.00 3PC 19/511.175	SANDVIK A2U900-371084 LS190	17.5R25
516.518.010	WHEEL 16.5-8.25 1PC 5/160	SANDVIK COMMANDO 120	10-16.5
524-991-207	WHEEL 24-10.00 3PC 10/335	SANDVIK DD421	14.00-24
524-991-208	WHEEL 24-10.00 3PC 10/335	SANDVIK DD421 - 20MM CENTRE	14.00-24
524-991-192	WHEEL 24-10.00 3PC 19/511.175	SANDVIK EJC417	14.00-24
525-991-842	WHEEL 25-22.00 5PC 30/500	SANDVIK LH514	26.5R25
533-991-314	WHEEL 33-28.00 5PC EM 38/605	SANDVIK LH621 (56208533)	35/65R33
533-991-324	WHEEL 33-28.00 5PC EM 38/605 CHAIN OFFSET	SANDVIK LH621 (56208533)	35/65R33
520-991-231	WHEEL 20-8.50 2PC 10/335	SANDVIK SOLO 7-7V DRILL RIG	12.00-20
525-090-001	WHEEL 25-14.00 3PC 21/420	SANDVIK TC791 SHUTTLE CAR	17.5R25
525-991-909	WHEEL 25-25.00 5PC 30/500	SANDVIK TH545 # 56208238	29.5R25
533-991-325	WHEEL 33-28.00 5TM/EM 5PC 38/605	SANDVIK TH551 USE 533-991-310	35/65R33
533-991-326	WHEEL 33-28.00 W/EV 5PC 38/605	SANDVIK TH663 (POST APRIL 2017 NEW)	35/65R33
537-991-001	WHEEL 37-25.00 33/508	SH630 SPECIAL BUCYRUS	MOULDED RUBBER
515-991-078	WHEEL 15-6.50 2PC 8/275	SIMBA	7.50-15
516.651.010	WHEEL 16.5-9.75 3PC 8/275	SMK4	12-16.5
520-991-269	WHEEL 20-8.00 10/335	SMV BRUMBY	10.00-20, 11.00-20
516-990-964	WHEEL 16.5-8.25 1PC 6/205	SMV MK1	10-16.5
516-990-104	WHEEL 16.5-8.25 1PC 6/205	SMV MK1 + 1 RING	10-16.5
516-990-105	WHEEL 16.5-8.25 1PC 6/205	SMV MK1 + 2 RING	10-16.5
516-990-967	WHEEL 16.5-8.25 1PC 6/205	SMV MK2	10-16.5
516-990-968	WHEEL 16.5-8.25 1PC 6/205	SMV MK2 + 1 RING	10-16.5
516-990-106	WHEEL 16.5-8.25 1PC 6/205	SMV MK2 + 2 RING	10-16.5
516.086.010	WHEEL 16.5-8.25 1PC 8/275	SMV MK3	10-16.5
516-990-107	WHEEL 16.5-8.25 1PC 8/275 VG	SMV MK3 + 2 RING	10-16.5
516-990-141	WHEEL 16.5-9.75 1PC 8/275 VG	SMV MK4 + 2 RINGS	12-16.5
520-991-214	WHEEL 20-8.00 3PC 10/335	TAMROCK	10.00-20, 11.00-20
533-991-297	WHEEL 33-28.00 5PC 32/695	TAMROCK 0011/T11/TORO 621	35/65R33
520-991-138	WHEEL 20-8.00 2PC 10/335	TAMROCK AXERA D07/DD420-260	10.00-20, 11.00-20
520-991-206	WHEEL 20-8.50 2PC 12/278	TAMROCK D06 73101558/20850628	12.00-20
520-991-232	WHEEL 20-8.50 2PC 10/335	TAMROCK DATA SOLO 1020	12.00-20
524-991-168	WHEEL 24-10.00 4PC 12/420	TAMROCK RC300 CABOLTER	14.00-24
520-991-261	WHEEL 20-8.00 2PC 10/335	TAMROCK SOLO DL420	10.00-20, 11.00-20
520-991-155	WHEEL 20-8.50 2PC 8/203.2	TAMROCK SOLO D05	12.00-20
525-991-871	WHEEL 25-25.00 5PC 32/508	TH550 HAULTRACK RIM	29.5R25
525-991-464	WHEEL 25-22.00 5PC 32/508	TORO 1400 CHAIN OFFSET	26.5R25

PART NUMBER	WHEEL	MAKE & MODEL	TYRE SIZE
525-991-368	WHEEL 25-22.00 5PC 32/508	TORO 1400/60D 3JB	26.5R25
520-991-157	WHEEL 20-8.50 3PC 12/400 VG	TORO 151	12.00-20
520.553.010	WHEEL 20-8.50 2PC 12/400 VG	TORO 151 (ALTERNATIVE 520-991-157)	12.00-20
525-991-257	WHEEL 25-22.00 5PC 25/495.3	TORO 35D/40D 3 JACK BLOCKS	26.5R25
525-991-258	WHEEL 25-22.00 5PC 27/495.3	TORO 40D 4 JACK BLOCKS	26.5R25
525-991-259	WHEEL 25-22.00 5PC 27/495.3	TORO 450E 4 JACK BLOCKS	26.5R25
525-991-598	WHEEL 25-22.00 5PC 32/508	TORO 50D	26.5R25
525-991-671	WHEEL 25-22.00 5PC 30/500	TORO 514D+SPIN TABS (56031487)	26.5R25
TA01348	WHEEL 25-25.00 3PC 30/500	TORO 514E (56031488)	29.5R25
525.132.010	WHEEL 25-25.00 5PC 30/500	TORO 514E + PROTECTION RING	29.5R25
525-991-639	WHEEL 25-25.00 5PC 30/500	TORO 514E+SPIN TABS	29.5R25
529-990-012	WHEEL 29-25.00 5PC 32/508	TORO 650D/0010 SPECCIAL OFFSET	29.5R29
529-990-001	WHEEL 29-25.00 5PC 32/508	TORO 650D/0010/LH517	29.5R29
525-991-615	WHEEL 25-22.00 5PC 32/508	TORO T9	26.5R25
525-991-828	WHEEL 25-14.00 3PC 24-500	TORQUE LOADER	17.5R25
525-991-496	WHEEL 25-14.00 3PC 23/504	WAGNER 710	17.5R25
525-991-685	WHEEL 25-22.00 5PC 23/495.3	WAGNER MT436B	26.5R25
525-991-603	WHEEL 25-22.00 5PC 23/495.3	WAGNER ST7.5	26.5R25
300-990-442	RIM 24-10.00 3PC	WARACAR + SF RL FITMENT	14.00-24
300-990-482	RIM 24-10.00 3PC	WARACAR R24 +SF (1033409)	14.00-24
525-991-645	WHEEL 25-14.00 3PC 14/545	WARACAR R25 HD REV C (STD 505)	17.5R25
525-991-645T	WHEEL 25-14.00 3PC 14/545	WARACAR R25 HD REV C (STD 505) M24	17.5R25

The logo for OTR, featuring the letters 'OTR' in a bold, white, sans-serif font. The 'O' is a solid white circle, while the 'T' and 'R' have a stylized, slightly irregular appearance with some internal cutouts or shadows.

MADE IN AUSTRALIA

WHEELS BY MACHINE

This catalogue is intended as a guide to cover the range of products supplied by OTR - Tyre Wheels Axles. Please contact our National Customer Service Centre 1300 CALL OTR for a current list price. All goods sold by OTR - Tyre Wheels Axles are covered by manufacturer's warranty.

Whilst all efforts have been made to publish this document with respect to accuracy supplied by manufacturers of products, OTR - Tyre Wheels Axles accepts no responsibility for claims resulting from information provided herein. All sales are covered by OTR - Tyre Wheels Axles Conditions of Sales and Credit Terms.

It is the responsibility of the purchaser to check all goods supplied by OTR - Tyre Wheels Axles at time of delivery. Errors in delivery must be reported to OTR - Tyre Wheels Axles Customer Service Department within 24 hours of receipt and any incorrect deliveries at the fault of OTR - Tyre Wheels Axles will be replaced by OTR - Tyre Wheels Axles without cost to the Dealer.

All goods returned outside these parameters shall be subject to a 10% surcharge and freight for returned goods shall be at the purchaser's cost. OTR - Tyre Wheels Axles return procedure must be followed otherwise goods will not be accepted.



CATERPILLAR WHEELS

PART NUMBER	WHEEL	MAKE & MODEL	TYRE SIZE
525-991-794	WHEEL 22.00-25 5PC 20-375	CAT 966F	26.5R25
524-991-165	WHEEL 24-10.00 3PC 10/285.75	CAT 12M/120M (USE 524-991-069)	14.00-24
524-991-069	WHEEL 24-10.00 3PC 10/285.75	CAT 12G/H 120/130/140 G/H/M	14.00-24
524-991-067	WHEEL 24-10.00 3PC 10/285.75	CAT 120G/120H	14.00-24
140-990-353	WHEEL 24-10.00 3PC 10/285.75	CAT 140G 10.00-24 REFURBISHED	14.00-24
524-991-069	WHEEL 24-10.00 3PC 10/285.75	CAT 120/130/140 G/H/M	14.00-24
524-991-178	WHEEL 24-10.00 3PC 8/411.74	CAT 120M (AWD FRONT)	14.00-24
524-991-157	WHEEL 24-10.00 3PC 8/457.2	CAT 920/G	14.00-24
525-991-786	WHEEL 24-10.00 3PC 8/457.2	CAT 910	14.00-24
524.525.010	WHEEL 24-14W 1PC 8/275 VG	CAT TH406/TH407	15.5/80-24
524-991-097	WHEEL 24-8.00 3PC 10/285.76	CAT 120/130/140G	10.00-24
525-991-534	WHEEL 25-11.25 5PC 16/335	CAT AH46	16.00-25
525.127.010	WHEEL 25-12.00 1PC 8/275	CAT TH414	15.5R25
525-991-843	WHEEL 25-12.00 3PC 10/200.4	CAT IT12B	15.5R25
525-991-289	WHEEL 25-12.00 3PC 10/285.75	CAT 12G/H	15.5R25
525-991-316	WHEEL 25-12.00 3PC 8/457.2	CAT 920	15.5R25
525-991-652	WHEEL 25-12.00 3PC 8/457.2	CAT 910	15.5R25
525-991-146	WHEEL 25-14.00 3PC 10/285.75	CAT 140G/H 160G/H (MAN)	17.5R25
525-991-150	WHEEL 25-14.00 3PC 10/285.75	CAT 12/140/150/160G/H/M	17.5R25
140-990-226	WHEEL 25-14.00 3PC 10/285.75	CAT 140H	17.5R25
140-990-315	WHEEL 25-14.00 3PC 10/285.75	CAT 12M	17.5R25
525-991-150	WHEEL 25-14.00 3PC 10/285.75	CAT 12/140/150/160G/H/M	17.5R25
525.164.010	WHEEL 25-14.00 3PC 10/335	CAT 528	17.5R25
525-991-149	WHEEL 25-14.00 3PC 10/458	CAT IT28/B	17.5R25
525-991-525	WHEEL 25-14.00 3PC 10/458	CAT 926/926E	17.5R25
525-991-546	WHEEL 25-14.00 3PC 10/458	CAT IT18/B	17.5R25
525-991-729	WHEEL 25-14.00 3PC 10/458	CAT 936E 51-49126-95	17.5R25
525-991-509	WHEEL 25-14.00 3PC 10/458	CAT IT28B	17.5R25
525-991-502	WHEEL 25-14.00 3PC 10/501.6	CAT 930	17.5R25
525-991-614	WHEEL 25-14.00 3PC 12/513.08	CAT 950	17.5R25
525-991-589	WHEEL 25-14.00 3PC 16/250	CAT 924G/H	17.5R25
525-991-619	WHEEL 25-14.00 3PC 16/250	CAT 930G/H	17.5R25
525-991-489	WHEEL 25-14.00 3PC 16/250	CAT 928F	17.5R25
525-991-545	WHEEL 25-14.00 3PC 16/250	CAT IT24	17.5R25
525-991-283	WHEEL 25-14.00 3PC 16/250	CAT IT28F/G	17.5R25
140-990-227	WHEEL 25-14.00 3PC 16/250	CAT 930G	17.5R25
525-991-539	WHEEL 25-14.00 3PC 16/250	CAT 918F	17.5R25
525-991-147	WHEEL 25-14.00 3PC 8/200	CAT 914G	17.5R25
525-991-148	WHEEL 25-14.00 3PC 8/200	CAT IT14G	17.5R25

PART NUMBER	WHEEL	MAKE & MODEL	TYRE SIZE
525-991-830	WHEEL 25-14.00 3PC 8/410	CAT 140M/150M FRONT (AWD)	17.5R25
525-991-663	WHEEL 25-14.00 3PC 8/410	CAT 143H (AWD FRONT)	17.5R25
525-991-855	WHEEL 25-14.00 3PC 8/411.74	CAT 143M AWD	17.5R25
525-991-185	WHEEL 25-17.00 3PC 10/285.75	CAT 14G/H/M	20.5R25
525-991-642	WHEEL 25-17.00 3PC 12/515	CAT 936	20.5R25
525-991-188	WHEEL 25-17.00 3PC 16/250	CAT 924GZ, CAT 928/930F/G/H (F+225MM)	20.5R25
525-991-302	WHEEL 25-17.00 3PC 16/250	CAT 928/930F/G/H, IT28/B (F+175MM)	20.5R25
525-991-863	WHEEL 25-17.00 3PC 16/250	CAT 930K (F+210MM) (357-8878)	20.5R25
525-991-878	WHEEL 25-17.00 3PC 16/250	CAT 924K (F+247MM)	20.5R25
525-991-190	WHEEL 25-17.00 3PC 16/275	CAT 938F/G-IT38/G	20.5R25
525-991-723	WHEEL 25-17.00 3PC 16/285	CAT 938H/CAT IT38H	20.5R25
525-991-753D	WHEEL 25-17.00 3PC 16/425	CAT 938K WITH DRIVER	20.5R25
525-991-596	WHEEL 25-17.00 3PC 16/515	CAT 950B	20.5R25
525-991-846	WHEEL 25-17.00 5PC 16/250	CAT 924H	20.5R25
525-991-783	WHEEL 25-17.00 5PC 16/275	CAT 938G / IT38G	20.5R25
525-991-486	WHEEL 25-17.00 5PC 20/515	CAT D25D	20.5R25
525-991-595	WHEEL 25-19.50 5PC 8/203.2	CAT CP-663E	23.5R25
525-991-227	WHEEL 25-19.50 5PC 10/335	CAT 16G/H/M (MAN)	23.5R25
525-991-653	WHEEL 25-19.50 5PC 10/335	CAT CS-563E	23.5R25
TA00470	WHEEL 25-19.50 5PC 10/335	CAT 16G/H/M CAT 18M	23.5R25
525-991-933	WHEEL 25-19.50 5PC 12/422.275	CAT NSS250	23.5R25
525-991-593	WHEEL 25-19.50 5PC 12/515	CAT D250E	23.5R25
525-991-233	WHEEL 25-19.50 5PC 12/515.13	CAT D300D	23.5R25
525-991-770	WHEEL 25-19.50 5PC 16/400	CAT RM300	23.5R25
525-991-506	WHEEL 25-19.50 5PC 16/515	CAT 950B/E	23.5R25
525-991-421	WHEEL 25-19.50 5PC 20/310	CAT 950G/H/M /952/962H/IT62G/H	23.5R25
525-991-797	WHEEL 25-19.50 5PC 20/310	CAT 962K	23.5R25
525-991-551	WHEEL 25-19.50 5PC 20/375	CAT 966D/E/F	23.5R25
525-991-527	WHEEL 25-19.50 5PC 20/515	CAT 725/730	23.5R25
525-991-377	WHEEL 25-19.50 5PC 20/515	CAT 966D/E/F	23.5R25
525-991-607	WHEEL 25-19.50 5PC 8/203.2 REV	CAT CP-663E REVERSE FITMENT	23.5R25
525-991-683	WHEEL 25-22.00 5PC 10/511.175	CAT TRACTOR	26.5R25
525-991-510	WHEEL 25-22.00 5PC 20/310	CAT 525B	26.5R25
525-991-415	WHEEL 25-22.00 5PC 20/375	CAT 966G/H/M/ 972G/H/M	26.5R25
525-991-391	WHEEL 25-22.00 5PC 20/515	CAT 966D/E/F	26.5R25
525-991-449	WHEEL 25-22.00 5PC 20/515	CAT D350D	26.5R25
525-991-817	WHEEL 25-22.00 5PC 20/515	CAT 730 EJECTOR TRUCK (225-2851)	26.5R25
525-991-848	WHEEL 25-22.00 5PC 20/515	CAT 730	26.5R25
525-991-889	WHEEL 25-22.00 5PC 20/515	CAT 615C	26.5R25

CATERPILLAR WHEELS

PART NUMBER	WHEEL	MAKE & MODEL	TYRE SIZE
525-991-827	WHEEL 25-22.00 5PC 20-310	CAT 950M LOADER	26.5R25
525-991-369	WHEEL 25-22.00 5PC 23/482.6	CAT 980B/C/F	26.5R25
525-991-251	WHEEL 25-22.00 5PC 23/482.6	CAT 980C	26.5R25
525-991-618	WHEEL 25-22.00 5PC 23/482.6	CAT 980F SPECIAL OFFSET	26.5R25
525-991-634	WHEEL 25-22.00 5PC 23/515	CAT 735 (24 HOLE SPACING)	26.5R25
525-991-832	WHEEL 25-22.00 5PC 24/455	CAT RM500B	26.5R25
525-991-670	WHEEL 25-22.00 5PC 24/515	CAT 735 (28 HOLE SPACING)	26.5R25
525-991-795	WHEEL 25-22.00 5PC 27/515	CAT 735B	26.5R25
525-991-872	WHEEL 25-25.00 5PC 20/515	CAT 615C	29.5R25
525-991-673	WHEEL 25-25.00 5PC 23/482.6	CAT 980B/C/F	29.5R25
525-991-330	WHEEL 25-25.00 5PC 23/515	CAT 740/D400E SERIES 2	29.5R25
525-991-307	WHEEL 25-25.00 5PC 26/485	CAT 980G/H/K/L/M 824H	29.5R25
525-991-307S	WHEEL 25-25.00 5PC 26/485	CAT 980G WITH SURLOC	29.5R25
525-991-718	WHEEL 25-25.00 5PC 27/515	CAT 740B,745C CAT367-3091,3093	29.5R25
525-991-824	WHEEL 25-25.00 5PC 27/515	CAT 745C	29.5R25
525-991-862	WHEEL 25-25.00 5PC 27/515[26MM]	CAT 740B (CAT#419-8198 OR 515-2501)	29.5R25
526.360.010	WHEEL 26-16DW 1PC 10/335 VG	CAT 428E/432E/F	18.4-26
526-990-308	WHEEL 26-20DW 1PC 10/335	CAT CS563E	23.1-26
526.437.010	WHEEL 26-20DW 1PC 12/425 VG	CAT CS663E	23.1-26
526.258.010	WHEEL 26-20DW 1PC 8/203.2	CAT CP-563C ROLLER	23.1-26
528-991-015	WHEEL 28-15W 1PC 10/335	CAT 428E - 432F	16.9-28
528-991-007	WHEEL 28-15W 1PC 10/335	CAT 438C	16.9-28
528-991-013	WHEEL 28-15W 1PC 10/335 VG	CAT 430E/432E/442E/444E	16.9-28
528.136.010	WHEEL 28-15W 1PC 8/203.2	CAT 416-432 BCD	16.9-28
529-991-296	WHEEL 29-25.00 5PC 32/582	CAT 982M	29.5R29
529-991-303	WHEEL 29-25.00 5PC 24/431.8	CAT 24, 24G/24H/24M HD	29.5R29
529-991-292	WHEEL 29-27.00 5PC 27/515	CAT 745C	33.25R29
529-991-295	WHEEL 29-27.00 5PC 32/582	CAT 982M	33.25R29
533-991-290	WHEEL 33-13.00 5PC 12/660.4	CAT 769, 770, 771,772 B/C/D/G	18.00R33
533-991-340	WHEEL 33-15.00/3.0 12/660.4	CAT 772G (264-3169)	18.00R33
533-991-301	WHEEL 33-28.00 5PC 38/692.98	CAT 988G/H/K 5TM / 38MM DISC	35/65R33
533-991-337	WHEEL 33-28.00 5PC 38/692.98	CAT 988G/H/K 5TM / 51MM DISC	35/65R33
533-991-296	WHEEL 33-28.00 5PC 40/705	CAT 988B/C/F CAT834B	35/65R33
533-991-322	WHEEL 33-28.00 5PC 40/705	CAT 988F SPECIAL OFFSET	35/65R33
535-991-298	WHEEL 35-15.00 5PC	CAT 773A, B/C P/N 6G-1676 7D-2840	21.00R35
535-991-304	WHEEL 35-15.00 5PC	CAT V925	21.00R35
TA01848	WHEEL 35-17.00 5PC	CAT 773B-G 775D-G (361-3181)	24.00R35
535-991-294	WHEEL 35-17.00 5PC USE TA01848	CAT 773B/C/D/E-775D/F	24.00R35
537-991-003	WHEEL 37-18.00 30/500 WITH CHAIN GUARD	CAT SH640 - BUCYRUS	MOULDED RUBBER

PART NUMBER	WHEEL	MAKE & MODEL	TYRE SIZE
537-991-005	WHEEL 37-25.00 33/508	CAT SH60 - BUCYRUS	MOULDED RUBBER
537-991-004	WHEEL 37-26.00 38/605	CAT SH660 - BUCYRUS (#1625381)	MOULDED RUBBER
539-091-001	WHEEL 39-32.00 5PC 48/826	CAT 990/990H/844/844H	45/65R39
539-091-002	WHEEL 39-32.00 5PC 48/826	CAT 990/990H/844/844H WITH SURLOC	45/65R39
540-991-003	WHEEL 40-20.00 33/508 (36 HOLE PATTERN)	CAT FBL LOADER SETCO#SA66902	MOULDED RUBBER
537-991-007	WHEEL 40-25.00 38/605	CAT SH660 (28X54) SETCO SERIAL NO: SA53194W	MOULDED RUBBER
500-990-768	WHEEL 45-36.00 5PC	CAT 992G/992K/854G	45/65R45
545-991-296	WHEEL 45-36.00 5PC	CAT 992 B/C/D/F	45/65R45
545-991-303	WHEEL 45-36.00 5PC	CAT 992G/H/K XHD	45/65R45
549-991-305	WHEEL 49-17.00 5PC	CAT 777A	24.00R49
549-991-299	WHEEL 49-19.50 5PC	CAT 777 A - 145 OFFSET	27.00R49
549-991-298	WHEEL 49-19.50 5PC (SURLOC)	CAT 777 B/C/D/E/F/G (SURLOC)	27.00R49
549-041-001	WHEEL 49-19.50 5PC EU DESIGN	CAT 992G	27.00R49
549-082-001	WHEEL 49-19.50 DOUBLE GUTTER	CAT 777	27.00R49
549-001-001	WHEEL 49-19.50 OVM ASSEMBLY	CAT 777	27.00R49
551-052-001	WHEEL 51-22.00 5PC	CAT 776/777F LONG HAUL	30.00R51
551-082-003	WHEEL 51-22.00 DOUBLE GUTTER	CAT 776/777F LONG HAUL	30.00R51
551-012-001	WHEEL 51-22.00 SVM	CAT 776/777F LONG HAUL	30.00R51
551-053-001	WHEEL 51-24.00 5PC	CAT 776 170T TRAILER INNER	33.00R51
551-990-631	WHEEL 51-24.00 5PC	CAT 785C	33.00R51
551-052-002	WHEEL 51-24.00 5PC XT	CAT 785	33.00R51
551-002-001	WHEEL 51-24.00 6PC OVM	CAT 785	33.00R51
551-082-001	WHEEL 51-24.00 7PC DOUBLE GUTTER	CAT 776 170T TRAILER OUTER	33.00R51
551-052-003	WHEEL 51-26.00 5PC XT	CAT 785	36.00R51
551-052-004	WHEEL 51-26.00 5PC XT	CAT 785 ADAPTOR NAVE FITTED	36.00R51
551-052-006	WHEEL 51-26.00 5PC XT SPECIAL	CAT 785 ADAPTOR NAVE REVERSED	36.00R51
551-051-001	WHEEL 51-40.00 5PC	CAT 993K	50/65R51
551-071-001	WHEEL 51-40.00 6PC	CAT 993K VMW	50/65R51
557-991-302	WHEEL 57-29.00 5PC	CAT 789	37.00R57, 40.00R57, 42/90R57
557-052-003	WHEEL 57-29.00 5PC XT	CAT 793D CAT 793F	40.00R57, 46/90R57
557-002-001	WHEEL 57-29.00 6PC OVM	CAT 789	37.00R57, 40.00R57, 42/90R57
557-002-006	WHEEL 57-29.00 6PC OVM	CAT 793D 38MM NAVE	40.00R57, 46/90R57
557-002-003	WHEEL 57-29.00 6PC OVM	CAT 793D 70MM NAVE	40.00R57, 46/90R57
557-012-002	WHEEL 57-29.00 6PC SVM	CAT 793	40.00R57, 46/90R57
557-012-001	WHEEL 57-29.00 6PC SVM	CAT 789	37.00R57, 40.00R57, 42/90R57
557-082-001	WHEEL 57-29.00 7PC DOUBLE GUTTER	CAT 789	37.00R57, 40.00R57, 42/90R57
557-082-007	WHEEL 57-29.00 7PC DOUBLE GUTTER	CAT 793 38MM NAVE	40.00R57, 46/90R57
557-052-017	WHEEL 57-32.00 5PC	CAT 793F	50/80R57, 40.00R57, 46/90R57
557-052-014	WHEEL 57-32.00 5PC XT	CAT 793F	50/80R57, 40.00R57, 46/90R57

CATERPILLAR WHEELS

PART NUMBER	WHEEL	MAKE & MODEL	TYRE SIZE
557-052-008	WHEEL 57-32.00 5PC XT	CAT 793D	50/80R57, 40.00R57, 46/90R57
557-002-005	WHEEL 57-32.00 6PC OVM	CAT 793F 38MM NAVE CAT#309-4614	50/80R57, 40.00R57, 46/90R57
557-002-004	WHEEL 57-32.00 6PC OVM	CAT 793D 70MM NAVE	50/80R57, 40.00R57, 46/90R57
557-012-003	WHEEL 57-32.00 6PC SVM	CAT 793F CAT#309-4619	50/80R57, 40.00R57, 46/90R57
557-082-004	WHEEL 57-32.00 7 PC DOUBLE GUTTER	CAT 793F 38MM NAVE	50/80R57, 40.00R57, 46/90R57
557-051-002	WHEEL 57-36.00 5PC 61/1230	CAT 994/994H	50/80-57
557-051-007	WHEEL 57-44.00 5PC 61/1230	CAT 994/994H	55/80R57
557-051-006	WHEEL 57-47.00 5PC 60/1230	CAT 994K	60/80R57
557-051-003	WHEEL 57-47.00 5PC 61/1230	CAT 994/994H	60/80R57
563-082-009	WHEEL 63-36.00 7PC DGS	CAT 794	53/80R63
563-002-002	WHEEL 63-41.00 6PC OVM	CAT 795 #347-7157	56/80R57
563-002-004	WHEEL 63-41.00 6PC OVM	CAT MT5300 CAT# 451-8199	56/80R63
563-012-002	WHEEL 63-41.00 6PC SVM	CAT 795 #347-7156	56/80R63
563-990-001	WHEEL 63-44.00 6PC OVM	CAT 797 #325-7409	59/80R63
563-990-002	WHEEL 63-44.00 6PC SVM	CAT 797 #325-7408	59/80R63

PART NUMBER	WHEEL	MAKE & MODEL	TYRE SIZE
357-050-012	RIM 57-29.00 5PC HSLA	HITACHI EH3500-4000 ACII	40.00R57, 46/90R57
357-050-015	RIM 57-29.00 5PC HSLA	HITACHI 3500-4500	40.00R57, 46/90R57
357-080-005	RIM 57-29.00 7PC DLR HSLA	HITACHI EH3500-4000 ACII	40.00R57, 46/90R57
357-050-011	RIM 57-32.00 5PC HSLA	HITACHI EH3500-4000 ACII	40.00R57, 46/90R57
357-080-004	RIM 57-32.00 7PCDLR HSLA	HITACHI EH3500-4000 ACII	40.00R57, 46/90R57
363-052-001	RIM 63-38.00 5PC HSW	HITACHI EH5000-III	53/80R63
363-082-001	RIM 63-38.00 7PC DLR HSW	HITACHI EH5000-III	53/80R63
520.852.010	WHEEL 20-7.50 3PC 10/335	HITACHI ZX170W-5B	10.00-20
525.144.010	WHEEL 25-13.00 1PC 12/210	HITACHI ZW120	15.5R25
525-991-807	WHEEL 25-14.00 3PC 12/210	HITACHI ZW120	17.5R25
525-991-771	WHEEL 25-17.00 3PC 12/210	HITACHI ZW120	20.5R25
525.119.010	WHEEL 25-17.00 3PC 14/304.8	HITACHI 624K	20.5R25
525-991-157	WHEEL 25-17.00 3PC 14/305	HITACHI LX120	20.5R25
525-991-665	WHEEL 25-17.00 3PC 15/252	HITACHI ZW150 / KAW 70Z7	20.5R25
525-991-901	WHEEL 25-17.00 3PC 15/254	HITACHI ZW180-5B # 2656442001	20.5R25
525-991-679	WHEEL 25-19.50 3PC 12/425	HITACHI AH250D/AH300/BELL B25D	23.5R25
525-991-906	WHEEL 25-19.50 3PC 12/425.45	HITACHI B35E # 191124	23.5R25
525-991-902	WHEEL 25-19.50 3PC 20/370	HITACHI ZW250-5B # 2671440201	23.5R25
525-991-295	WHEEL 25-19.50 5PC 12/425	HITACHI AH250D/AH300/BELL B25D	23.5R25
525-991-866	WHEEL 25-19.50 5PC 18/335	HITACHI ZW220-5B	23.5R25
525-991-844	WHEEL 25-19.50 5PC 20/370	HITACHI ZW250-5B	23.5R25
525-991-905	WHEEL 25-22.00 3PC 12/425.45	HITACHI B30D	26.5R25
525-991-907	WHEEL 25-22.00 3PC 12/500	HITACHI B35D	26.5R25
525-991-903	WHEEL 25-22.00 3PC 20/370	HITACHI ZW330-5B # 4342462070	26.5R25
525-991-526	WHEEL 25-22.00 5PC 12/500	HITACHI AH400	26.5R25
525-991-254	WHEEL 25-22.00 5PC 14/304.8	HITACHI LX230-3	26.5R25
525-991-819	WHEEL 25-22.00 5PC 20/370	HITACHI ZW250-5	26.5R25
525-991-566	WHEEL 25-22.00 5PC 20/370	HITACHI ZW310	26.5R25
525-991-439	WHEEL 25-25.00 5PC 18/500	HITACHI AH500/BELL B50D	29.5R25
525-991-908	WHEEL 25-25.00 5PC 18/500	HITACHI B40E 45E 50E # BN027711	29.5R25
529-991-290-HO	WHEEL 29-27.00 5PC 18/500	HITACHI AH500	875/65R29
533-991-338	WHEEL 33-28.00 5PC 32/580	HITACHI ZW550-5B # 4342460360	35/65R33

KOMATSU WHEELS

PART NUMBER	WHEEL	MAKE & MODEL	TYRE SIZE
300-990-222	RIM 20-7.50 2PC DEMOUNTABLE	KOM 3EE-27-15301	10.00-20
300-990-378	RIM 33-13.00/2.5 5PC RW 1.38	KOMATSU 325-5/6	18.00R33
300-990-412	RIM 35-15.00/3.0 5PC	KOMATSU HD465/-3/-5/-6 / HD605	21.00R35
300-990-311	RIM 35-17.00/3.5 5PC 1.38 SURLOC	KOMATSU HD465-3/5/6 HD605	24.00R35
300-990-316	RIM 49-19.50 5PC	KOMATSU 785/-5 W SURLOC BSB	27.00R49
300-990-465	RIM 51-24.00 5PC EUH	KOMATSU HD1500-7	33.00R51
300-990-660	RIM 51-24.00 7PC DEM DG	KOMATSU HD1500-7	33.00R51
551-990-632	RIM 51-26.00 5PC	KOMATSU 630E	36.00R51
551-990-636	RIM 51-26.00 5PC	KOMATSU HD1500	36.00R51
300-990-393	RIM 57-27.00 5PC	KOMATSU 730E	37.00R57
800-990-451	RIM 57-29.00 5PC	KOMATSU 830E	40.00R57
300-990-489	RIM 57-29.00 XDR-250 DG	OFFSET RIM KOM 830E XDR-250	50/80R57
TA00582	WHEEL 9-4.00 2PC 6/180 150 17.5	KOM/MIT/TOY	6.00-9
510-990-804	WHEEL 10-5.00 3PC 6/180	KOMATSU FD35AT-16 78MM OFFSET	6.50-10
512.106.010	WHEEL 12-5.00 3PC 6/220	DUAL KOM FD25-16	7.00-12
515-991-053	WHEEL 15-7.00 2PC 6/250	KOMATSU FD35-4	8.25-15, 225/75R15
515-990-937	WHEEL 15-8.00 3PC 6/250	KOMATSU FD50A/7	375/70R15
516-991-052	WHEEL 16.5-8.25 1PC 8/203.2	KOMATSU SK815	10-16.5
516-991-066	WHEEL 16.5-8.25 1PC 8/203.2	KOMATSU SK815	10-16.5
518-990-230	WHEEL 18-11W 1PC 8/275	KOMATSU WB97R-5	12.5/80-18
518-990-226	WHEEL 18-11W 1PC 8/275	KOMATSU WA65-5	12.0-18
520-991-204	WHEEL 20-7.50 2PC 8/285	KOMATSU FD115-5 STEER	10.0-20, 9.0-20
522-990-758	WHEEL 22.5-8.25 1PC 8/335	KOMATSU LW100M-1E	12.0-22.5, 280/75R22.5
524-991-074	WHEEL 24-10.00 3PC 10/285.75	KOMATSU GD625A/-2	14.00R24
524-991-245	WHEEL 24-10.00 3PC 10/285.75	KOMATSU GD655-3	14.00R24
524-991-201	WHEEL 24-10.00 3PC 10/285.76	KOMATSU GD655-5	14.00R24
524-991-181	WHEEL 24-15W 1PC 10/335	KOMATSU WB97R-5	16.9-24
525-991-123	WHEEL 25-12.00 3PC 12/210	KOMATSU WA120/-1/-3	15.5R25
525-991-808	WHEEL 25-14.00 3PC 10/285.75	KOMATSU GD655-5	17.5R25
525-991-400	WHEEL 25-14.00 3PC 10/285.76	KOMATSU GD555-1-3/GD655-1-3-5	17.5R25
525-991-668	WHEEL 25-14.00 3PC 12/210	KOMATSU WA180-3	17.5R25
525-991-620	WHEEL 25-14.00 3PC 12/245	KOMATSU WA200-5	17.5R25
525.120.010	WHEEL 25-14.00 3PC 12/245	KOMATSU 180	17.5R25
525-991-503	WHEEL 25-17.00 3PC 12/245	KOM WA250PT-5H/WA200PZ-6/WA250PZ-6	20.5R25
525-991-790	WHEEL 25-17.00 3PC 12/425	KOMATSU WA270-3	20.5R25
525-991-470	WHEEL 25-17.00 3PC 15/254	KOMATSU WA320/-5 /-8 /PZ-6 WIL #WCE1320-EW1023	20.5R25
525-991-925	WHEEL 25-17.00 3PC 15/254	KOM WA320/-5 /-8 /PZ-6 W/SUR	20.5R25
525-991-329	WHEEL 25-17.00 3PC 18/320	KOMATSU WA350-1E	20.5R25
525-991-445	WHEEL 25-19.50 5PC 10/335	KOMATSU GD825A/-2	23.5R25

PART NUMBER	WHEEL	MAKE & MODEL	TYRE SIZE
525-991-484	WHEEL 25-19.50 5PC 15/460	KOMATSU HM300/-2 (56D-30-11400)	23.5R25
525-991-381	WHEEL 25-19.50 5PC 18/320	KOMATSU WA380-3/5H WA380-6, WA380-8	23.5R25
525-991-524	WHEEL 25-19.50 5PC 21/355	KOMATSU WA430-6	23.5R25
525-991-532	WHEEL 25-19.50 5PC 25/494	KOMATSU WA400-1	23.5R25
525-991-942	WHEEL 25-22.00 5PC 15/460	KOMATSU HM300-3	26.5R25
525-991-875	WHEEL 25-22.00 5PC 21/355.6	KOMATSU WA430-6	26.5R25
525-991-300	WHEEL 25-22.00 5PC 24/405	KOMATSU WA470-5/6/7, WA480 1-6	26.5R25
525-991-702	WHEEL 25-22.00 5PC 24/405	KOMATSU WA470-6H (EURO MODEL)	26.5R25
525-991-345	WHEEL 25-22.00 5PC 25/493.16	KOMATSU WA470	26.5R25
525-991-695	WHEEL 25-22.00 5PC 31/490	KOMATSU WA500-3	26.5R25
525-991-419	WHEEL 25-25.00 5PC 21/487	KOMATSU HM400 /-1 /-2	29.5R25,
525-991-533	WHEEL 25-25.00 5PC 27/481	KOM WA500-6, WA500-7,WA500-8	29.5R25
525-991-922	WHEEL 25-25.00 5PC 27/481	KOM WA500-6,7,8 WITH SURLOC	29.5R25
525-991-266	WHEEL 25-25.00 5PC 31/490	KOMATSU WA500-3	29.5R25
528-991-012	WHEEL 28-15W 1PC 10/335	KOMATSU WB97R-5 /WB97S-5	16.9-28, 420/85R28
529-991-301	WHEEL 29-27.00 5PC 21/487	KOMATSU HM400-3	875/65R29
533-092-001	WHEEL 33-13.00 5PC 12/660.4	KOMATSU HD325-7/405-7	18.00R33
533-991-293	WHEEL 33-28.00 5PC 31/550	KOMATSU WA600/600-3	35/65R33
533-991-339	WHEEL 33-28.00 5PC 38/660	KOM WA600-6/-8	35/65R33
533-991-308	WHEEL 33-28.00 5PC 5T (EM) 38/660	KOMATSU WA600-6/WA600-8	35/65R33
535-991-297	WHEEL 35-17.00 5PC	KOMATSU HD465-7/ HD605-7/8	24.00R35
545-991-297	WHEEL 45-36.00 5PC	KOMATSU WA/WD800/900	45/65R45
545-991-304	WHEEL 45-36.00 5PC	KOMATSU WA900 XHD	45/65R45
549-991-302	WHEEL 49-19.50 5PC W SURLOC BSB	KOMATSU HD785-7	27.00R49
549-001-002	WHEEL 49-19.50 OVM	KOMATSU 785-7	27.00R49
551-052-011	WHEEL 51-24.00 5PC XT	KOMATSU HD1500-8	33.00R51
557-052-019	WHEEL 57-29.00 5PC XT	KOM 730E-8AC	37.00R57
557-082-005	WHEEL 57-29.00 7PC DOUBLE GUTTER	KOM 730E-8AC	37.00R57
557-052-020	WHEEL 57-32.00 5PC XT5000	KOM 830E-5AC	40.00R57, 46/90R57, 50/80R57
557-082-006	WHEEL 57-32.00 7PC DOUBLE GUTTER	KOM 830E-5AC	40.00R57, 46/90R57, 50/80R57
557-052-010	WHEEL 57-47.00 5PC	KOMATSU WA1200	60/80R57
557-052-012	WHEEL 57-47.00 5PC	KOMATSU WE1850 (LETOURNEAU L1850)	60/80R57
557-071-002	WHEEL 57-47.00 6PC VM	KOMATSU WA1200 VERT. MOUNT	60/80R57
557-052-021	WHEEL 57-47.00/6.0 5PC	KOMATSU WA1200	60/80R57
557-052-013	WHEEL 57-52.00 5PC	KOMATSU WA1200	65/65-57
557-051-004	WHEEL 57-60.00 5PC	KOMATSU WE2350 (LETOURNEAU L2350)	70/70-57
563-062-002	WHEEL 63-36.00 5PC STD	KOMATSU 930E-4	53/80R57
563-082-004	WHEEL 63-36.00 6PC DGS LW	KOMATSU 930E-4	53/80R57
563-002-001	WHEEL 63-36.00 6PC OVM	KOMATSU 930	53/80R57

KOMATSU WHEELS

PART NUMBER	WHEEL	MAKE & MODEL	TYRE SIZE
563-012-001	WHEEL 63-36.00 6PC SVM	KOMATSU 930	53/80R57
563-072-001	WHEEL 63-36.00 6PC VM EUS	KOMATSU 930E-4	53/80R57
563-072-004	WHEEL 63-36.00 6PC VMW LW	KOMATSU 930E-4	53/80R57
563-082-001	WHEEL 63-36.00 7PC DG EUS	KOMATSU 930E-4	53/80R57
563-062-001	WHEEL 63-44.00 5PC	KOMATSU WE2350 (LETOURNEAU L2350)	58/80R63
TA04142	WHEEL 63-47.00 5PC	KOMATSU WA1200	58/80R63
563-062-003	WHEEL 63-47.00 5PC HDS	KOMATSU WA1200	58/80R63

TEREX WHEELS

PART NUMBER	WHEEL	MAKE & MODEL	TYRE SIZE
300-990-419	RIM 51-24.00 5PC STD	TEREX MT3300	33.00R51
351-052-001	RIM 51-26.00 5PC	TEREX MT3300	36.00R51
300-990-387	RIM 51-26.00 5PC STD	TEREX MT3300-SPECIAL	36.00R51
351-082-001	RIM 51-26.00 7PC DLR	TEREX M3300	36.00R51
300-990-417	RIM 57-32.00 5PC EHD	TEREX 4400	40.00R57, 46/90R57
357-080-003	RIM 57-32.00 7PC DLR	TEREX 4400	40.00R57, 46/90R57
516-990-146	WHEEL 16.5-9.75 1PC 8/275	TEREX GTH2506	12-16.5
520.380.010	WHEEL 20-10.00 3PC 10/335	TEREX MAC25	14.00-24
520.379.010	WHEEL 20-8.50 3PC 10/335	TEREX AT-20 (38MM DUAL)	10.00-20
525-991-884	WHEEL 25-17.00 3PC CRANE 10/335	TEREX LIFTING	525/80R25, 20.5R25
525-991-947	WHEEL 25-19.50 3PC 12/425	TEREX TA300 DUMP TRUCK	23.5R25
525-991-961	WHEEL 25-19.50 5PC 12/425	TEREX TA300	23.5R25
525-991-840	WHEEL 25-22.00 5PC 12/425	TEREX TA300-9/10 DUMP TRUCK	26.5R25
525-991-831	WHEEL 25-22.00 5PC 23/501.8	TEREX TA35	26.5R25
529-991-293	WHEEL 29-27.00 5PC 19/500	TEREX TA400 - 9 OR 10	875/65R29
920-991-012	JACKING BOLT TEREX MT4400	1.00"-8 UNC	
920-991-090	JACKING BOLT TEREX MT4400	1.00"-8 UNC (SHORT)	
920-990-863	SPACER 51" 12 X 336 X 1200 O/D	TEREX MT3300 25 X 8 INNER BAND	
920-991-192	SPACER 51" 12X257X1200 OD	TEREX MT3300 25 X 8 INNER BAND	
920-990-867	SPACER 57" 16X415X1337 O/D	TEREX	

VOLVO WHEELS

PART NUMBER	WHEEL	MAKE & MODEL	TYRE SIZE
520.506.010	WHEEL 20-7.50 3PC 10/335	VOLVO EW160D/E	10.00-20
524-991-182	WHEEL 24-10.00 3PC 10/285.75	VOLVO JDG710B WA SPECIAL	14.00R24
524-991-137	WHEEL 24-10.00 3PC 10/285.76	VOLVO G930/B	14.00R24
525-991-404	WHEEL 25-12.00 3PC 8/250	VOLVO L50B/C	15.5R25
525-991-741	WHEEL 25-13.00 5PC 12/425	VOLVO C150 CR	18.00R25
525.111.010	WHEEL 25-14.00 1PC 10/335	VOLVO L50D/F	17.5R25
525-991-482	WHEEL 25-14.00 3PC 10/285.75	VOLVO G976/946 REAR	17.5R25
525.112.010	WHEEL 25-14.00 3PC 10/335	VOLVO G976 FRONT	17.5R25
525.140.010	WHEEL 25-14.00 3PC 10/335	VOLVO L45F	17.5R25
525-991-833	WHEEL 25-14.00 3PC 10/335	VOLVO L-60E	17.5R25
525-991-494	WHEEL 25-17.00 3PC 10/317.5	VOLVO G990	20.5R25
525-991-357	WHEEL 25-17.00 3PC 10/335	VOLVO L60E/F/H	20.5R25
525-991-710	WHEEL 25-17.00 3PC 10/335	VOLVO L70B/C/D	20.5R25
525-991-222	WHEEL 25-17.00 3PC 12/425	VOLVO L90C/D	20.5R25
525-991-221	WHEEL 25-17.00 3PC 12/425	VOLVO L90B	20.5R25
525-991-223	WHEEL 25-17.00 3PC 16/335	VOLVO L90E/F/H	20.5R25
525-991-220	WHEEL 25-17.00 3PC 16/335	VOLVO L70E/F	20.5R25
525-991-414	WHEEL 25-17.00 3PC 18/425	VOLVO L120 C/D/E/F/H	20.5R25
525-991-682	WHEEL 25-17.00 5PC 16/335	VOLVO L70F	20.5R25
525-991-214	WHEEL 25-17.00 5PC 18/425	VOLVO PDJ	20.5R25
525-991-730	WHEEL 25-19.50 3PC 18/425	VOLVO L110F	23.5R25
525-991-938	WHEEL 25-19.50 3PC 18/425	VOLVO L120F	23.5R25
525-991-911	WHEEL 25-19.50 5PC 12/425	VOLVO L120B	23.5R25
525-991-243	WHEEL 25-19.50 5PC 12/425	VOLVO A25C/D/G/A30C/D/E/F/G	23.5R25
525-991-818	WHEEL 25-19.50 5PC 12/425	VOLVO A30C (11060799)	23.5R25
525-991-910	WHEEL 25-19.50 5PC 18/425	VOLVO 4500	23.5R25
525-991-291	WHEEL 25-19.50 5PC 18/425	VOLVO L110/L120C/D/E/F/H	23.5R25
525-991-856	WHEEL 25-22.00 5PC 12/425	VOLVO A30D / A30G	26.5R25
525-991-450	WHEEL 25-22.00 5PC 18/500	VOLVO A35C	26.5R25
525-991-306	WHEEL 25-22.00 5PC 24/500	VOLVO L150E/F/G L180C/E/F/G	26.5R25
525-991-633	WHEEL 25-24.00 5PC 12/425	VOLVO A25C/D/A30D	750/65R25
525-991-893	WHEEL 25-25.00 5PC 30/500	VOLVO L160/250/260 G/H	29.5R25
525-991-268	WHEEL 25-25.00 5PC 18/500	VOLVO A40D/E/F/G A40S A45G	29.5R25
525-991-293	WHEEL 25-25.00 5PC 30/500	VOLVO L220E/F/G	29.5R25
529-990-005	WHEEL 29-24.00 5PC 24/500	VOLVO L150E/F L180E/H (11075600 15186069)	775/65R29
529-991-294	WHEEL 29-27.00 5PC 24/585	VOLVO A60H	875/65R29
529-991-291	WHEEL 29-27.00 5PC 30/500	VOLVO L220G	875/65R29
533-991-318	WHEEL 33-28.00 5PC	VOLVO L350F	35/65R33

PART NUMBER	WHEEL	MAKE & MODEL	TYRE SIZE
524-991-197	WHEEL 24-10.00 4PC 12/425	LIEBHERR CRANE	14.00R24
524-991-205	WHEEL 24-10.00 4PC 24/425	LIEBHERR LHM1300	14.00R24
525.160.010	WHEEL 25-11.00 3PC CRANE 10/335	LIEBHERR LTM1500-8.1	445/95R25, 16.00R25
525-991-744	WHEEL 25-11.00 3PC CRANE 10/335	LIEBHERR 1080-1	445/95R25, 16.00R25
525-991-769	WHEEL 25-11.25 3PC 12/425	LIEBHERR STRADDLE	16.00R25
525.118.010	WHEEL 25-16.00 3PC CRANE 10/335	LIEBHERR LTM 1080-1 SPECIAL	N/A
525-991-937	WHEEL 25-17.00 3PC 10/335	LIEBHERR L524	20.5R25
525-991-899	WHEEL 25-17.00 3PC 12/425	LIEBHERR L538	20.5R25
525-991-835	WHEEL 25-17.00 3PC CRANE 10/335	LIEBHERR LTM 1200-5.1/1060-3.1	525/80R25, 20.5R25
525-991-870	WHEEL 25-17.00 3PC CRANE 10/335	LIEBHERR LTM 1250-5.1	525/80R25, 20.5R25
525-991-617	WHEEL 25-17.00 3PC CRANE 10/335	LIEBHERR LTM 1055	525/80R25, 20.5R25
525-991-815	WHEEL 25-17.00 3PC CRANE 10/335	LIEBHERR LTM 1055/3.2 / LTM1060/2	525/80R25, 20.5R25
525-991-597	WHEEL 25-17.00 3PC CRANE 10/335	LIEBHERR LTM 1140	525/80R25, 20.5R25
525-991-323	WHEEL 25-17.00 3PC CRANE 10/335	LIEBHERR LTM 1100-2	525/80R25, 20.5R25
525-991-850	WHEEL 25-17.00 3PC CRANE 10/335	LIEBHERR LTM 1070-4.2	525/80R25, 20.5R25
525.141.010	WHEEL 25-17.00 3PC CRANE 10/335	LIEBHERR LTM 1040-2.1	525/80R25, 20.5R25
525-991-692	WHEEL 25-17.00 3PC CRANE 10/335	LIEBHERR LTM 1030-2	525/80R25, 20.5R25
525-991-869	WHEEL 25-17.00 3PC CRANE 10/335	LIEBHERR LTM 1100-4.1 DIA 26	525/80R25, 20.5R25
525-991-715	WHEEL 25-17.00 3PC CRANE 10/335	LIEBHERR	525/80R25, 20.5R25
140-990-316	WHEEL 25-17.00 3PC CRANE 12/425	LIEBHERR 538	20.5R25
525-991-803	WHEEL 25-19.50 3PC 16/425	LIEBHERR 556	23.5R25
525-991-877	WHEEL 25-22.00 5PC 20/425	LIEBHERR 576	26.5R25
525-991-834	WHEEL 25-25.00 5PC 24/508	LIEBHERR L586	29.5R25
525-991-867	WHEEL 25-9.50 3PC 10/335	LIEBHERR # 11060539	385/95R25, 14.00R25
563--002--007	WHEEL 63-41.00 5 PC STMT	950556 T282-C LIEBHERR 4163 P 1 & 2	56/80R63
563--002--008	WHEEL 63-41.00 5PC STMT	950556 T282-C LIEBHERR 4163 P 4 & 5	56/80R63
563--002--006	WHEEL 63-41.00 7PC ACT	950595 T282-C LIEBHERR 4163 P 3 & 6	56/80R63



OTR AUSTRALIA PTY LTD

1300 CALL OTR

www.otraustralia.com

sales@otraustralia.com

Version 2.0

Updated October 2024



BELLEVUE WA

113 Clayton Street, Bellevue WA, 6056

p: (08) 9250 8949 | e: sales@otrtyre.com



KEWDALE WA

12 Bradford Street, Kewdale WA, 6105

p: (08) 9253 6100 | e: sales@otraustralia.com



KALGOORLIE WA

56 Great Eastern Highway, Kalgoorlie WA, 6430

p: (08) 9021 4404 | e: sales@otrtyre.com



KARRATHA WA

51 Pemberton Way, Karratha WA, 6714

p: (08) 9144 4887 | e: sales@otrtyre.com



PORT HEDLAND WA

14 Murrena Street, Wedgefield WA, 6721

p: (08) 9172 5984 | e: sales@otrtyre.com



GERALDTON WA

239 Place Road, Webberton WA, 6530

p: (08) 9964 6988 | e: sales@otrtyre.com



GERALDTON WA

141 Flores Road, Webberton, WA 6530

p: (08) 9932 6174 | e: sales@otraustralia.com



YATALA QLD

34 Alloy Street, Yatala QLD, 4207

p: (07) 3803 8333 | e: sales@otraustralia.com



EMERALD QLD

12-16 Kyle Street, Emerald QLD, 4720

p: (07) 4987 4784 | e: sales@otraustralia.com



MOUNT ISA QLD

38-40 Barkly Highway, Mount Isa, QLD 4825

p: (07) 4743 6633 | e: sales@otraustralia.com



GLADSTONE QLD

42 Callemondah Drive, Gladstone, QLD 4680

p: (07) 4978 7233 | e: sales@otraustralia.com



MACKAY QLD

33-35 Connors Road, Paget, QLD 4740

p: (07) 4952 2797 | e: sales@otraustralia.com



BRISBANE QLD

9 Navigator Place, Hendra, QLD 4011

p: (07) 3868 4089 | e: sales@otraustralia.com



SYDNEY NSW

100 Brabham Drive, Eastern Creek, NSW 2766

p: (02) 9676 4099 | e: sales@otraustralia.com



MUSWELLBROOK NSW

26 Strathmore Road, Muswellbrook, NSW 2333

p: (02) 6541 3207 | e: sales@otraustralia.com



MILDURA VIC

36-42 Tenth Street, Mildura, VIC 3500

p: (03) 5018 7800 | e: sales@otraustralia.com