

OTR

TYRES WHEELS AXLES

OTR AGRICULTURAL PRODUCTS CATALOGUE





CATALOGUE CONTENTS

Introduction	4
Wheel Information	6
Adjustable Row Crop Wheels	8
Bearing & Hub Mounted Wheels	9
Single PC Fixed Centre Wheels	10
Tyre & Wheel Assemblies For Trailers	11
Agricultural Wheels	12
Agricultural Rims	16
Adjustable Wheel Assemblies	20
Typical Dual Wheel Kit Assembly	21
King Track Dual Wheel Kits	22
Fitting King Track Duals	24
Forestry Wheels	26
Forestry Rims	27
Tyre Brands	30
Acronyms Of Agricultural Tyres	32
Tyre Designation Chart	33
Load Index	34
Conversion Chart	36
Agricultural Tyre Sizes	38
Light Truck Aircraft Retread	58
OTR Tyre Warranty	59



The logo for OTR, featuring the letters 'OTR' in a bold, white, sans-serif font. The 'O' is a solid white circle, while the 'T' and 'R' are outlined. The background is a dark green, semi-transparent overlay on a photograph of a factory interior with sparks flying from a machine.

MADE IN AUSTRALIA

AGRICULTURAL WHEELS

This catalogue is intended as a guide to cover the range of products supplied by OTR - Tyre Wheels Axles. Please contact our National Customer Service Centre 1300 CALL OTR for a current list price. All goods sold by OTR - Tyre Wheels Axles are covered by manufacturer's warranty.

Whilst all efforts have been made to publish this document with respect to accuracy supplied by manufacturers of products, OTR - Tyre Wheels Axles accepts no responsibility for claims resulting from information provided herein. All sales are covered by OTR - Tyre Wheels Axles Conditions of Sales and Credit Terms.

It is the responsibility of the purchaser to check all goods supplied by OTR - Tyre Wheels Axles at time of delivery. Errors in delivery must be reported to OTR - Tyre Wheels Axles Customer Service Department within 24 hours of receipt and any incorrect deliveries at the fault of OTR - Tyre Wheels Axles will be replaced by OTR - Tyre Wheels Axles without cost to the Dealer.

All goods returned outside these parameters shall be subject to a 10% surcharge and freight for returned goods shall be at the purchaser's cost. OTR - Tyre Wheels Axles return procedure must be followed otherwise goods will not be accepted.

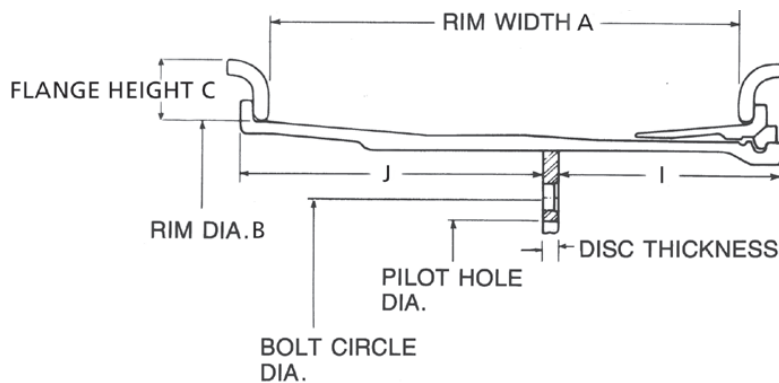


WHEEL INFORMATION

OTR ENGINEERED LARGE DIAMETER RIMS, WHEELS & COMPONENTS

- **Use of specifically designed high-strength low-alloy material in crucial components**
Ensures maximum fatigue life.
- **Shot-peened lock ring groove and other high stress areas**
Provides favorable residual compressive stress in critical areas for long life.
- **Machined lock ring grooves and mating component surfaces**
Assures even stress distribution for maximum fatigue life and safety.
- **Machined o-ring grooves**
Provides positive sealing and air retention.
- **Periodic inspection of circumferential weld joints by X-Ray or Ultrasound**
World class quality assurance of submerged arc welds eliminates potential weld problems.
- **Use of ring rolled forgings**
Ensures maximum fatigue life.

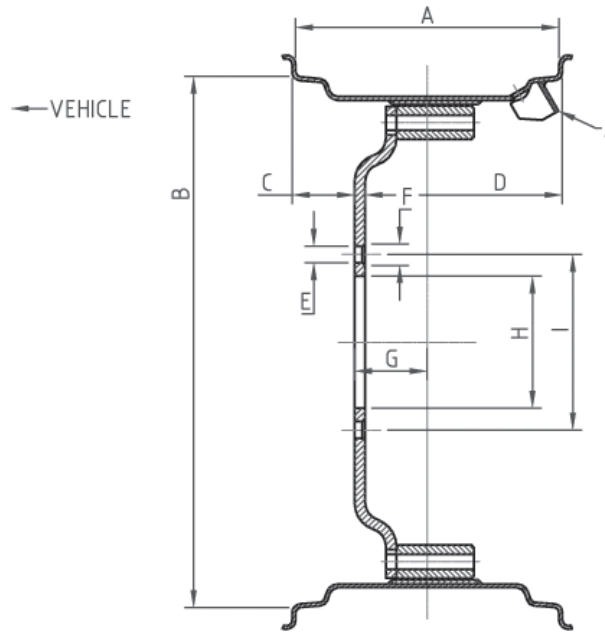
ALL RIM TYPES COVERED IN THIS CATALOGUE CAN BE MADE INTO WHEELS



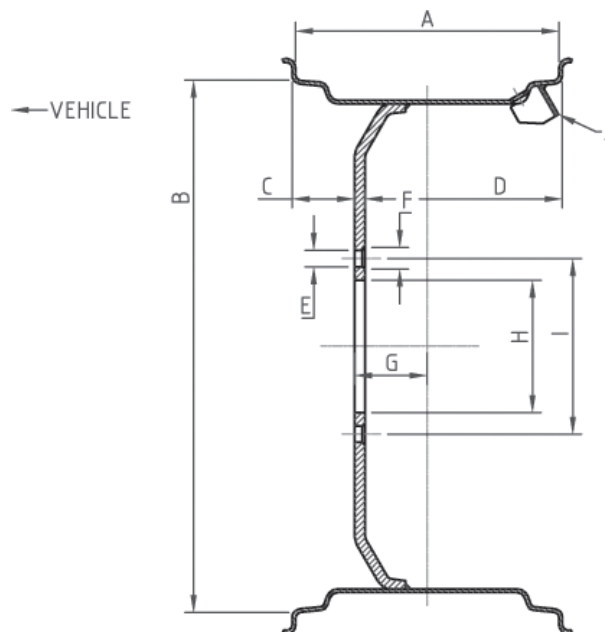
Information Required:

Operating Conditions	Maximum load, inflation pressure, speed, tyre size and ply rating.
Design Details	Bolt circle diameter, number of holes, bolt hole configuration (straight or countersink), hole diameter, bore size, disc thickness, disc location (offset), hub drawing (when available).

ADJUSTABLE WHEEL



FIXED WHEEL



A	WIDTH
B	DIAMETER

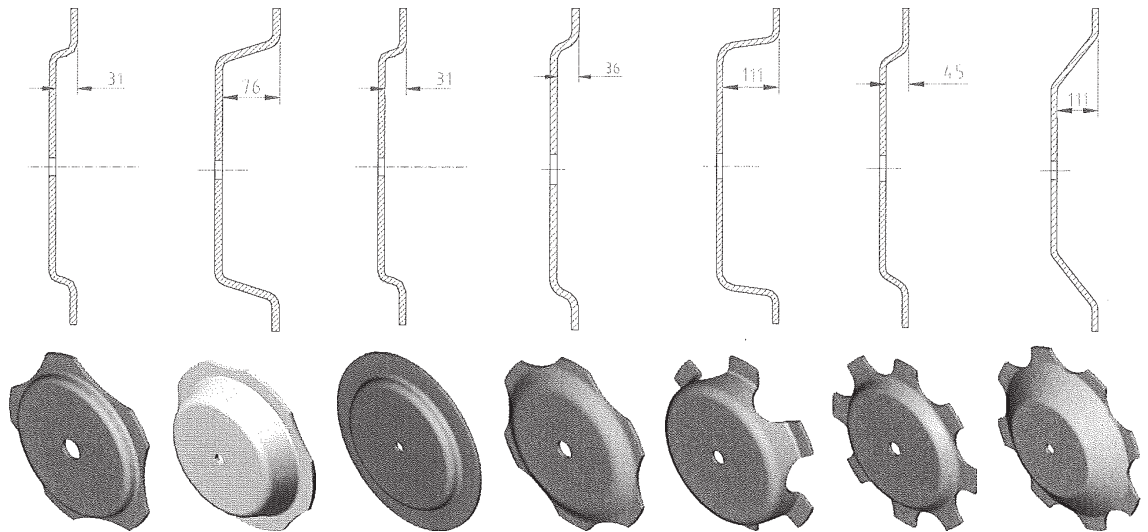
C	BACK SPACING
D	FRONT SPACING

E	HOLE SIZE
F	COUNTERSINK

G	OFFSET
H	BORE

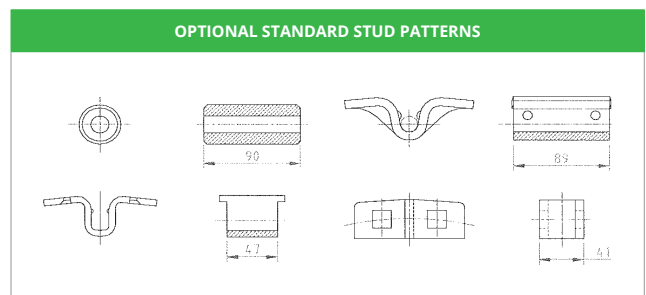
I	PCD
J	VALVE GUARD

ADJUSTABLE ROW CROP WHEELS



DIAMETER							
20	10mm	10mm	10mm				
24			12mm	12mm	10mm / 12mm		
26			12mm	12mm	10mm / 12mm		
28			10mm		12mm	12mm	
30			10mm		12mm	12mm	
32					12mm	12mm	
34					12mm	12mm	
36						12mm	12mm / 16mm
38						12mm	12mm / 16mm
40							16mm
42							16mm
44							16mm
46							16mm
48							16mm
50							16mm
52							16mm
54							16mm

OPTIONAL STANDARD STUD PATTERNS
5 on 140 PCD
6 on 205 PCD
8 on 275 PCD
10 on 335 PCD
6 on 6"
8 on 8"



BEARING & HUB MOUNTED WHEELS

PART NUMBER	SIZE	PCD	NUMBER OF STUDS	SPEED RATING	FINISH
TA00574	6 x 4.25 100mm HUB	6205 Bearing	0	40kph	White
TA00573	8 x 3.75 80mm HUB	6205 Bearing	0	40kph	White
TA00575	8 x 5.25 100mm HUB	6205 Bearing	0	40kph	White
TA00576	8 x 7.00 100mm HUB	6205 Bearing	0	40kph	White
TA00897	8 x 3.75 - 2mm	101.6	4	*	White
TA00898	8 x 3.75 - 2mm	101.6	4	*	Galvanised
TA00899	8 x 3.75 - 2mm	114.3	5	*	White
TA00902	8 x 5.375 - 2mm	101.6	4	*	White
TA00903	8 x 5.375 - 2mm	114.3	5	*	White
TA00904	8 x 5.375 - 2mm	107.95	5	*	White
TA00905	8 x 7.00 - 2mm	101.6	4	*	White
TA00906	8 x 7.00 - 2mm	101.6 x 70	4	*	White
TA00908	8 x 7.00 - 2mm	114.3	5	*	White
TA00909	8 x 7.00 - 2mm	107.95	5	*	White
TA00920	8 x 8.50 - 2mm	101.6	4	*	White
TA00912	9 x 4.00 - 2.3mm	114.3	5	*	White
TA00572	9 x 9.00 - 2.3mm	101.6	4	*	White
TA00913	10 x 4.00 - 3mm	114.3	5	*	White
TA00915	10 x 6.00 - 2.6mm	101.6	4	*	Galvanised
TA00916	10 x 6.00 - 2.6mm	114.3	5	*	White
TA00894	10 x 6.00 - 2.6mm	71.5 Bore	0	*	Bare
TA00258	12 x 7.00 - 3.5/5mm	140 x 94 Bore	5	*	Grey
TA00258 - W	12 x 7.00 - 3.5/5mm	140 x 94 Bore	5	*	White
TA00128	12 x 10.5 - 2.5/4.5mm	114.3 x 80	5	*	Silver
TA00911	9 x 4.00	101.6	4	+25	White Mini

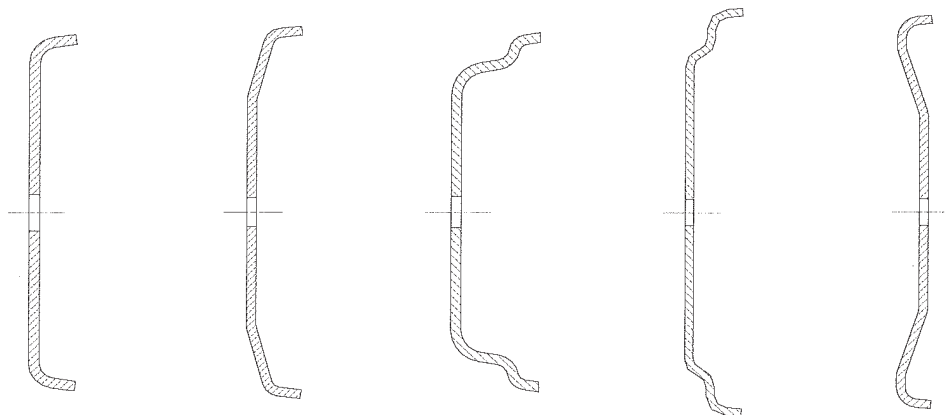
* A maximum speed up to 100 kph may be obtained on application and rating of selected tyre. Please discuss your application with our technical department for further assistance. Other sizes and configurations are available to OEM volume orders.

EXTRA HEAVY DUTY SOLID RUBBER INDUSTRIAL WHEELS

PART NUMBER	DIAMETER	SECTION WIDTH	BORE	PCD	CAPACITY	SPEED RATING
650.003.010	402mm	112mm	68mm	5/107.95 HT	860kg	25kph

A high quality European assembly for agricultural & industrial applications. This is a solid-ribbed 4.00 x 8 forklift tyre fitted to a heavy duty 3.00 x 8 - 2mm 2-piece wheel. Suitable for mowers, slashers, baggage trolleys and ground support vehicles.

SINGLE PC FIXED CENTRE WHEELS



DIAMETER					
15	8mm / 10mm				
16	8mm / 10mm				6mm
16.1	8mm / 10mm				
16.5	8mm / 10mm				
17	10mm / 12mm				
17.5	10mm / 12mm				
18	10mm / 12mm				
19.5	10mm / 12mm				
20	12mm / 16mm		16mm		
22.5	12mm / 16mm		16mm		
24	12mm / 16mm	12mm	16mm		12mm
26	16mm	12mm / 16mm	16mm		
26.5	16mm				
28	16mm	12mm / 16mm			
30		16mm			
30.5	16mm				
32	16mm			16mm	
34				16mm	
36	16mm			16mm	
38	16mm			16mm	
40	16mm			16mm	16mm
42	16mm			16mm	16mm
44				16mm	16mm
46				16mm	16mm
48				16mm	16mm
50				16mm	16mm
52				20mm	20mm
54				20mm	20mm

TYRE & WHEEL ASSEMBLIES FOR TRAILERS

PART NUMBER	TYRE & WHEEL ASSEMBLIES	TYRE	WHEEL
TWA0317	155R13C on 4.5 x 13 FORD Galvanised Wheel	TA01094	TA00199
TWA0305	165R13LT on 4.5 x 13 FORD White Wheel	TA00884	TA00198
TWA0315	165R13LT on 4.5 x 13 FORD Galvanised Wheel	TA00884	TA00199
TWA0171	185R14C on 6 x 14 FORD White Wheel	TA00508	TA00192
TWA0204	185R14C on 6 x 14 FORD Galvanised Wheel	TA00508	TA00193
TWA0170	185R14C on 6 x 14 FORD Wheel	TA00508	TA00187
TWA0179	195R14C on 6 x 14 FORD White Wheel	TA00509	TA00192
TWA0073	195R14C on 6 x 14 FORD Galvanised Wheel	TA00509	TA00193
TWA0191	235/75R15LT on 7 x 15 TOYOTA White Wheel	TA00510	TA00194
TWA0295	31 x 10.50R15LT on 7 x 15 TOYOTA White Wheel	TA00514	TA00194
TWA0228	31 x 10.50R15LT on 8 x 15 TOYOTA White Wheel	TA00514	TA00195
TWA0323	245/75R16LT on 7 x 16 TOYOTA White Wheel	TA00885	TA00700
TWA0657	7.50R16 on 2 Piece TOYOTA Silver Wheels	TA03099	TA01062
TWA0353	185R14C on 6 x 14 TOYOTA White Wheel	TA00508	TA01111
TWA0333	185R14C on 6 x 14 TOYOTA Wheel HT	TA00508	TA00892

SINGLE PC FIXED CENTRE WHEELS CONTINUED

PART NUMBER	SIZE	PCD	BORE	OFFSET	FINISH
TA00196	4.00 x 12	Ford 5/114.3mm	83mm	+3mm	White 2 Stripe
TA00198	4.50 x 13	Ford 5/114.3mm	83mm	-7mm	White 2 Stripe
TA00199	4.50 x 13	Ford 5/114.3mm	83mm	-7mm	Galvanised
TA01062	5.50 x 16	Toyota 6/139.7mm			Silver 2 Piece
TA00892	6.00 x 14	HT 5/107.95mm	68mm	+10mm	White 2 Stripe
TA01167	6.00 x 14	HQ 5/120.65mm	83.7mm	+12mm	White 2 Stripe
TA00192	6.00 x 14	Ford 5/114.3mm	83.7mm	-2.5mm	White 2 Stripe
TA00193	6.00 x 14	Ford 5/114.3mm	83.7mm	-2.5mm	Galvanised
TA01111	6.00 x 14	Toyota 6/139.7mm	108.7mm	0	White 2 Stripe
TA00187	6.00 x 14	Ford 5/114.3mm	83mm	+10mm	White 2 Stripe
TA00187 - B	6.00 x 14	Ford 5/114.3mm	83mm	+10mm	Black 2 Stripe
TA00194	7.00 x 15	Toyota 6/139.7mm	108.7mm	+7mm	White 2 Stripe
TA01138	7.00 x 15	Toyota 6/139.7mm	108.7mm	0	Silver
TA00700	7.00 x 16	Toyota 6/139.7mm	108.7mm	+20mm	White 2 Stripe
TA00195	8.00 x 15	Toyota 6/139.7mm	108.7mm	-22mm	White 2 Stripe
TA00497	8.00 x 16	Toyota 6/139.7mm	108.7mm	-22mm	White 2 Stripe

AGRICULTURAL WHEELS

TYRE SIZE	WHEEL SIZE	DESCRIPTION
5.00 x 10	3.50 x 10	Disc Wheel
5.70 x 12	4.00 x 12	Disc Wheel
23/8.50 x 12	7.00 x 12	Disc Wheel
23/9.50 x 12	8.50 x 12	Disc Wheel
23/9.50 x 12	9.5 x 12	Disc Wheel
26/12.00 x 12	10.50 x 12	Disc Wheel
165SR13	4.50 x 13	Disc Wheel
9.5L x 14	6.00 x 14	Disc Wheel
9.5L x 14	7.00 x 14	Disc Wheel
25/7.50 x 15	6.00 x 15	Disc Wheel
7.50 x 15	6.00 x 15	Disc Wheel
8.25 x 15	7.00 x 15	Disc Wheel
27/9.50 x 15	8.00 x 15	Disc Wheel
11L x 15	8.00 x 15	Disc Wheel
11L x 15	9.00 x 15	Disc Wheel
31/13.50 x 15	10.00 x 15	Disc Wheel
31/15.50 x 15	13.00 x 15	Disc Wheel
11.5/80 x 15.3	9.00 x 15.3	Disc Wheel
400/60 x 15.5	13.00 x 15.5	Disc Wheel
6.00 x 16	4.50 x 16	Disc Wheel
7.50 x 16	5.50 x 16	Disc Wheel
8.25 x 16	6.50 x 16	Disc Wheel
10L x 16	W8 x 16	Disc Wheel
10.00 x 16	8.00 x 16	Disc Wheel
11L x 16	W10 x 16	Disc Wheel
10.00 x 16	8.00 x 16 (Heavy Duty)	Disc Wheel
11L x 16	9.00 x 16	Disc Wheel
14L x 16.1	11.00 x 16.1	Disc Wheel
16.5 x 16.1	14.00 x 16.1	Disc Wheel
21.5L x 16.1	16.00 x 16.1	Disc Wheel
10.5 x 16.5	8.25 x 16.5	Disc Wheel
12 x 16.5	9.75 x 16.5	Disc Wheel
33/15.5 x 16.5	12.00 x 16.5	Disc Wheel
19.00 x 17	16.00 x 17 6.75 x 17.5	Disc Wheel
14.00 x 17.5	10.75 x 17.5	Disc Wheel
14.00 x 17.5	11.75 x 17.5	Disc Wheel
7.50 x 18	5.5 x 18	Disc Wheel
10.5/80 x 18	9.00 x 18	Disc Wheel
10.5/80 x 18	W9 x 18	Disc Wheel

TYRE SIZE	WHEEL SIZE	DESCRIPTION
12.5/80 x 18	9.00 x 18	Disc Wheel
13.0/65 x 18	11.00 x 18	Disc Wheel
4.50 x 19	3.00 x 19	Flat Plate
285/70 x 19.5	7.50 x 19.5	Disc Wheel
15.0 x 19.5	14.00 x 19.5	Disc Wheel
7.50 x 20	5.50 x 20	Disc Wheel
10.00 x 20	8.00 x 20	Disc Wheel
12.00 x 20	10.00 x 20	Disc Wheel
12.4 x 20	W11 x 20	Disc Wheel
16.0/70 x 20	13.00 x 20	Disc Wheel
38/18 x 20	13.00 x 20	Disc Wheel
38/18 x 20	14.00 x 20	Disc Wheel
24R21	18.00 x 21	Flat Plate
385/65 x 22.5	11.75 x 22.5	Disc Wheel
385/65 x 22.5	11.75 x 22.5	WIL 8/275
480/70 x 22.5	14.00 x 22.5	Disc Wheel
500/60 x 22.5	16.00 x 22.5	Disc Wheel
600/50 x 22.5	20.00 x 22.5	Disc Wheel
700/40 x 22.5	24.00 x 22.5	Disc Wheel Rim + Lugs
12.00 x 24	10DC x 24	Disc Wheel
11.2 x 24	W10 x 24	Disc Wheel Rim + Lugs
14.9 x 24	W12 x 24	Disc Wheel Rim + Lugs
14.9 x 24	DW13 x 24	Disc Wheel Rim + Lugs
16.9 x 24	W15 x 24	Disc Wheel Lugged Omega (HD) Rim + Lugs
18.4 x 24	DW16 x 24	Disc Wheel
66/43 x 25	36.00 x 25	Disc Wheel
14.9 x 26	DW12 x 26	Disc Wheel Lugged Ring Lugged Omega (HD)
16.9 x 26	W15 x 26	Disc Wheel
18.4 x 26	DW16 x 26	Disc Wheel
18.4 x 26	16.00 x 26	3 Piece Disc Wheel
23.1 x 26	DW20 x 26	Disc Wheel
23.1 x 26	20.00 x 26	3 Piece Disc Wheel
28L x 26	DW25 x 26	Disc Wheel
28L x 26	25.00 x 26	3 Piece Disc Wheel
500/60 x 26.5	16.00 x 26.5	Disc Wheel
700/60 x 26.5	24.00 x 26.5	Disc Wheel
600/55 x 26.5	20.00 x 26.5	Disc Wheel
800/45 x 26.5	28.00 x 26.5	Disc Wheel
9.5 x 28	W8 x 28	Disc Wheel

AGRICULTURAL WHEELS

TYRE SIZE	WHEEL SIZE	DESCRIPTION
11.2 x 28	W10 x 28	Disc Wheel Rim + Lugs
12.4 x 28	W11 x 28	Disc Wheel Rim + Lugs
13.6 x 28 14.9 x 28	W12 x 28	Disc Wheel Rim + Lugs
16.9 x 28	W15 x 28	Disc Wheel Rim + Lugs
18.4 x 28	W16 x 28	Disc Wheel Rim + Lugs
21L x 28	DW18 x 28	Disc Wheel
600/65 x 28	DW20 x 28	Disc Wheel
14.9 x 30	DW12 x 30	Disc Wheel
18.4 x 30	DW16 x 30	Disc Wheel
480/70 x 30	DW16 x 30	Lugged Omega (HD) Rim + Lugs
23.1 x 30	DW20 x 30	Disc Wheel
600/55 x 30.5	20.00 x 30.5	Disc Wheel
700/50 x 30.5	24.00 x 30.5	Disc Wheel
800/50 x 30.5	28.00 x 30.5	Disc Wheel
8.3 x 32	W7 x 32	Disc Wheel Rim + Lugs
12.4 x 32	W10 x 32	Disc Wheel Rim + Lugs Lugged Omega (HD)
23.1 x 32	DW20 x 32	Disc Wheel
24.5 x 32	DW21 x 32	Disc Wheel
650/75 x 32	DW21 x 32	Welded Outer
30.5 x 32	DW27 x 32	Disc Wheel
24.5 x 32	DH21 x 32	Disc Wheel Welded Outer
30.5 x 32	DH27 x 32 (Reinforced)	Disc Wheel
24.5 x 32	21 x 32 3 Piece	3 Piece Disc Wheel
30.5 x 32	27 x 32 3 Piece	Disc Wheel
35.5 x 32	31 x 32 3 Piece	Disc Wheel
12.4 x 34	DW10 x 34	Disc Wheel Rim + Lugs
16.9 x 34	W15 x 34	Disc Wheel Rim + Lugs
18.4 x 34	DW16 x 34	Disc Wheel Rim + Lugs
23.1 x 34	DW20 x 34	Disc Wheel
23.1 x 34	DW20 x 34	Welded Outer
9.5 x 36	W8 x 36	Disc Wheel Lugged Omega (HD)
11.2 x 36	W10 x 36	Disc Wheel Lugged Omega (HD)
14.9 x 36	W11 x 36	Disc Wheel Lugged Omega (HD)
14.9 x 36	W12 x 36	Disc Wheel Lugged Omega (HD)
11.2 x 38	W10 x 38	Disc Wheel Lugged Omega (HD)
12.4 x 38	W11 x 38	Disc Wheel Lugged Omega (HD)
13.6 x 38 14.9 x 38	DW12 x 38	Disc Wheel Lugged Omega (HD) Rim + Lugs
16.9 x 38 540/65 x 38	DW15 x 38	Disc Wheel Lugged Omega (HD) Rim + Lugs
18.4 x 38	W16 x 38	Disc Wheel

TYRE SIZE	WHEEL SIZE	DESCRIPTION
20.8 x 38 600/65 x 38	DW18 x 38	Disc Wheel Welded Outer
650/65 x 38	DW20 x 38	Disc Wheel
710/70R38	MW23 x 38	Disc Wheel Welded Outer
800/70 x 38	DW25 x 38	Disc Wheel
8.3 x 42	W8 x 42	Disc Wheel Rim + Lugs
11.2 x 42	W10 x 42	Disc Wheel Rim + Lugs
18.4 x 42	DW16 x 42	Disc Wheel Welded Outer
20.8 x 42	DW18 x 42	Disc Wheel Welded Outer
620/70 x 42	DW20 x 42	Disc Wheel Welded Outer
710/70 x 42	DW23 x 42	Disc Wheel Welded Outer
900/60 x 42	DW27 x 42	Disc Wheel
10.00 x 44	W8 x 44	Disc Wheel Lugged Omega (HD)
12.4 x 44	W10 x 44	Disc Wheel Lugged Omega (HD)
11.2 x 46	DW10 x 46	Disc Wheel Lugged Omega (HD)
12.4 x 46	DW12 x 46	Disc Wheel Lugged Omega (HD)
14.9 x 46	DW13 x 46	Disc Wheel Lugged Omega (HD)
18.4 x 46 520/85 x 46	DW16 x 46	Disc Wheel
9.5 x 48	W8 x 48	Disc Wheel Lugged Omega (HD)
11.2 x 48	W10 x 48	Disc Wheel Lugged Omega (HD)
13.6 x 48	W12 x 48	Disc Wheel Lugged Omega (HD)
12.4 x 50	DW10 x 50	Disc Wheel Lugged Omega (HD)
18.4 x 50	DW16 x 50	Disc Wheel
12.4 x 52	W10 x 52	Disc Wheel Lugged Omega (HD)
12.4 x 54	DW10 x 54	Disc Wheel Lugged Omega (HD)
14.9 x 54	W12 x 54	Disc Wheel Lugged Omega (HD)

Note: Lugged Omega means Heavy Duty.

OTR - Tyres Wheels Axles manufactures and supplies Australia's largest range of agricultural wheels. The wheels listed in this catalogue are an indication of the range.

If you have a requirement for any size agricultural wheel please contact our Customer Service Department on **1300 CALL OTR**.

AGRICULTURAL RIMS

TYRE SIZE	RIM SIZE	DESCRIPTION
5.00 x 10	3.50 x 10	Rim
5.70 x 12	4.00 x 12	Rim
23/8.50 x 12	7.00 x 12	Rim
23/9.50 x 12	8.50 x 12	Rim
26/12.00 x 12	10.50 x 12	Rim
9.5L x 14	6.00 x 14	Rim
9.5L x 14	7.00 x 14	Rim
7.50 x 15	6.00 x 15	Rim
8.25 x 15	7.00 x 15	Rim
27/9.50 x 15 11L x 15	8.00 x 15	Rim
11L x 15	9.00 x 15	Rim
31/13.50 x 15	10.00 x 15	Rim
31/15.50 x 15	13.00 x 15	Rim
11.5/80 x 15.3	9.00 x 15.3	Rim
400/60 x 15.5	13.00 x 15.5	Rim
6.00 x 16	4.50 x 16	Rim
7.50 x 16	5.50 x 16 (Heavy Duty)	Rim
8.25 x 16	6.50 x 16	Rim
10L x 16	W8 x 16	Rim
10.00 x 16	8.00 x 16 (Heavy Duty)	Rim
11L x 16	9.00 x 16	Rim
16.5 x 16.1	14.00 x 16.1	Rim
21.5L x 16.1	16.00 x 16.1	Rim
10.5 x 16.5	8.25 x 16.5	Rim
12 x 16.5	9.75 x 16.5	Rim
19.00 x 17	16.00 x 17	Rim
14.00 x 17.5	11.75 x 17.5	Rim
7.50 x 18	5.50 x 18	Rim
10.5/80 x 18	9.00 x 18	Rim
13.0/65 x 18	11.00 x 18	Rim
4.50 x 19	3.00 x 19	Rim
245/70 x 19.5	7.50 x 19.5	Rim
285/70 x 19.5	8.25 x 19.5	Rim
15.0 x 19.5	14.00 x 19.5	Rim
7.50 x 20	5.50 x 20	Rim
10.00 x 20	8.00 x 20	Rim
12.00 x 20	10.00 x 20	Rim
12.4 x 20	11 x 20	Rim
16.0/70 x 20	13.00 x 20	Rim

TYRE SIZE	RIM SIZE	DESCRIPTION
24R21	18.00 x 21 (3 Piece)	Rim
385/65 x 22.5	11.75 x 22.5	Rim
480/70 x 22.5	14.00 x 22.5	Rim
500/60 x 22.5	16.00 x 22.5	Rim
600/50 x 22.5	20.00 x 22.5	Rim
700/40 x 22.5	24.00 x 22.5	Rim
9.5 x 24	W8 x 24	Rim
12.00 x 24	10DC x 24	Rim
11.2 x 24	W10 x 24	Rim
14.9 x 24	W12 x 24	Rim
14.9 x 24	DW13 x 24	Rim
16.9 x 24	W15 x 24	Rim
18.4 x 24	DW16 x 24	Rim
15.5 x 25	12DC x 25	Rim
66/43 x 25	36.00 x 25	Rim
14.9 x 26	DW12 x 26	Rim
16.9 x 26	W15 x 26	Rim
18.4 x 26	DW16 x 26	Rim
23.1 x 26	DW20 x 26	Rim
28L x 26	DW25 x 26	Rim
500/60 x 26.5	16.00 x 26.5	Rim
600/55 x 26.5	20.00 x 26.5	Rim
775/80 x 26.5	24.00 x 26.5	Rim
800/45 x 26.5	28.00 x 26.5	Rim
9.5 x 28	W8 x 28	Rim
11.2 x 28	W10 x 28	Rim
13.6 x 28	W12 x 28	Rim
16.9 x 28 480/70 x 28	W15 x 28	Rim
540/65 x 28	W16 x 28	Rim
600/65 x 28	DW20 x 28	Rim
14.9 x 30	DW12 x 30	Rim
16.9 x 30	DW14 x 30	Rim
18.4 x 30	DW16 x 30	Rim
23.1 x 30	DW20 x 30	Rim
600/55 x 30.5	20.00 x 30.5	Rim
700/50 x 30.5	24.00 x 30.5	Rim
800/50 x 30.5	28.00 x 30.5	Rim
8.3 x 32	W7 x 32	Rim
12.4 x 32	W10 x 32	Rim

AGRICULTURAL RIMS

TYRE SIZE	RIM SIZE	DESCRIPTION
23.1 x 32	DW20 x 32	Rim
24.5 x 32	DW21 x 32	Rim
24.5 x 32	21.00 x 32 (3 Piece)	Rim
24.5 x 32	DH21 x 32	Rim
30.5 x 32 800/65 x 32	DW27 x 32	Rim
30.5 x 32	DH27 x 32 (Reinforced)	Rim
30.5 x 32	27.00 x 32 (3 Piece)	Rim
35.5 x 32	31 x 32	Rim
12.4 x 34	DW10 x 34	Rim
16.9 x 34	W15 x 34	Rim
18.4 x 32	DW16 x 34	Rim
23.1 x 34	DW20 x 34	Rim
710/75 x 34	DW23 x 34	Rim
9.5 x 36	W8 x 36	Rim
11.2 x 36	W10 x 36	Rim
14.9 x 36	W11 x 36	Rim
14.9 x 36	W12 x 36	Rim
11.2 x 38	W10 x 38	Rim
11.2 x 38	DW10 x 38	Rim
12.4 x 38	W11 x 38	Rim
13.6 x 38	W12 x 38	Rim
14.9 x 38	DW12 x 38	Rim
16.9 x 38 540/65 x 38	DW15 x 38	Rim
18.4 x 38	W16 x 38	Rim
20.8 x 38	W18 x 38	Rim
20.8 x 38 600/65 x 38	DW18 x 38	Rim
650/65 x 38	DW20 x 38	Rim
710/70 x 38	DW23 x 38	Rim
800/70 x 38	DW25 x 38	Rim
11.2 x 42	W10 x 42	Rim
18.4 x 42	DW16 x 42	Rim
20.8 x 42	DW18 x 42	Rim
620/70 x 42	DW20 x 42	Rim
710/70 x 42	DW23 x 42	Rim
900/60 x 42	DW27 x 42	Rim
8.2 x 44	W7 x 44	Rim
10.00 x 44	W8 x 44	Rim
12.4 x 44	W10 x 44	Rim
11.2 x 46	W10 x 46	Rim

TYRE SIZE	RIM SIZE	DESCRIPTION
11.2 x 46	DW10 x 46	Rim
12.4 x 46	W12 x 46	Rim
12.4 x 46	DW12 x 46	Rim
14.9 x 46	DW13 x 46	Rim
18.4 x 46	DW16 x 46	Rim
9.5 x 48	W8 x 48	Rim
11.2 x 48	W10 x 48	Rim
13.6 x 48	W12 x 48	Rim
12.4 x 50	DW10 x 50	Rim
18.4 x 50	DW16 x 50	Rim
12.4 x 52	W10 x 52	Rim
12.4 x 54	W10 x 54	Rim
12.4 x 54	DW10 x 54	Rim
14.9 x 54	W12 x 54	Rim

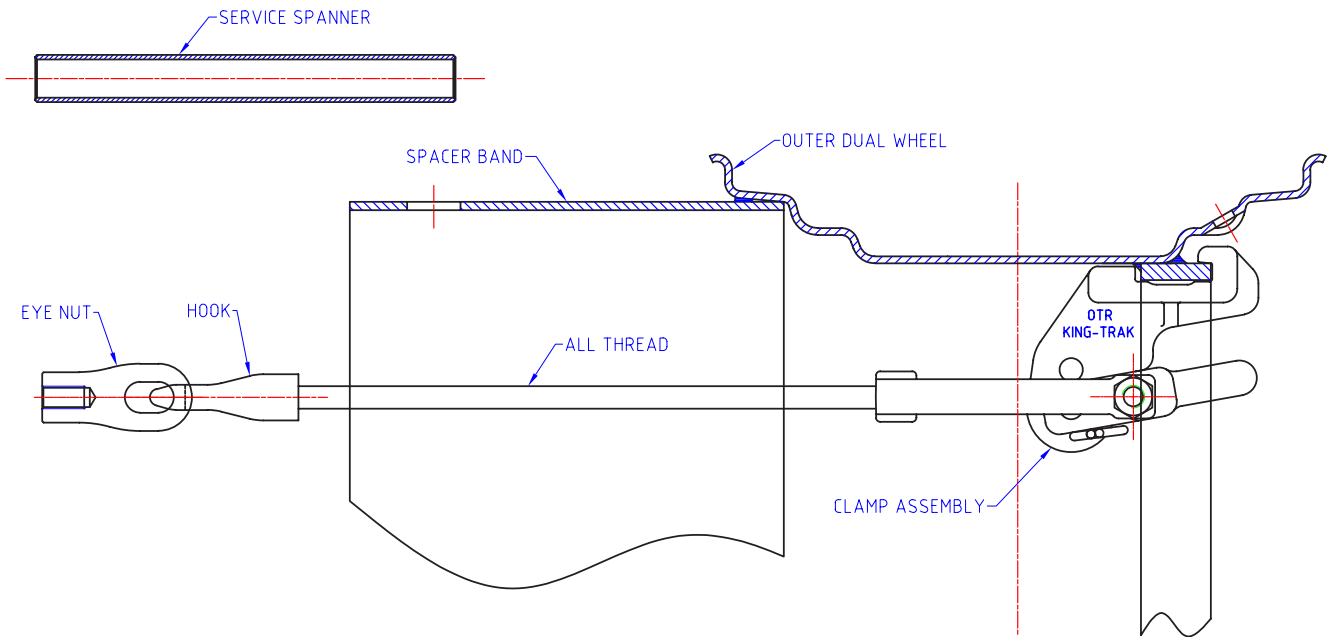
Note: OTR - Tyres Wheels Axles manufactures and supplies Australia's largest range of agricultural rims. The rims listed in this catalogue are an indication of the range.

If you have a requirement for any size agricultural rim please contact our Customer Service department on **1300 CALL OTR**.

ADJUSTABLE WHEEL ASSEMBLIES

RIM SIZE	OMEGA LUGS	RIM LUGS	HD OMEGA	OTHER DETAILS
W20	5 Omega lugs fitted to rim			Pressed centre, bored and drilled bolts, painted
		5 Rim lugs fitted to reinforced well		Pressed centre, bored and drilled
			5 HD Omega lugs fitted to rim	Pressed centre, bored and drilled bolts, painted
W24 DW26	6 Omega lugs fitted to rim			Pressed centre, bored and drilled bolts, painted
			6 HD Omega lugs fitted to rim	Pressed centre, bored and drilled bolts, painted
	8 Omega lugs fitted to rim			Pressed centre, bored and drilled bolts, painted
			8 HD Omega lugs fitted to rim	Pressed centre, bored and drilled bolts, painted
		6 Rim lugs fitted to reinforced well		Pressed centre, bored and drilled bolts, painted
		8 Rim lugs fitted to reinforced well		Pressed centre, bored and drilled bolts, painted
W28 DW30	6 Omega lugs fitted to rim			Pressed centre, bored and drilled bolts, painted
			6 HD Omega lugs fitted to rim	Pressed centre, bored and drilled bolts, painted
	8 Omega lugs fitted to rim			Pressed centre, bored and drilled bolts, painted
			8 HD Omega lugs fitted to rim	Pressed centre, bored and drilled bolts, painted
		6 Rim lugs fitted to reinforced well		Pressed centre, bored and drilled bolts, painted
		8 Rim lugs fitted to reinforced well		Pressed centre, bored and drilled bolts, painted
W32 DW34			6 HD Omega lugs fitted to rim	Pressed centre, bored and drilled bolts, painted
			8 HD Omega lugs fitted to rim	Pressed centre, bored and drilled bolts, painted
		6 Rim lugs fitted to reinforced well		Pressed centre, bored and drilled bolts, painted
		8 Rim lugs fitted to reinforced well		Pressed centre, bored and drilled bolts, painted
W34		6 Rim lugs fitted to reinforced well		Pressed centre, bored and drilled bolts, painted
			6 HD Omega lugs fitted to rim	Pressed centre, bored and drilled bolts, painted
			8 HD Omega lugs fitted to rim	Pressed centre, bored and drilled bolts, painted
		8 Rim lugs fitted to reinforced well		Pressed centre, bored and drilled bolts, painted
W36 DW38			8 HD Omega lugs fitted to rim	Pressed centre, bored and drilled bolts, painted
		8 Rim lugs fitted to reinforced well		Pressed centre, bored and drilled bolts, painted
W38			8 HD Omega lugs fitted to rim	Pressed centre, bored and drilled bolts, painted
		8 Rim lugs		16mm heavy duty pressed centre bored, drilled, reinforced well bolts, painted
W40 DW42		8 Rim lugs	16mm heavy duty pressed centre bored, drilled, reinforced well bolts, painted	
W42		8 Rim lugs	16mm heavy duty pressed centre bored, drilled, reinforced well bolts, painted	
W44 DW46		8 Rim lugs	16mm heavy duty pressed centre bored, drilled, reinforced well bolts, painted	
W46		8 Rim lugs	16mm heavy duty pressed centre bored, drilled, reinforced well bolts, painted	
W48 DW50		8 Rim lugs	16mm heavy duty pressed centre bored, drilled, reinforced well bolts, painted	
W52 DW54		8 Rim lugs	16mm heavy duty pressed centre bored, drilled, reinforced well bolts, painted	
W54		8 Rim lugs	16mm heavy duty pressed centre bored, drilled, reinforced well bolts, painted	

TYPICAL DUAL WHEEL KIT ASSEMBLY



OUTER DUAL WHEEL	QTY: 2
SERVICE SPANNER	QTY: 1

EYE NUT	QTY: 12
HOOK	QTY: 12

ALL THREAD	QTY: 12
CLAMP ASSEMBLY	QTY: 2

SPACER BARREL	QTY: 2
POWER RAIL	QTY: 2



KING TRACK DUAL WHEEL KITS

RIM PART NUMBER	RIM DIMENSION	CLAMP SETS	BAR LENGTH	APX DUAL SPACE	TRACTOR TYRE	DUAL TYRE
600.003.010	15 x 10LB BOLT ON	4	30	402	-	-
600.066.010	18 x 9 BOLT ON	4	30	419	10.00 x 18	10.00 x 18
600.025.010	18 x W11 BOLT ON	4	30	471	14.0 x 18	14.0 x 18
600.115.010	20 x W10	4	30	431	-	-
600.130.010	22.5 x 11.75	6	30	428	-	-
600.113.010	22.5 x 8.25	4	30	329	-	-
600.120.010	24 x W8	4	30	271	-	8.3 x 24
600.112.010	24 x W10	6	30	377	-	12.4 x 24
600.022.010	24 x W12	6	30	499	14.9R x 24	14.9R x 24
600.089.010	24 x Q15L	6	30	557	16.9 x 24	16.9 x 24
600.078.010	26 x DW12	6	30	485	13.6 x 26	13.6 x 26
600.015.010	26 x DW20	12	30	754	23.1 x 26	23.1 x 26
600.006.010	28 x W10	6	30	454	12.4R x 28	12.4R x 28
600.007.010	28 x W12	6	30	540	420/70R28	420/70R28
600.033.010	28 x W15L	12	30	587	16.9 x 28	16.9 x 28
600.035.010	30 x DW14	8	30	490	16.9 x 30	16.9 x 30
600.079.010	30 x DW15L	8	30	590	-	-
600.137.010	30 x DW15L	8	30	607	-	-
600.036.010	30 x DW16	8	30	585	18.4 x 30	18.4 x 30
600.037.010	30 x DW20	12	30	754	23.1 x 30	23.1 x 30
600.105.010	32 x DH27	12	50	941	-	-
600.016.010	32 x DW20A	12	30	752	23.1 x 32	23.1 x 32
600.038.010	32 x DW21	12	30	790	24.5 x 32	24.5 x 32
600.039.010	32 x DW27	12	30	942	30.5 x 32	30.5 x 32
600.040.010	34 x DW16	8	30	604	18.4 x 34	18.4 x 34
600.041.010	34 x DW20	12	30	724	23.1 x 34	23.1 x 34
600.017.010	34 x DW20A (SD32)	12	30	756	24.5 x 32	23.1 x 34
600.065.010	34 x W15L	8	30	561	16.9 x 34	16.9 x 34
600.127.010	34 x W15L	12	30	790	-	-
600.141.010	36 x W10	12	30	762	11.2 x 36	11.2 x 36
600.044.010	38 x DW12	8	30	497	13.6 x 38	13.6 x 38
600.110.010	38 x DW12 (SD34)	12	30	571	-	13.6 x 38
600.045.010	38 x DW12 (SD34)	8	30	553	18.4 x 34	13.6 x 38
600.095.010	38 x DW15 (SD32)	12	30	638	24.5 x 32	18.4 x 38
600.030.010	38 x DW15L	12	30	571	16.9 x 38	16.9 x 38
600.125.010	38 x W18	12	30	674	20.8R x 38	20.8R x 38
600.108.010	38 x DW23A	12	30	851	-	-
600.057.010	38 x W10	8	30	434	11.2 x 38	11.2 x 38
600.013.010	38 x W12 (SD34)	12	30	313	-	-

RIM PART NUMBER	RIM DIMENSION	CLAMP SETS	BAR LENGTH	APX DUAL SPACE	TRACTOR TYRE	DUAL TYRE
600.213.010	38 x W12	8	30	500	13.6 x 38	13.6 x 38
600.232.010	38 x DW15	12	30	637	18.4 x 38	18.4 x 38
600.082.010	38 x W16	12	30	633	-	-
600.091.010	38 x W16	12	30	637	-	-
600.147.010	38 x W16	12	30	582	-	-
600.004.010	38 x W16L (SD32)	12	30	670	24.5 x 32	18.4 x 38
600.073.010	38 x W16L (SD32)	12	50	836	24.5R x 32	18.4R x 38
600.049.010	38 x W16L (SD34)	12	30	852	23.1 x 34	18.4 x 38
600.126.010	38 x W16L (SD32)	12	30	582	30.5R x 32	1.4R x 38
600.050.010	38 x W18L	12	30	674	20.8 x 38	20.8 x 38
600.080.010	38 x W18L	12	30	726	20.8R x 38	20.8R x 38
600.051.010	38 x W18L (SD32)	12	30	755	30.5 x 32	20.8 x 38
600.084.010	42 x DW12L	12	30	593	13.6R x 42	13.6R x 42
600.001.010	42 x DW16L	12	30	633	18.4 x 42	18.4 x 42
600.134.010	42 x DW16L	12	30	603	18.4 x 42	18.4 x 42
600.139.010	42 x DW16L	12	30	633	18.4 x 42	18.4 x 42
600.129.010	42 x DW18L	12	30	654	20.8 x 42	20.8 x 42
600.107.010	42 x DW20	12	30	795	-	-
600.124.010	42 x DW23	12	50	934	710/70R42	710/70R42
600.014.010	46 x DW12	12	30	485	13.6 x 46	13.6 x 46
600.131.010	46 x DW12	12	30	530	14.9R x 46	14.9R x 46
600.092.010	46 x DW13	12	30	492	14.9 x 46	14.9 x 46
600.258.010	46 x DW16	12	30	603	18.4 x 46	18.4 x 46
600.077.010	46 x W10	12	30	400	11.2 x 46	11.2 x 46
600.043.010	48 x W10	12	30	443	12.4 x 48	12.4 x 48
600.140.010	48 x W12	12	30	762	13.6 x 48	13.6 x 48
600.142.010	48 x W12	12	30	450	13.6 x 48	13.6 x 48
600.257.010	50 x DW10	12	30	450	-	-

Note: Kits do not include tyres.

Step Down - Outer wheel is smaller & will only start to work as the inner sinks into the ground.

SD - Step Down Kits - A specification sheet showing the details of the existing inner wheel must be completed before a firm price can be given or work commenced.

Please specify required eye nut thread when ordering. Above list is a guide only. Kits are made to order to suit customers' needs. 400 Horsepower tractor maximum.

FITTING KING TRACK DUALS



1. Fitting of dual wheels is made simpler by driving the tractor wheel on to a block of wood. Do not position the tractor in a place where you may become trapped if the Dual Wheel falls over.



2. Plan the positioning of the eye nuts so that they are as evenly spaced around the wheel as possible.



5. Try a clamp and hook assembly as shown. Adjust the assembly length to fit. It may be necessary to cut the hook with a hacksaw if sufficient adjustment is not available (remember the adage - measure twice, cut once).



6. Adjust each assembly as shown to give a tight fit and positive over centre snap action. As the wheel draws into the taper it will be necessary to keep shortening the clamp assembly.

SAFETY

Dual wheels are not designed for road use and in many cases contravene the road traffic laws. Regularly check the clamp tension to ensure the wheel is securely attached. Dual wheels are heavy, do not put yourself in a position where you may be trapped if the wheel gets out of control, when either fitting or removing. Do realize the largest sizes can weigh in excess of half a ton.

If stored in an upright position, ensure that they are adequately secured. Do take care, the over centre action both when fastening and unfastening the clamp is very strong. Do not allow the handle to strike you.

OPERATION TIPS

The tyre pressure of the Dual Wheel should be about 2 PSI less than the

pressure in the tractor tyre. Excessive use of steering brakes increases loads on the dual and tractor wheels.

FITTING NOTES

1. The number of clamps supplied by us is adequate for the wheels size concerned. The number of clamps for each particular size of wheel is shown on our current price list. Comparison cannot be made with the number of fitting points used by our competitors as our fittings are far stronger than any others.

2. The number of eye nuts may not divide equally into the number of rim to disc bolts on the tractor wheel. This will not allow even spacing around the rim. Performance of the wheels will not be affected by uneven spacing.

3. Eye nuts are supplied in a wide

variety of threads. The eye nuts supplied to you will suit the rim to disc bolt normally used by the manufacturer of your tractor. Occasionally the tractor manufacturer will fit bolts with a thread different from their specified thread. Should this arise we will exchange the eye nuts or supply blank eye nuts.

4. Vehicles with welded in centre discs i.e. no rim to disc bolts must either have holes drilled through the disc or use special weld on eye nuts.

Drilling Providing the centre disc is flat or has only a shallow dish, then holes should be drilled equally spaced around the circumference, 1 1/2" in from the wheel rim. Bolts are placed through these holes and the eye nuts screw to these bolts.



3. Tighten the eye nuts as tightly as possible using a steel tommy bar over.



4. Roll the dual wheel alongside the tractor wheel. Enter the spacer band of the dual wheel into the taper section of the tractor wheel.



7. When the wheel is firmly into the bottom of the taper, the correct tension is produced by one man using full strength, only with the lever supplied, giving a strong over centre action. Now fit the 'R' clip locking pin.



8. During the first few hours work the wheels bed in and further tightening of the clamps will be necessary. Check the clamp tension regularly.

Welding Certain vehicles must use weld on eye nuts (JCB Fastrac); others with a deep dished disc will benefit from this method (MB Trac). Supplementary fitting instructions are available illustrating this method.

5. When using high speed vehicles with bolt in centres it is advisable to replace the rim to disc bolts with similar but longer bolts to allow the normal nut to be tightened to the correct torque. Then the OTR eye nut may be fitted to the remaining thread. These longer bolts must be grade 10.9.

6. It may be necessary to turn the rim to disc bolts around. If the bolt has either a square shank or a pip on the side of the head this should be ground off. This will not adversely affect the operation of the bolt.

7. On the Ford TW range of tractors it is possible to use the existing rail clamp bolts for fitting the eye nuts. Alternatively 3/4" UNG bolts may be fitted in existing holes in the centre casting in which case appropriate eye nuts should be ordered.

8. OTR Dual is designed so that torque is transmitted from the eye nut on the tractor wheel through the clamps to the power rail on the Dual Wheels. When torque is initially applied to the dual it will rotate slightly twisting the clamp assemblies out of square with the power rail. The claw part of the clamp is precision machined to a taper so that it jams on the power rail when out of square. Therefore, when the clamps appear to be attempting to rotate around the Dual Wheel the system is working

satisfactorily.

9. To remove the wheels from the tractor, drive the tractor onto a block thereby taking the weight off the Dual Wheel. Remove all but the uppermost clamp. Insert the tubular handle through the lowermost hole in the spacer band and lever off against the tractor wheel. Once the wheel is loose, remove the uppermost clamp and lever off through the other hole in the spacer band. Store the wheels safely and securely.

For a video of how to fit King Track Duals simply visit

https://youtu.be/yPSCFU_Z9uk

FORESTRY WHEELS

TYRE SIZE	WHEEL SIZE	DESCRIPTION
500/60 x 22.5	16.00 x 22.5	1 Piece Wheel
600/50 x 22.5	20.00 x 22.5	1 Piece Wheel
700/40 x 22.5	24.00 x 22.5	1 Piece Wheel
18.4 x 26	DWA16 x 26	1 Piece Wheel
23.1 x 26	DWA20 x 26	1 Piece Wheel
28L x 26	DWA25 x 26	1 Piece Wheel
500/60 x 26.5	16.00 x 26.5	1 Piece Wheel
600/50 x 26.5	20.00 x 26.5	1 Piece Wheel
700/60 x 26.5	24.00 x 26.5	1 Piece Wheel
24.5 x 32	DH21 x 32	1 Piece Wheel
30.5 x 32	DH27 x 32	1 Piece Wheel
35.5 x 32	DH31 x 32	1 Piece Wheel
73/44.00 x 32	DH36 x 32	1 Piece Wheel
68/50.00 x 32	DH42 x 32	1 Piece Wheel
18.4 x 34	DWA16 x 34	1 Piece Wheel
23.1 x 34	DWA20 x 34	1 Piece Wheel
48/31.00 x 20	26.00VF x 20	3 Piece Wheel
17.5 x 25	14.00T x 25	3 Piece Wheel
20.5 x 25	17.00T x 25	3 Piece Wheel
67/34.00 x 25	30.00TH x 25	3 Piece Wheel
54/37.00 x 25	32.00TH x 25	3 Piece Wheel
66/43 x 25	36.00TH x 25	3 Piece Wheel
24.5 x 32	21.00 x 32	3 Piece Wheel
30.5 x 32	27.00 x 32	3 Piece Wheel
35.5 x 32	31.00 x 32	3 Piece Wheel
73/44.00 x 32	36.00 x 32	3 Piece Wheel
68/50.00 x 32	42.00 x 32	3 Piece Wheel



**SUPPLYING QUALITY
FORESTRY TYRES**

FORESTRY RIMS

TYRE SIZE	RIM SIZE	DESCRIPTION
18.4 x 26	DWA16 x 26	1 Piece Wheel
23.1 x 26	DWA20 x 26	1 Piece Wheel
28L x 26	DWA25 x 26	1 Piece Wheel
24.4 x 32	DH21 x 32	1 Piece Wheel
30.5 x 32	DH27 x 32	1 Piece Wheel
35.5 x 32	DH31 x 32	1 Piece Wheel
73/44 x 32	DH36 x 32	1 Piece Wheel
68/50.00 x 32	DH42 x 32	1 Piece Wheel
18.4 x 34	DWA16 x 34	1 Piece Wheel
23.1 x 34	DWA20 x 34	1 Piece Wheel
8/31.00 x 20	26.00VF x 20	3 Piece Wheel
17.5 x 25	14.00T x 25	3 Piece Wheel
20.5 x 25	17.00T x 25	3 Piece Wheel
67/34.00 x 25	30.00TH x 25	3 Piece Wheel
54/37.00 x 25	32.00TH x 25	3 Piece Wheel
66/43.00 x 25	36.00TH x 25	3 Piece Wheel
24.5 x 32	21.00 x 32	3 Piece Wheel
30.5 x 32	27.00 x 32	3 Piece Wheel
35.5 x 32	31.00 x 32	3 Piece Wheel
73/44.00 x 32	36.00 x 32	3 Piece Wheel
68/50.00 x 32	42.00 x 32	3 Piece Wheel



AGRICULTURAL TYRES

This catalogue is intended as a guide to cover the range of products supplied by OTR - Tyre Wheels Axles. Please contact our National Customer Service Centre 1300 CALL OTR for a current list price. All goods sold by OTR - Tyre Wheels Axles are covered by manufacturer's warranty.

Whilst all efforts have been made to publish this document with respect to accuracy supplied by manufacturers of products, OTR - Tyre Wheels Axles accepts no responsibility for claims resulting from information provided herein. All sales are covered by OTR - Tyre Wheels Axles Conditions of Sales and Credit Terms.

It is the responsibility of the purchaser to check all goods supplied by OTR - Tyre Wheels Axles at time of delivery. Errors in delivery must be reported to OTR - Tyre Wheels Axles Customer Service Department within 24 hours of receipt and any incorrect deliveries at the fault of OTR - Tyre Wheels Axles will be replaced by OTR - Tyre Wheels Axles without cost to the Dealer.

All goods returned outside these parameters shall be subject to a 10% surcharge and freight for returned goods shall be at the purchaser's cost. OTR - Tyre Wheels Axles return procedure must be followed otherwise goods will not be accepted.

400/30B4S

400/30B4S

TYRE BRANDS



TerraTyre is the culmination of over 100 years collective experience in supply tyres to the Australian Market. As an in-house brand of OTR, it contains over a decade of proven history on and off the Australian roads.

We pride ourselves on providing quality without breaking the bank. That quality comes from close relationship with Australian partners focusing on research and development. We maintain a large range of both truck and 4x4 tyres as well as products across various industries including mining, civil, transport and agricultura, which allows us to adapt to market demands.



GRI is a leading producer of specialty tyres in Sri Lanka with offices in 9 countries and sales in over 50 countries around the world. We produce high-performance agriculture, construction and material handling tyres.

GRI deliver high-grade specialty tyres that are built sustainably at their advanced production plants in Sri Lanka. Their state-of-the-art factory is the largest in Sri Lanka to produce specialty tyres and the first to produce radial agriculture tyres. Technological innovation, engineering strength and operational excellence have powered GRI through rapid growth to become a leader in specialty tyres.



With a reputation for high quality and made in America, Titan tyres help equipment take on some of the most challenging applications including farming, construction, mining and forestry. That's why they engineer, test and manufacture tyres for high durability and long-lasting reliability. They also give you options - offering full lines of both bias and radial tyres.

The result: you get the best return on your investment and can rest assured knowing that their tyres won't let you down. No matter the conditions, their tyres keep you moving.



Multistar is known as a specialist in tyres for the agricultural, mining and industrial sector for OTR applications, with an availability of a complete range of tyres. When you work with Multistar, you can depend on a diversified stock and high-quality tyres at competitive prices.

Their unique expertise and experience, combined with their excellent customer relations built up over more than 20 years form the basis for their leading position in the market. In addition, Multistar work together with suppliers such as Tianli, Linglong and BOTO all of whom are global major players.



Bridgestone understands the needs of Australian industries. In 1981, they became the first company in mining to sell directly to the customer. This direct-to-customer strategy gave them the unprecedented capability to understand their customer's business accurately and create a Solutions Driven offering built wholly around their needs.

Maximizing usage of a wide range of products, services and digital tools, they partners with customers to develop customised solutions that contribute to productivity improvement and cost optimisation in all operations.

Uniglory's collaboration with farmers starts from their passion of the earth. They understand not only the soil, but also the people who are ploughing it. Each product is carefully engineered keeping the latest technology in mind. These Agricultural products are strong enough to achieve your goals in all conditions, either in wet or dry soil, or on road. Specially designed for challenging applications, farmers can get the job done well and efficiently.

Uniglory aim to deliver superior value to the farmers, through their focus on innovation and technology.

Based in Qingdao, China, Marcher is one of the leading manufactures in the global Off-Highway tyre market. Founded in 1998, Marcher has built up a 93,000m² factory consisting of R&D departments and over a 62,000m² production plant in Qianlou Rubber Industrial Park.

Marcher have been operating in more than 100 countries and provide products to Rio Tinto & FMG in Australia. With all-for-durable and environmentally friendly design philosophy, Marcher is offering the most integrated production line for equipment in the agriculture, mining, construction and industrial sectors.

Do you work on a farm, as a crop producer or livestock rearer, in the timber industry, in a nursery or in the upkeep of green areas or perhaps in the world of viticulture or arboriculture? The experts from the Michelin group have been assisting all agricultural professionals for more than a century. They devote all their expertise, skills and innovation to the respect and protection of the soil.

Michelin help you to optimise your operating costs, particularly through fuel savings and to improve your crop yields while reducing soil compression and compaction.

While the group foundation dates back to the 1950s, BKT started its Off-Highway tyre business in 1987. For over 30 years, BKT has successfully focused on specialist segments such as agricultural, construction and industrial as well as earthmoving, port and mining, ATV and gardening applications.

But your business is at our core. Over the years we have come up with many tyre novelties that cater for the most demanding user needs in any Off-Highway application and today we offer an extensive product range of over 3,200 high-performance specialist tyres.

Growers have a legacy built on hard work and a spirit of innovation. It's the same vision that's driven Goodyear to engineer farm tyres for almost a century. Agricultural products in their OTR and Goodyear Farm Tire brands start with feedback that comes directly from the field.

It's how they developed the innovative LSW® (Low Sidewall) technology that's redefining expectations for agricultural tyres around the world. They offer a full lineup of agricultural tyres for a variety of equipment types - including tractors, combines, grain carts, and sprayers.



ACRONYMS OF AGRICULTURAL TYRES

As farm equipment manufacturers continue to introduce larger, heavier and more powerful equipment each year, the space in which to fit the tyre has not changed. This has necessitated that the tyre industry move toward new technologies that allow the same size tyre to carry heavier loads at lower inflation pressures. The result? **More tyre acronyms.**

	TRA TYRE & RIM ASSOCIATION	IF INCREASED FLEXION	VF VERY HIGH FLEXION	CFO CYCLICAL FIELD OPERATION	LSW [®] LOW SIDEWALL
Description	The standardizing body for the tyre, rim, valve & allied parts industry in the United States. Called for IF/VF/CFO being standard across all brands	Carries 20% higher loads at same inflation pressure as standard tyres or same loads at 20% lower inflation pressure as standard tyres.	Carries 40% higher loads at same inflation pressure as standard tyres or same loads at 40% lower inflation pressure as standard tyres.	Handles 55% higher loads when traveling less than 10 mph, for use on combines and grain carts.	Larger rim diameter than standard tyres, meets TRA standards for VF/CFO in terms of load/inflation capabilities.
Benefit		Reduces soil compaction when properly inflated.	Reduces soil compaction when properly inflated.	Reduces soil compaction & reduces need to adjust inflation during significant changes in weight during harvest.	Reduces soil compaction when properly inflated, minimizes road lope & power hop regardless of inflation pressures.
Caveats		Only effective if pressure is adequately maintained by application & weight, increased flex can cause problems with road lope & power hop quality if inflation is not maintained.	Only effective if pressure is adequately maintained by application & weight, increased flex can cause problems with road lope & power hop quality if inflation is not maintained.	Compaction reduction gains are only realized if proper inflation pressures are maintained.	Requires appropriate size of wheel.
Brand		Goodyear Farm Tires, Uniglory	Goodyear Farm Tires, Uniglory	Goodyear Farm Tires, Uniglory	Goodyear Farm Tires, Uniglory



TYRE DESIGNATION CHART

CODE	APPLICATION	TREAD	SERVICE
I-1	Implement Tyres	Ribbed - Multi	Free Rolling Wheels
I-2	Implement Tyres	Ribbed - Moderate Traction	Free Rolling or Drive Wheels
I-3	Implement Tyres	Traction - LOM / R-4	Drive Wheels
F-1	Front Tractor Tyres	Agricultural Single Rib	Rice / Cane
F-2	Front Tractor Tyres	Agricultural Tri Rib	General Farm Work - Grip
F-2M(A)	Front Tractor Tyres	Agricultural Multi Rib	General Farm Work - Flotation
F-3	Front Tractor Tyres	Industrial Multi Rib	Light Industrial Service
HF-1	High Flotation Tyres	Shallow - Ribbed	Turf
HF-2	High Flotation Tyres	Regular - Lugged	General Farm Work
HF-3	High Flotation Tyres	Deep - Lugged	Moist to Wet Soil
HF-4	High Flotation Tyres	Extra Deep - Lugged	Wet to Soft Soil / Logging
R-1	Rear Tractor Tyres (Drive)	Regular Tread	General Farm Work
R-1W	Rear Tractor Tyres (Drive)	Deep Tread	Moist to Wet Soil
R-2	Rear Tractor Tyres (Drive)	Extra Deep	Wet Soft Soil - Cane / Rice
R-3	Rear Tractor Tyres (Drive)	Shallow - Diamond / Block	Sandy or Turf - Golf Courses / Orchards
R-4	Rear Tractor Tyres (Drive)	Intermediate - LOM	Industrial Tractor / Construction
LS-2	Logging Tyres	Intermediate	Logging / Forestry
C-1	Compactor Tyres	Smooth	Road Compactor
C-7	Compactor Tyres	Diamond/Block	Road Compactor
E-3	Earthmover Tyres	Standard Depth - Traction	Rock Design
E-4	Earthmover Tyres	1.5 x Standard Depth - Traction	Rock Design - Additional Resistance & Life
E-7	Earthmover Tyres	Ribbed - Flotation	Flotation - Soft / Sandy - Asphalt
G-2	Loader / Dozer Tyres	Standard Depth - Traction	Traction - Graders (speed up to 40kph)
L-2	Loader / Dozer Tyres	Standard Depth - Traction	Traction - Loaders (speed up to 10kph) - Soft / Sandy Conditions
L-3	Loader / Dozer Tyres	Standard Depth - Traction	Rock Design
L-4	Loader / Dozer Tyres	1.5 x Standard Depth - Traction	Rock Design - Additional Resistance & Life
L-5	Loader / Dozer Tyres	2.5 x Standard Depth - Traction	Rock Design - Ultimate Resistance & Life
L-5S	Loader / Dozer Tyres	2.5 x Standard Depth - Smooth	Smooth Design - Cut Chip Resistance in Rock Conditions



LOAD INDEX

The **Load Index (LI)** is the numerical number which corresponds to the maximum load a tyre can carry at the speed indicated by the **Speed Symbol (SS)**, under conditions of use specified by the manufacturer. The **Speed Symbol (SS)** indicates the maximum speed a tyre should travel with respect to the **Load Index (LI)**, under conditions specified by the manufacturer.

LI	KG
40	140
41	145
42	150
43	155
44	160
45	165
46	170
47	175
48	180
49	185
50	190
51	195
52	200
53	206
54	212
55	218
56	224
57	230
58	236
59	243
60	250
61	257
62	265
63	272
64	280
65	290
66	300
67	307
68	315
69	325
70	335
71	345
72	355
73	365
74	375

LI	KG
75	387
76	400
77	412
78	425
79	437
80	450
81	462
82	475
83	487
84	500
85	545
86	530
87	545
88	560
89	580
90	600
91	615
92	630
93	650
94	670
95	690
96	710
97	730
98	750
99	775
100	800
101	825
102	850
103	875
104	900
105	925
106	950
107	975
108	1,000
109	1,030

LI	KG
110	1,060
111	1,090
112	1,120
113	1,150
114	1,180
115	1,215
116	1,250
117	1,285
118	1,320
119	1,360
120	1,400
121	1,450
122	1,500
123	1,550
124	1,600
125	1,650
126	1,700
127	1,750
128	1,800
129	1,850
130	1,900
131	1,950
132	2,000
133	2,060
134	2,120
135	2,180
136	2,240
137	2,300
138	2,360
139	2,430
140	2,500
141	2,575
142	2,650
143	2,725
144	2,800

LI	KG
145	2,900
146	3,000
147	3,075
148	3,150
149	3,250
150	3,350
151	3,450
152	3,550
153	3,650
154	3,750
155	3,875
156	4,000
157	4,125
158	4,250
159	4,375
160	4,500
161	4,625
162	4,750
163	4,875
164	5,000
165	5,150
166	5,300
167	5,450
168	5,600
169	5,800
170	6,000
171	6,150
172	6,300
173	6,500
174	6,700
175	6,900
176	7,100
177	7,300
178	7,500
179	7,750

It is imperative - Do not exceed the maximum permitted speed of the tyre. Do not exceed the maximum permitted distance in one hour indicated in the tables of tyre's characteristics. At the time of fitting, it is vital that the various markings be verified, in order to be certain that the tyre is suitable for operation at the maximum allowed vehicle speed and load.

LI	KG
180	8,000
181	8,250
182	8,500
183	8,750
184	9,000
185	9,250
186	9,500
187	9,750
188	10,000
189	10,300
190	10,600
191	10,900
192	11,200
193	11,500
194	11,800
195	12,150
196	12,500
197	12,850
198	13,200
199	13,600
200	14,000
201	14,500
202	15,000
203	15,500
204	16,000
205	16,500
206	17,000
207	17,500
208	18,000
209	18,500
210	19,000
211	19,500
212	20,000
213	20,600
214	21,200

LI	KG
215	21,800
216	22,400
217	23,000
218	23,600
219	24,300
220	25,000
221	25,750
222	26,500
223	27,250
224	28,000
225	29,000
226	30,000
227	30,750
228	31,500
229	32,500
230	33,500
231	34,500
232	35,500
233	36,500
234	37,500
235	38,750
236	40,000
237	41,250
238	42,500
239	43,750
240	45,000
241	46,250
242	47,500
243	48,750
244	50,000
245	51,500
246	53,000
247	54,500
248	56,000
249	58,000

LI	KG
250	60,000
251	61,500
252	63,000
253	65,000

LI	KG
254	67,000
255	69,000
256	71,000
257	73,000

SPEED SYMBOL	MAX SPEED KPH	MAX SPEED MPH
A1	5	2.5
A2	10	5
A3	15	10
A4	20	12.5
A5	25	15
A6	30	20
A7	35	22.5
A8	40	25
B	50	30
C	60	35
D	65	40
E	70	43
F	80	50
G	90	55
J	100	62
K	110	68
L	120	75
M	130	81
N	140	87
P	150	
Q	160	
R	170	
S	180	
T	190	
U	200	
H	210	
V	240	
W	270	
Y	300	

This chart is intended as a guide only. Consult the manufacturers technical data before recommending changes. Please note that some alternatives may require new wheels.

CONVERSION CHART

RIM DIA	STD SERIES	NARROW			STANDARD			WIDE			EXTRA WIDE			FLOTATION		
		95	90	85	80	75	70	65	60	65	60	55	50	45		
15.3	10.0/75-15.3						260/70-15.3									
	11.5/80-15.3				300/80-15.3											
	12.5/80-15.3				320/80-15.3											
16	6.00-16		180/90-16				240/70-16									
	6.50-16		190/90-16				260/70-16	10.5/65-16								
	7.00-16		200/90-16													
	7.50-16		210/95-16													
18	7.50-18		210/95-18				280/70-18	320/65-18								
	7.50-20				250/80-18		280/70R20				40/55-17.5					
20	9.5R20				260/80R20		300/70R20									
	11.2R20				280/85R20		320/70R20									
	12.4R20				320/85R20	375/75R20	360/70R20	420/65R20								
	13.6R20						380/70R20									
24	8.3R24				335/80R18											
	9.5R24				335/80R20											
	11.2R24						320/70R24									
	12.4R24				280/85R24		360/70R24	420/65R24			400/60-26.5					
	13.6R24				320/85R24		380/70R24	440/65R24								
26	14.9R24		230/95R32		380/85R24		420/70R24	480/65R24								
	16.9R24		270/95R32		420/85R24		480/70R24	540/65R24								
	16.9R26						480/70R26									
	23.1R26					620/75R26										
28	11.2R28				280/85R28		320/70R28	440/65R24								
	12.4R28		230/95R32		320/85R28		360/70R28				500/60-26.5					
	13.6R28		270/95R32		340/85R28		380/70R28	440/65R28								
	14.9R28		230/95R36		380/85R28		420/70R28	480/65R28								
	16.9R28		270/95R36		420/85R28		480/70R28	540/65R28								

RIM / D/A	STD SERIES	NARROW			STANDARD			WIDE			EXTRA WIDE			FLOTATION				
		95	90	85	80	75	70	65	60	65	60	55	50	45				
30	14.9R30			380/85R30				420/70R30	540/65R28									
	16.9R30	270/95R38		420/85R30				480/70R30	540/65R30 600/65R28			600/60-30.5					750/45-30.5	
	18.4R30	210/95R44		460/85R30				520/70R30 600/70R28									750/50-30.5	
32	24.5R32					650/75R32												
	30.5LR32								800/65R32									
34	14.9R34			380/85R34														
	16.9R34	230/95R44		420/85R34				480/70R34 600/70R30	540/65R34									
	18.4R34	270/95R44		460/85R34				520/70R34	650/65R34								800/50-34	710/55-34 800/55-30.5
36	20.8R34																	
	12.4R36			320/85R36				480/70R30	540/65R30 600/65R30									
	13.6R36	210/95R44		340/85R36														
38	12.4R38			320/85R38														
	13.6R38			340/85R38				600/70R30	540/65R34									
	14.9R38	270/95R44		380/85R38					600/65R34									
42	16.9R38	230/95R48		420/85R38				480/70R38 600/70R34	540/65R38									
	18.4R38	270/95R38 300/95R46		460/85R38				520/70R38	600/65R38									
	20.8R38		380/90R46	520/85R38				580/70R38	650/65R38 800/65R42 800/65R32								850/50-38	
46	18.4R42			480/80R42					600/65R42									
	20.8R42			520/85R42				580/70R42 620/70R42 710/70R38										
46	18.4R46						480/80R46											
	20.8R46			520/85R46 650/85R38				710/70R42 800/70R38										

TYRE SIZES

6"

PART NUMBER	SIZE	DESCRIPTION	PLY/LI	SS	TT/TL	CC	PSI	SW	OD	RC	OTD	RW
TA00938	13/5.00-6	WANDA TL P-512 TURF	4 PLY		TL	200	40	128	315		4.5	4.50
TA00939	15/6.00-6	WANDA TL P-512 TURF	4 PLY		TL	258	30	160	380		4.5	4.50



P-512

8"

PART NUMBER	SIZE	DESCRIPTION	PLY/LI	SS	TT/TL	CC	PSI	SW	OD	RC	OTD	RW
TA03364	4.80-8	TITAN SPORT TRAX	C	G	TL	345	90	125	422	1,270	5	3.75
TA04455	16/6.50-8	WANDA P-328 R-1	4 PLY		TL	279	28	162	418		12	5.375
TA04456	16/6.50-8	WANDA P-332	8 PLY	A3	TL	430	58	168	415	1,192	7.1	5.375
TA01448	16/6.50-8	WANDA P-332 TURF	4 PLY		TL	281	28	162	418		12	5.375
TA01449	18/8.50-8	WANDA P-332 TURF	6 PLY		TL	300	30	215	457			7.00
TA02953	18/9.50-8	WANDA P-328 R-1	6 PLY		TL	300	30	240	457			7.00
TA01450	20/10.00-8	WANDA P-512 TURF	4 PLY		TL	544	22	253	505		6	6.00
TA02739	22/11.00-8	WANDA P-334 ATV	6 PLY		TL	450	24	280	560			8.00



SPORT TRAX



P-328



P-332



P-334



P-512

9"

PART NUMBER	SIZE	DESCRIPTION	PLY/LI	SS	TT/TL	CC	PSI	SW	OD	RC	OTD	RW
TA00994	6.00-9	WANDA P-810 HIGHWAY	10 PLY		TT	2,100	85	176	531		5	4.00
TA07195	6.00-9	MARCHER W-9C IND SET	10 PLY		TT	1,150	125	160	540		11	4E



P-810



W-9C

PART NUMBER	SIZE	DESCRIPTION	PLY/LI	SS	TT/TL	CC	PSI	SW	OD	RC	OTD	RW
TA02756	18/8.50-10 NHS	TITAN TRU-POWER II	4 PLY	A3	TL	378	22	198	470	1,422	12.7	7.00
TA02758	18/8.50-10 NHS	TITAN TRAC LOADER R-4	4 PLY	A2	TL	378	22	191	450	1,346	12.7	7.00
TA01193	20/8.00-10 NHS	TITAN HD 2000 II	4 PLY	A2	TL	550	40	208	490	1,448	12	9.60
TA03382	20.5/8.00-10	TITAN SPORT TRAX	E	G	TL	691	90	206	523	1,550	7	6.00
TA03369	22/8.00-10 AT	TITAN FAST TREKKER ATV	3*	B	TL	125	7	209	554	1,651	13	6.50
TA03370	22/11.00-10 AT	TITAN 489 X/T ATV	6 PLY	B	TL	175	7	270	562	1,651	15	9.00
TA03372	25/12.00-10 AT	TITAN 589 M/T ATV	6 PLY	B	TL	225	7	292	645	1,880	28	8.00

10"



PART NUMBER	SIZE	DESCRIPTION	PLY/LI	SS	TT/TL	CC	PSI	SW	OD	RC	OTD	RW
TA03373	23/8.00-11 AT	TITAN 489 X/T ATV	6 PLY	B	TL	91	7	193	597	1,778	15	6.50
TA03375	24/10.00-11 AT	TITAN 489 X/T ATV	6 PLY	B	TL	180	7	257	612	1,778	15	7.00

11"



PART NUMBER	SIZE	DESCRIPTION	PLY/LI	SS	TT/TL	CC	PSI	SW	OD	RC	OTD	RW
TA03037	20.5/50-12	TITAN PLANTER I-1 IMPLEMENT	4 PLY	B	TL	340	36	148	524	1,550	6.5	4.00
TA02167	23/8.50-12 NHS	TITAN COMMERCIAL MULTI-TRAC C/S	6 PLY	A3	TL	655	34	211	574	1,676	9.5	7.00
TA02168	23/10.50-12 NHS	TITAN COMMERCIAL MULTI-TRAC C/S	6 PLY	A3	TL	800	32	264	574	1,651	9.5	8.50
TA00965	26/12.00-12	SUPERGRIP R-1	8 PLY	B	TL	659	50	301	659			10.50
TA02964	26/12.00-12	WANDA P-332 TURF	4 PLY		TL	807	50	312	650		9.8	10.50

12"



TYRE SIZES

13"

PART NUMBER	SIZE	DESCRIPTION	PLY/LI	SS	TT/TL	CC	PSI	SW	OD	RC	OTD	RW
TA01094	155R13 C	HAIDA HD612	85/83	S	TL			155				4.50



HD612

14"

PART NUMBER	SIZE	DESCRIPTION	PLY/LI	SS	TT/TL	CC	PSI	SW	OD	RC	OTD	RW
TA01705	7-14	TITAN HI-TRAC LUG R-1	6 PLY	A6	TL	450	36	170	699	2,108	26.5	6.00
TA07445	7-14	MARCHER QZ-702 R-1	6 PLY	A6	TT	700	60	180	700	2,045	22	5F
TA01772	23/8.50-14 NHS	TITAN TRAC LOADER R-4	4 PLY	A2	TL	677	35	198	592	1,803	11	7.00
TA06595	11L-14 SL	GOODYEAR FARM UTILITY	8 PLY		TL	1,120	36	10.2	840	2,184	6.5	10.60



HI-TRAC LUG



QZ-702



TRAC LOADER



FARM UTILITY

15"

PART NUMBER	SIZE	DESCRIPTION	PLY/LI	SS	TT/TL	CC	PSI	SW	OD	RC	OTD	RW
TA01714	7.60-15 SL	TITAN DURA LIFE I-1	8 PLY	B	TL	1,064	52	214	787	2,337	6.5	5.50
TA01713	9.5L-15 SL	TITAN HI FLOTATION I-1	12 PLY	B	TL	1,455	64	249	767	2,261	9	7.00
TA05758	9.5L-15 SL	MARCHER QZ-709 I-1	12 PLY		TT/TL	1,510	52	240	765		6	8LB
TA07109	9.5L-15 SL	GRI EX I100	8 PLY	D	TL	1,120	52	240	765		6	8LB
TA02747	11L-15 SL	TITAN HI FLOTATION I-1	18 PLY	D	TL	1,900	80	274	787	2,337	9	8.00
TA04072	11L-15 SL	MULTISTAR I-1 IMPLEMENT RIB	10 PLY	D	TL	1,320	44	270	770	2,256	10	8LB
TA04245	11L-15 SL	MULTISTAR F3	12 PLY		TL	1,150	61	279	813	2,430	10	8LB
TA05659	11L-15 SL	MARCHER IMPT F-3	10 PLY	A6	TL	1,190	50	280	810	2,370	13.5	8LB
TA07107	11L-15 SL	GRI EXI100	12 PLY	D	TL	1,120	52	240	765		6	8LB
TA07460	11L-15 SL	ADVANCE F1 HIGHWAY I-L	12 PLY	J	TT	1,796	90	279	777		9.5	8.00
TA01775	13.50-15 FI	TITAN HIGHWAY IMPLEMENT F-1		G	TL	2,064	75	343	808	2,438	9	10.00
TA02084	25/7.50-15	TITAN HIGHWAY IMPLEMENT F-1	6 PLY	B	TL	555	30	198	632	1,880	6.5	5.50
TA02611	27/8.50	TITAN COMMERCIAL MULTI-TRAC C/S	6 PLY	B	TL	715	45	214	678	2,007	9	7.00
TA03030	27/8.50	TITAN SKID STEER HD2000	8 PLY	A2	TL	1,315	60	219	681	2,057	12	7.00
TA07553	11L-15	UNIGLORY FIELDMASTER	12 PLY	B	TL			279	777	2,330		8

PART NUMBER	SIZE	DESCRIPTION	PLY/LI	SS	TT/TL	CC	PSI	SW	OD	RC	OTD	RW
TA01651	27/9.50	TITAN FLO-TRAC RIB HF-1	8 PLY	B	TL	864	60	241	678	2,007	7.5	7.00
TA02097	27/10.50-15 NHS	TITAN COMMERCIAL MULTI-TRAC C/S	4 PLY	B	TL	600	30	259	683	2,083	10	8.50
TA02096	27/10.50-15 NHS	TITAN TRAC LOADER R-4	6 PLY	A2	TL	1,186	45	279	698	2,083	13.5	8.50
TA06820	28/8.50-15	TITAN MULTI-TRAC C/S	6 PLY		TL	850	45	221	711	2,114	9	7JA
TA07127	29/12.50-15 NHS	TITAN MULTI TRAC C/S	8 PLY		TL	975	45	310	739	2,210	9.5	10.00
TA01934	31/13.50-15 NHS	TITAN COMMERCIAL MULTI-TRAC C/S	8 PLY	B	TL	1,182	45	353	800	2,388	9.6	10.00
TA07871	31/13.50-15SL	UNIGLORY I-1	8 PLY		TL			419	1,024	3,060	10	W14C
TA04463	31/15.50-15	MULTISTAR R1-AW	8 PLY		TL	1,450	59	391	792	2,300	20	13LB
TA05224	31/15.50-15	MARCHER SKS LOM	10 PLY		TL	1,680	59	391	792		19	13LB
TA02283	36/13.50-15 NHS	TITAN COMMERCIAL MULTI-TRAC C/S	4 PLY	B	TL	1,182	20	381	914	2,692	9.6	10.00

15"



PART NUMBER	SIZE	DESCRIPTION	PLY/LI	SS	TT/TL	CC	PSI	SW	OD	RC	OTD	RW
TA03976	10.0/75-15.3	MULTISTAR IMP-01 FLOTATION	18 PLY		TL	2,360	109	264	760		10	9.00
TA05289	10.0/75-15.3	MARCHER IMPT F-3	18 PLY	A8	TL	2,350	80	265	710	2,080	9	9.00
TA07163	10.0/75-15.3	MULTISTAR MPT-01 R1	14 PLY	A8	TL	1,650	63	391	760	2,285	22	13LB
TA05510	10.0/75-15.3	MARCHER INTR1 R-1	10 PLY		TL	1,525	59	264	760		9	9.00
TA04249	11.5/80-15.3	MULTISTAR MPT-01	14 PLY	A8	TL	2,430	69	290	865	2,540	24	9.00
TA03976	10.0/75-15.3	MULTISTAR IMP-01 FLOTATION	18 PLY		TL	2,360	109	264	760		10	9.00
TA05289	10.0/75-15.3	MARCHER IMPT F-3	18 PLY	A8	TL	2,350	80	265	710	2,080	9	9.00
TA07163	10.0/75-15.3	MULTISTAR MPT-01 R1	14 PLY	A8	TL	1,650	63	391	760	2,285	22	13LB
TA05510	10.0/75-15.3	MARCHER INTR1 R-1	10 PLY		TL	1,525	59	264	760		9	9.00
TA04249	11.5/80-15.3	MULTISTAR MPT-01	14 PLY	A8	TL	2,430	69	290	865	2,540	24	9.00

15.3"

TYRE SIZES

15.3"

PART NUMBER	SIZE	DESCRIPTION	PLY/LI	SS	TT/TL	CC	PSI	SW	OD	RC	OTD	RW
TA05293	11.5/80-15.3	MARCHER IMPT F-3	18 PLY		TL	2,760	74	290	845		10	9.00
TA03979	11.5/80-15.3	MULTISTAR MPT-01 FLOTATION	18 PLY	A8	TL	2,725	88	290	845	2,473	10	9.00



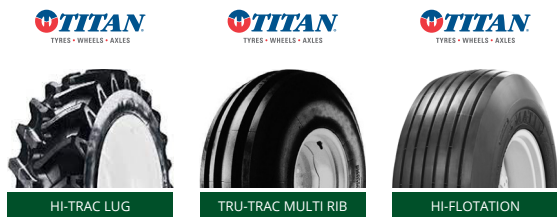
15.5"

PART NUMBER	SIZE	DESCRIPTION	PLY/LI	SS	TT/TL	CC	PSI	SW	OD	RC	OTD	RW
TA03996	400/60-15.5	MULTISTAR TRC-02	14 PLY		TL	2,900	52	400	910	2,564	10	13.00
TA05056	400/60-15.5	MARCHER IMPT F-3	14 PLY	A8	TL	2,725	71	400	875	2,560	12	AG13
TA07032	400/60-15.5	GRI EX FL700	18 PLY		TL	3,875	90	400	875	2,564	20	13.00



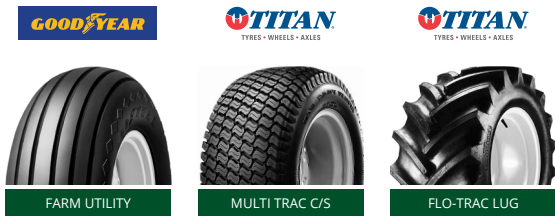
16"

PART NUMBER	SIZE	DESCRIPTION	PLY/LI	SS	TT/TL	CC	PSI	SW	OD	RC	OTD	RW
TA01706	7-16	TITAN HI-TRACTION LUG R-1	6 PLY	A6	TL	500	36	186	744	2,210	27	6.00
TA01707	8-16	TITAN HI-TRACTION LUG R-1	6 PLY	A6	TL	618	28	203	775	2,311	25	6.00
TA01708	9.5-16	TITAN HI-TRACTION LUG R-1	6 PLY	A6	TL	632	30	241	846	2,540	32	8.00
TA01654	10.00-16 SL	TITAN TRU-TRAC MULTI RIB F-2M	8 PLY	A8	TL	1,064	44	285	902	2,667	22	8.00
TA01160	12.5-16 SL	TITAN HI-FLOTATION I-1	14 PLY	B	TT	1,900	56	302	810	2,413	9	10.00



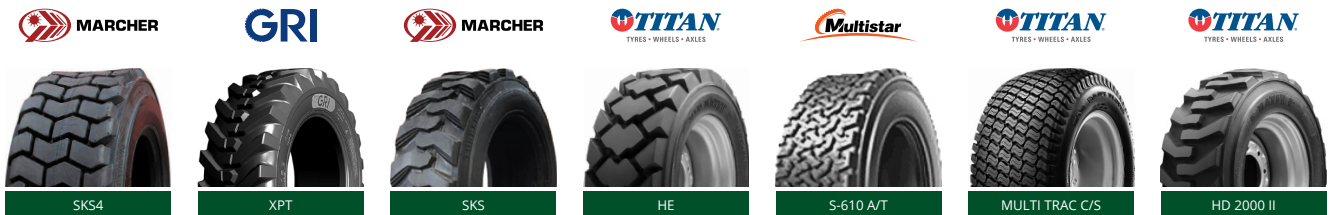
PART NUMBER	SIZE	DESCRIPTION	PLY/LI	SS	TT/TL	CC	PSI	SW	OD	RC	OTD	RW
TA07112	14L-16.1 SL	GOODYEAR FARM UTILITY	14 PLY		TL	2,358	52	356	942	2,616	9	W11C
TA02767	21.5L-16.1 SL	TITAN COMMERCIAL MULTI TRAC C/S	4 PLY	B	TL	1,600	12	546	1,133	3,430	19	18.00
TA02284	35/19.00-16.1	TITAN FLO-TRAC LUG HF-2	12 PLY	B	TL	1,900	55	452	889	2,642	32	16.00

16.1"



PART NUMBER	SIZE	DESCRIPTION	PLY/LI	SS	TT/TL	CC	PSI	SW	OD	RC	OTD	RW
TA05515	10-16.5	MARCHER SKS4 L-4	10 PLY		TL	2,135	75	264	773		27	8.25
TA06750	10-16.5	MARCHER SAND RIB HIGHWAY	10 PLY	A2	TL	2,135	75	264	773	2,260	12	8.25
TA07130	10-16.5	GRI XPT R-4 LOM SKID STEER	10 PLY	A2	TL							
TA05297	10-16.5	MARCHER SKS LOM	10 PLY	A2	TL	2,135	75	264	773	2,260	19	8.25
TA02633	12-16.5 NHS	TITAN SKID STEER HE	14 PLY	A2	TL	3,082	90	310	831	2,464	35	9.75
TA04115	33/12-16.5	MULTISTAR S-610 A/T	8 PLY		TL	2,180	49	310	840	2,478	14	9.75
TA02768	33/12.50-16.5 NHS	TITAN COMMERCIAL MULTI TRAC C/S	4 PLY	B	TL	1,050	30	315	830	2,490	9.5	10.00
TA02630	33/15.50-16.5 NHS	TITAN SKID STEER HD 2000 II	14 PLY	A2	TL	3,400	70	394	838	2,489	20	12.00

16.5"



PART NUMBER	SIZE	DESCRIPTION	PLY/LI	SS	TT/TL	CC	PSI	SW	OD	RC	OTD	RW
TA05504	19.0/45-17	MARCHER IMPT7 F-3 (480/45-17)	18 PLY		TL	4,000	65	491	886		12	16.00

17"



TYRE SIZES

17.5"

PART NUMBER	SIZE	DESCRIPTION	PLY/LI	SS	TT/TL	CC	PSI	SW	OD	RC	OTD	RW
TA04246	14-17.5	MULTISTAR SKS	14 PLY		TL	3,875	80	349	921	2,720	19	10.50
TA05509	14-17.5	MARCHER SKS LOM	14 PLY		TL	3,875	80	349	921		20	10.50



SKS



SKS

18"

PART NUMBER	SIZE	DESCRIPTION	PLY/LI	SS	TT/TL	CC	PSI	SW	OD	RC	OTD	RW
TA03978	10.5/80-18	MULTISTAR R-4 LOM	12 PLY		TL	3,875	80	349	921	2,720	19	10.50
TA03983	12.5/80-18	MULTISTAR IMP-01 FLOTATION	16 PLY	A8	TL	3,350	97	308	965	2,827	10	11.00
TA03984	12.5/80-18	MULTISTAR R-4 LOM	14 PLY	A6	TL	2,120	62	308	987	2,892	25	11.00
TA06097	12.5/80-18	MARCHER SLR4A R-4 LOM	12 PLY		TL	2,625	54	308	965		27	W9
TA05726	12.5/80-18	MARCHER IMPT F-3	16 PLY		TL	3,350	71	307	965		11	W9
TA04074	13.0/65-18	MULTISTAR IMP-01 FLOTATION RIB	16 PLY		TL	2,800	97	336	890	2,608	10	11.00
TA05379	13.0/65-18	MARCHER IMPT F-3	16 PLY		TL	2,750	71	336	890		11	11.00



R-4



IMP-01



SLR4A



IMPT F-3

19.5"

PART NUMBER	SIZE	DESCRIPTION	PLY/LI	SS	TT/TL	CC	PSI	SW	OD	RC	OTD	RW
TA04247	15-19.5	MULTISTAR SKS	14 PLY		TL	4,565	70	389	1,019	3,010	21	11.75
TA04366	15-19.5	TITAN NHS CONTRACTOR FWD	8 PLY		TL	3,280	40	389	1,019	3,022		11.75



SKS



CONTRACTOR FWD

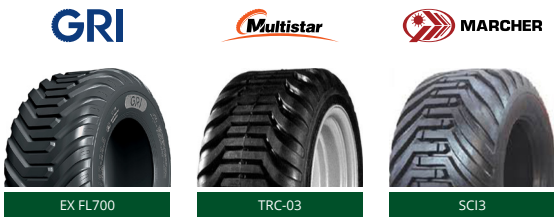
PART NUMBER	SIZE	DESCRIPTION	PLY/LI	SS	TT/TL	CC	PSI	SW	OD	RC	OTD	RW
TA04396	9.5-20	MULTISTAR R-1	8 PLY		TL	955	40	240	955	2,800	40	W7
TA05221	405/70-20	MARCHER INTR4 R-4 (16/70-20)	14 PLY		TL	1,525	56.5	264	760		30	9.00
TA07463	38/18.00-20	ADVANCE R-1	12 PLY		TL	1,320		456		2,890		14.00
TA02218	41/14.00-20 NHS	TITAN COMMERCIAL MULTI TRAC C/S	4 PLY	D	TL	1,400	25	356	1,077	3,404	17.5	11.0
TA02217	44/18.00-20 NHS	TITAN COMMERCIAL MULTI TRAC C/S	4 PLY	D	TL	1,555	20	472	1,143	3,404	20	14.0

20"



PART NUMBER	SIZE	DESCRIPTION	PLY/LI	SS	TT/TL	CC	PSI	SW	OD	RC	OTD	RW
TA07033	500/45-22.5	GRI EX FL700	16 PLY		TL	3,750	52	500	1,044	3,750	19	16.00
TA04035	500/60-22.5	MULTISTAR TRC-03	18 PLY	A8	TL	3,650	52	500	1,170	3,489	21	16.00
TA07132	500/60-22.5	GRI EX FL700	16 PLY		TL	4,875	46	500	1,171	3,200	26.5	16.00
TA03999	550/60-22.5	MULTISTAR 167A6 TRC-03	16 PLY	A8	TL	3,750	41	550	1,238	3,725	25	16.00
TA06205	600/50-22.5	MARCHER SCI3 I-3	18 PLY		TL	4,875	46	500	1,172		25	16.00
TA00992	600/50-22.5	GRI EX FL700	18 PLY		TL	5,450	42	599	1,171	3,505	26.5	20.00

22.5"



TYRE SIZES

24"

PART NUMBER	SIZE	DESCRIPTION	PLY/LI	SS	TT/TL	CC	PSI	SW	OD	RC	OTD	RW
TA01628	9.00-24 SL	TITAN DURA LIFE I-1	8 PLY	A8/B	TL	1,600	40	267	1,074	3,175	8	8.00
TA01648	11.2-24	TITAN HI-TRACTION LUG R-1	8 PLY	A8	TL	1,155	36	300	1,107	3,302	34	10.00
TA05174	11.2-24	MARCHER QZ-702 R-1	8 PLY		TT	1,225	35	285	1,105		33	W10
TA01640	11.25-24 SL	TITAN DURALIFE I-1	8 PLY	A8/B	TL	1,855	32	320	1,161	3,658	9	10.00
TA05381	12.4-24	MARCHER QZ-702 R-1	10 PLY		TT	1,630	40	315	1,160		38	W11
TA03981	12.4-24	MULTISTAR R-1 & TUBE SET	8 PLY		TT	1,450	34	315	1,160	3,410	35	W9
TA01655	14.9-24	TITAN TORC-TRAC R-3	8 PLY	A8	TL	1,600	26	387	1,230	3,658	22	13.00
TA07449	14.9-24	MARCHER FLR3 R-3	8 PLY	A8	TL	1,760	26	378	1,265	3,735	35	W13
TA03989	14.9-24	MULTISTAR R-1	10 PLY		TT			378				
TA05691	14.9-24	MARCHER QZ-702 R-1	10 PLY	A6	TL	1,990	35	378	1,265	3,700	26	W13
TA03987	15.5/80-24	MULTISTAR R-1 (400/80-24)	14 PLY		TT	4,500	70	384	1,262	3,655	37	W12
TA05303	15.5/80-24	MARCHER TIMP R-1 (400/80-24)	16 PLY	A6	TL	3,300	58	394	1,240	3,625	35	W13
TA04117	405/70-24	MULTISTAR INDUSTRIAL R-1 (16/70-24)	14 PLY		TL	3,550	51	405	1,185	3,512	37	13.00
TA05294	405/70-24	MARCHER INTR4 R-4 (16/70-24)	14 PLY		TL	3,750	51	410	1,075		30	13.00
TA07014	280/85R24	GRI XLR 85	115	A8/B	TL	1,215	23	292	1,086	3,224	41	W10
TA07869	280/85R24	UNIGLORY SMARTAGRO R-1W	115/112	A8/B	TL			282	1,086	3,276	42	W10
TA07444	320/85R24	GRI GREEN XLR 85 R1W	122	A8/B	TL	1,500	23	329	1,154	3,424	42	W11
TA07872	320/85R24	UNIGLORY SMARTAGRO R-1W	122/119	A8/B	TL			319	1,154	3,465	43	W11
TA05436	340/85R24	MARCHER TRACPRO 668 R-1	125/122	A8/B	TL	1,650	23	353	1,188		45	W12
TA07015	340/85R24	GRI XLR 85	125	A8/B	TL	1,650	23	353	1,188	3,540	44	W12
TA07873	340/85R24	UNIGLORY SMARTAGRO R-1W	125/122	A8/B	TL			343	1,188	3,547	44	W12
TA07001	360/70R24	GRI XLR 65	122	A8/B	TL	1,500	23	357	1,152	3,400		W11
TA07874	360/70R24	UNIGLORY SMARTAGRO R-1W	122/125	A8/B	TL			357	1,152	3,425	42	W11
TA07002	380/70R24	GRI XLR 70	125	A8/B	TL	1,650	23	380	1,190	3,560	42	W12
TA07875	380/70R24	UNIGLORY SMARTAGRO R-1W	125/128	A8/B	TL			380	1,190	3,560	43	W12
TA07877	380/85R24	UNIGLORY SMARTAGRO R-1W	131/128	A8/B	TL			380	1,256	3,750	45	W12
TA05440	420/70R24	MARCHER TRACPRO 668 R-1	130	A8/B	TL	1,900	23	415	1,253			W13
TA07004	420/70R24	GRI XLR 70	130	A8/B	TL	1,900	23	418	1,248	3,680	44	W13
TA07880	420/70R24	UNIGLORY SMARTAGRO R-1W	130/133	D/A8	TL			418	1,248	3,705	44	W13
TA07018	420/85R24	GRI XLR 85	137	A8/B	TL	2,300	23	438	1,324	3,900		W15L
TA07881	420/85R24	UNIGLORY SMARTAGRO R-1W	137/134	A8/B	TL			418	1,324	3,970	48	W15L
TA07131	480/65R24	GRI XLR 65	140/143	D/A8	TL	2,500	35	479	1,234	3,730	49	W15L



PART NUMBER	SIZE	DESCRIPTION	PLY/LI	SS	TT/TL	CC	PSI	SW	OD	RC	OTD	RW
TA07885	480/65R24	UNIGLORY SMARTAGRO R-1W	133/136	D/A8	TL			479	1,234	3,764	45	W15L
TA07890	480/70R24	UNIGLORY SMARTAGRO R-1W	138/141	D/A8	TL			479	1,316	3,875	46	W15L
TA07133	540/65R24	GRI XLR 65	149/152	D/A8	TL	3,250	35	530	1,413	4,253	50	W16L
TA01927	16.00-24	TITAN SAND FLOTATION E-7	182	A2	TL	8,482	44	478	1,460	4,033	50	W10
TA02772	16.9-24	TITAN HI-TRACTION LUG R-1	8 PLY	A8	TL	1,855	24	452	1,346	3,988	11	15.00
TA01785	16.9-24	TITAN TORC TRAC R-3	8 PLY	A8	TL	1,855	24	450	1,306	3,835	38	15.00
TA03990	16.9-24	MULTISTAR R-4 LOM	12 PLY		TL	3,250	38	440	1,310	3,845	22	DW15
TA05300	16.9-24	MARCHER SLR4 R-4 LOM	12 PLY		TL	3,250	62	430	1,335		25	W15L
TA07450	16.9-24	MARCHER FLR3 R-3	8 PLY	A8	TL	2,100	26	430	1,335	3,900	26	W15L
TA05124	19.5L-24	TITAN INDUSTRIAL TRACTOR LUG R-4	12 PLY		TL	2,994	28	493	1,316	3,880	20	16.00
TA07454	19.5L-24	MARCHER SLR4 R4	12 PLY		TL	3,450	33	495	1,314		27	W16L

24"



PART NUMBER	SIZE	DESCRIPTION	PLY/LI	SS	TT/TL	CC	PSI	SW	OD	RC	OTD	RW
TA07453	18.00-25	MARCHER W-12	16 PLY	E-7	TL	4,375	36	470	1,557		14	10.00
TA07455	21.00-25	MARCHER W-12A	32 PLY	E-7	TL		65	570	1,685		16	15.0/3.0

25"



TYRE SIZES

26"	PART NUMBER	SIZE	DESCRIPTION	PLY/LI	SS	TT/TL	CC	PSI	SW	OD	RC	OTD	RW
	TA01786	14.9-26	TITAN HI-POWER LUG R-1	10 PLY	A8	TL	1,855	32	384	1,316	3,962	38	13.00
	TA05886	14.9-26	MARCHER QZ-702 R-1	10 PLY		TT	2,120	34	380	1,365		38	W13
	TA07451	16.9-26	MARCHER QZ-702 R-1	10 PLY		TL	2,300	32	430	1,410		39	W15L
	TA04077	18.4-26	MULTISTAR R-1	12 PLY	A6	TT	2,985	23	467	1,450	4,205	37	16.00
	TA05261	18.4-26	MARCHER QZ-702 R-1	12 PLY		TL	2,985	34	467	1,450		38	DW16
	TA07056	18.4-26	MARCHER QZ-702 R-1 TUBE TYPE	12 PLY		TT	2,985	34	467	1,450		38	DW16
	TA05110	23.1-26	MARCHER FLR3 R-3	18 PLY		TL	4,300	34	587	1,580		28	DW20
	TA05295	23.1-26	MARCHER QZ-705 R-1	16 PLY		TL	4,300	34	587	1,605		34	DW20
	TA07796	750/65R26	UNIGLORY HARVEMAXX	171/174	D/AB	TL			764	1,636	4,921	56	DW23B



HI-POWER LUG



QZ-702



R-1



FLR3



QZ-705



HARVEMAXX

26.5"	PART NUMBER	SIZE	DESCRIPTION	PLY/LI	SS	TT/TL	CC	PSI	SW	OD	RC	OTD	RW
	TA04000	600/55-26.5	MULTISTAR TRC-03	16 PLY		TL	5,800	38	600	1,333	4,047	26	20.00
	TA05994	750/55-26.5	MARCHER LS-2	24 PLY		TL	8,500		750	1,485		49	AG24



TRC-03



LS-2

28"	PART NUMBER	SIZE	DESCRIPTION	PLY/LI	SS	TT/TL	CC	PSI	SW	OD	RC	OTD	RW
	TA05698	11.2-28	MARCHER QZ-702 R-1	12 PLY		TT	1,675	52	285	1,205		33	W10
	TA04169	12.4-28	MULTISTAR R-1 & TUBE SET	10 PLY		TT	1,550	40	325	1,260	3,704	40.5	W10
	TA07108	12.4-28	GRI EX RT100	8 PLY		TL	1,550	33	315	1,260	3,704	34	W11
	TA01634	13.6-28	TITAN TORC-TRAC II R-3	6 PLY	A8	TT	1,286	22	356	1,290	3,835	19	12.00
	TA07028	13.6-28	GRI EX RT100	12 PLY		TL	1,650	29	345	1,310	4,031	36	W12
	TA07448	13.6-28	MARCHER FLR3 R-3	8 PLY	A8	TL	1,500	28	345	1,310	3,830	19	W13
	TA04112	14.9-28	MULTISTAR R-1 & TUBE SET	10 PLY	A6	TL	2,120	34	378	1,365	4,013	34	13
	TA04482	14.9-28	MARCHER R-1	10 PLY		TL	2,120	34	380	1,365		38	W13
	TA03991	16.9-28	MULTISTAR R-1 & TUBE SET	12 PLY	A6	TL	2,620	34	430	1,420	4,013	37	15.00

PART NUMBER	SIZE	DESCRIPTION	PLY/LI	SS	TT/TL	CC	PSI	SW	OD	RC	OTD	RW
TA05018	16.9-28	MARCHER QZ-702 R-1	10 PLY		TT	2,380	29	430	1,435		39	W15L
TA04113	16.9-28	MULTISTAR R-4 LOM	12 PLY		TL	3,550	38	440	1,410	4,145	25	DW15
TA05301	16.9-28	MARCHER SLR4 R-4 LOM	12 PLY		TL	3,450	38	430	1,435		26	W14L
TA02094	18.4-28	TITAN INDUSTRIAL TRACTOR LUG R-4	10 PLY		TL	3,568	30	478	1,468	4,369	28	16.00
TA04483	18.4-28	MARCHER QZ-702 R-1	10 PLY		TL	2,750	26	467	1,500		38	W16L
TA05205	18.4-28	MARCHER SLR4 R-4	12 PLY		TL	4,000	36	467	1,477		27	W16L
TA05692	340/85R28	MARCHER TRACPRO 668 R-1	127/124	A8/B	TL	1,750	23	353	1,289		45	W12
TA07876	380/70R28	UNIGLORY SMARTAGRO R-1W	127/130	D/A8	TL			380	1,293	3,814	45	W12
TA01789	380/85R28	TITAN HI-TRACTION R-1 (14.9R28)	133	A8/B	TL	2,060	23	406	1,377	4,115	40	13.00
TA07016	380/85R28	GRI XLR 85	133	A8/B	TL	2,060	23	380	1,357	4,015	45	W12L
TA07878	380/85R28	UNIGLORY SMARTAGRO R-1W	133/130	A8/B	TL			380	1,357	4,085	45	W12
TA05383	420/70R28	MARCHER TRACPRO 668 R-1	133	D	TL	2,060	23	415	1,345		44	W13
TA01790	420/80R28	TITAN HI-TRACTION R-1 (16.9R28)	139	B	TL	2,430	23	415	1,345	4,293	42	15.00
TA05382	420/85R28	MARCHER TRACPRO 668 R-1	139	A8	TL	2,430	23	438	1,425		48	W15L
TA07019	420/85R28	GRI XLR 85	139	A8/B	TL	2,430	23	438	1,425	4,214	49	W15L
TA07882	420/85R28	UNIGLORY SMARTAGRO R-1W	139/136	A8/B	TL			418	1,425	4,290	48	W15L
TA05660	480/65R28	MARCHER TRACPRO 668 R-1	136	D	TL	2,240	23	479	1,335		45	DW15L
TA06998	480/65R28	GRI XLR 65	142/145	A8	TL	2,650	35	479	1,335	4,058	47	W15L
TA07889	480/65R28	UNIGLORY SMARTAGRO R-1W	136/139	D/A8	TL			479	1,335	4,064	45	W15L
TA07006	480/70R28	GRI XLR 70	140	A8/B	TL	2,500	23	479	1,421	4,183	50	W15
TA07886	480/70R28	UNIGLORY SMARTAGRO R-1W	140/143	D/A8	TL			479	1,421	4,190	46	W15
TA05229	540/65R28	MARCHER TRACPRO 668 R-1	149/146	D/E	TL	3,250	35	530	1,413		48	DW16L
TA07064	540/65R28	GRI XLR 65	149/152	D/A8	TL	3,250	35	530	1,413	4,253	50	W16L
TA07896	540/65R28	UNIGLORY SMARTAGRO R-1W	142/145	D/A8	TL			550	1,413	4,145	48	W16L
TA07153	600/70R28	CFO GOODYEAR OPTITRAC	173	D	TL	6,486	41	599	1,542	4,623	51	20.00
TA07899	600/65R28	UNIGLORY SMARTAGRO MASTER	163	D	TL			597	1,495	4,449	49	DW20B



TYRE SIZES

30"

PART NUMBER	SIZE	DESCRIPTION	PLY/LI	SS	TT/TL	CC	PSI	SW	OD	RC	OTD	RW
TA02401	14.9-30	TITAN HI-TRACTION LUG R-1	10 PLY		TL	1,950	32	399	1,425	4,292	37	13.00
TA02395	16.9-30	TITAN HI-TRACTION LUG R-1	8 PLY		TT	1,996	24	462	1,526	4,585	38	13.00
TA05096	16.9-30	MULTISTAR R-1 & TUBE SET	12 PLY	A6	TT	2,730	35	430	1,485	4,366	37	15.00
TA05247	16.9-30	GOODYEAR SFT105	6 PLY		TL	1,696	18	437	1,461	4,318	20.5	15.00
TA05996	16.9-30	MARCHER QZ-702 R-1	12 PLY		TL	2,730	35	430	1,485		40	15.00
TA02095	18.4R30	TITAN HI POWER LUG RADIAL R-1	143	A8/B	TL	2,725	24	490	1,549	4,623	40	W15L
TA03992	18.4-30	MULTISTAR R-1 & TUBE SET	14 PLY	A6	TT	3,075	36	467	1,552	4,542	37	16.00
TA07030	18.4-30	GRI EX RT100	12 PLY	A6	TL	3,250	33	460	1,545	4,741	38.5	16.00
TA01631	23.1-30	TITAN HI-POWER LUG R-1	8 PLY		TT	2,721	16	605	1,690		41.5	W16L
TA05658	23.1-30	MARCHER QZ-702A R-1	12 PLY		TL	3,850	25	587	1,705		42	20.00
TA02386	380/85R30	TITAN HI-TRACTION LUG RADIAL R-1	135	A8/B	TL	2,180	23	406	1,428	4,293	40	DW20
TA07017	380/85R30	GRI XLR 85	135	A8/B	TL	2,180	23	380	1,408	4,169	45	13.00
TA07879	380/85R30	UNIGLORY SMARTAGRO R-1W	135/132	A8/B	TL			380	1,408	4,238	45	W12
TA05443	420/85R30	MARCHER TRACPRO 668 R-1	140/137	A8/B	TL	2,500	23	438	1,475		48	W12
TA01641	420/90R30	TITAN HI-TRACTION LUG RADIAL R-1	142	A8/B	TL	2,650	23	452	1,496	4,470	40	W15L
TA05444	460/85R30	MARCHER TRACPRO 668 R-1	145/142	A8/B	TL	2,900	23	475	1,544		50	15.00
TA01695	480/70R30	TITAN AG49M RADIAL R-1W	152	B	TL	3,550	46	467	1,468	4,343	53	W16L
TA05431	480/70R30	MARCHER TRACPRO 668 R-1	141	D	TL	2,075	35	468	1,474		47	DW15A
TA05559	480/70R30	GOODYEAR DT812	152	A8/B	TL	3,561	46	480	1,483	4,445	49.5	
TA07891	480/70R30	UNIGLORY SMARTAGRO R-1W	141/144	D/A8	TL			479	1,478	4,425	46	W15L
TA05577	540/65R30	GOODYEAR DT820	150	A8/B	TL	3,350	35	530	1,463	4,394	46	W15L
TA06997	540/65R30	GRI XLR 65	150/153	D/A8	TL	3,350	35	530	1,460	4,403	50	16.00
TA07897	540/65R30	UNIGLORY SMARTAGRO R-1W	143/146	D/A8	TL			550	1,464	4,419	48	W16L
TA02439	600/70R30	TITAN AG 49M RADIAL R-1W	152	A8/B	TL	3,550	23	582	1,603	4,800	52	W16L
TA07011	600/70R30	GRI XLR 70	152	A8/B	TL	3,550	23	591	1,602	4,774	58	20.00
TA07046	600/70R30	GOODYEAR OPTITRAC	152	D	TL	3,550	23	592	1,610	4,867	52	DW20B



PART NUMBER	SIZE	DESCRIPTION	PLY/LI	SS	TT/TL	CC	PSI	SW	OD	RC	OTD	RW
TA07901	600/70R30	UNIGLORY SMARTAGRO R-1W	158/161	D/A8	TL			591	1,602	4,820	56	DW20B
TA05539	710/60R30	GOODYEAR STR LSW	177	D	TL	7,300	41	686	1,620	4,878	62	DW20B

30"



PART NUMBER	SIZE	DESCRIPTION	PLY/LI	SS	TT/TL	CC	PSI	SW	OD	RC	OTD	RW
TA04001	650/65-30.5	MULTISTAR TRC-03	16 PLY		TL	7,750	32	650	1,650	4,935	26	20.00
TA04003	850/50-30.5	MULTISTAR TRC-03 FLOTATION	16 PLY		TL	9,500	32	850	1,650	4,935	26	28.00
TA06634	750/60R30.5	MICHELIN CARGO XBIB	181	D	TL	8,250	22	718	1,680	4,936	26	AG24

30.5"



PART NUMBER	SIZE	DESCRIPTION	PLY/LI	SS	TT/TL	CC	PSI	SW	OD	RC	OTD	RW
TA01474	24.5R32	TITAN HI-TRACTION LUG RADIAL R-1	169	A8/B	TL	5,800	38	643	1,793	5,359	44	21.00
TA05019	24.5L-32	MARCHER QZ-702 R-1	16 PLY		TL	4,579	34	587	1,705		42	DW20
TA05642	24.5L-32	MARCHER QZ-702A R-1	16 PLY		TL	4,994	30	622	1,805		40	DW21
TA07457	24.5L-32	MARCHER FLR3 R-3	16 PLY		TL	4,994	30	623	1,775		28	DW21
TA05051	24.5R32	TITAN TORC TRAC R-3	173	A8/B	TL	6,500	48	596	1,793	5,334	28	21.00
TA04079	30.5R32	TITAN TORC TRAC II R-3	181	A8	TL	8,255	52	749	1,791	5,309	30	
TA04411	30.5L-32	MARCHER QZ-702A R-1	18 PLY		TL	5,370	25	775	1,820		45	DH27
TA05020	30.5L-32	MARCHER QZ-702A R-1	20 PLY		TL	5,950	30	775	1,820		45	DH27
TA05054	30.5L-32	MARCHER FORESTRY LS-2	26 PLY		TL	7,100	41	775	1,845		55	DH27
TA05256	30.5L-32	MARCHER FLR3 R-3	18 PLY	A8	TL	5,200	23	750	1,790	5,225	29	DH27
TA07421	30.5R32	MARCHER FLR3 R-3	181	A8/B	TL	8,250	52	775	1,794		55	32.00
TA07867	270/95R32	UNIGLORY SMARTAGRO ROW CROP	136/139	D/A8	TL			284	1,345	4,040	37	W9
TA01694	800/65R32	TITAN SUPER HI-POWER LUG R-1	172	A8	TL	6,300	35	790	1,826	5,436	47	27.00
TA05257	800/65R32	MARCHER TRACPRO 668 R-1	178	A8	TL	7,500	46	800	1,846		55	DW27B
TA07748	800/65R32	UNIGLORY SMARTAGRO MASTER VF/CFO	184	D	TL			805	1,859	5,505	58	DW27B

32"

TYRE SIZES

32"

PART NUMBER	SIZE	DESCRIPTION	PLY/LI	SS	TT/TL	CC	PSI	SW	OD	RC	OTD	RW
TA05195	900/60R32	GOODYEAR DT830	185	A8/B	TL	9,253	58	919	1,933	5,740	63	32.00
TA05430	900/60R32	MARCHER TRACPRO 668 R-1	181	A8	TL	8,250	46	890	1,900		55	DW30B
TA07749	900/60R32	UNIGLORY SMARTAGRO MASTER VF/CF0	193	A8	TL			906	1,902	5,835	56	DW30B
TA07359	1000/45R32	GOODYEAR OPTITRAC LSW	184	D	TL	8,981	35	991	1,707	5,001	53	DH36HB



34"

PART NUMBER	SIZE	DESCRIPTION	PLY/LI	SS	TT/TL	CC	PSI	SW	OD	RC	OTD	RW
TA07452	16.9-34	MARCHER QZ-702 R-1	10 PLY		TL	2,605	29	430	1,585		39	W15L
TA01689	18.4-34	TITAN HI-TRACTION LUG RADIAL R-1		A8/B	TL	2,436	18	478	1,654	4,953	42	16.00
TA07031	18.4-34	GRI EX RT100	12 PLY		TT	3,450	33	467	1,650	4,850	38.55	W16L
TA01793	23.1-34	TITAN HI-TRACTION LUG R-1	8 PLY	A8/B	TL	2,910	16	612	1,836	5,359	42	20.00
TA04485	23.1-34	MARCHER QZ-702N R-1	12 PLY		TL	3,350	22	602	1,799		42	DW20B
TA02782	380/85R34	TITAN HI-TRACTION LUG RADIAL R-1	137	A8/B	TL	2,310	23	406	1,530	4,598	42	13.00
TA01643	420/85R34	TITAN AG49M RADIAL R-1W	147	A8/B	TL	3,075	35	419	1,577	4,775	45	15.00
TA05592	420/85R34	MARCHER TRACPRO 668 R-1	142/139	A8/B	TL	2,650	23	438	1,578		48	W15L
TA07883	420/85R34	UNIGLORY SMARTAGRO R-1W	142/139	A8/B	TL			418	1,578	4,735	48	W15L
TA01636	480/70R34	TITAN AG 49M RADIAL R-1W	156	A8/B	TL	3,875	46	465	1,580	4,801	49	15.00
TA05597	480/70R34	MARCHER TRACPRO 668 R-1	143	A8/B	TL	2,725	23	468	1,850		47	W15L
TA07007	480/70R34	GRI XLR 70	149	A8/B	TL	3,250	35	479	1,580	4,759	50	W15L
TA07887	480/70R34	UNIGLORY SMARTAGRO R-1W	143/146	D/A8	TL			479	1,580	4,720	46	W15L



PART NUMBER	SIZE	DESCRIPTION	PLY/LI	SS	TT/TL	CC	PSI	SW	OD	RC	OTD	RW
TA07009	520/70R34	GRI XLR 70	148	A8/B	TL	3,150	23	516	1,640	4,901	54	W16L
TA07893	520/70R34	UNIGLORY SMARTAGRO R-1W	148/151	D/A8	TL			516	1,640	4,875	48	W16L
TA05439	540/65R34	MARCHER TRACPRO 668 R-1	152	D	TL	3,550	35	530	1,586		48	DW16L

34"

GRI



XLR 70

PART NUMBER	SIZE	DESCRIPTION	PLY/LI	SS	TT/TL	CC	PSI	SW	OD	RC	OTD	RW
TA07228	12.4-38	MARCHER QZ-702 R-1	12 PLY	A6	TL	2,250	43	315	1,565	4,575	38	W11
TA05688	16.9-38	MARCHER QZ-702 R-1	12 PLY		TL	2,880	33	430	1,685		39	W15L
TA05460	18.4-38	MARCHER QZ-702 R-1	12 PLY		TL	3,575	33	467	1,755		41	W16L
TA05854	18.4-38	MARCHER QZ-702 R-1	16 PLY		TL	4,395	42	467	1,755		41	W16L
TA01760	20.8-38	TITAN HI-TRACTION LUG R-1	28 PLY	A8	TL	5,818	62	551	1,852	5,436	41	18.00
TA04126	20.8-38	MULTISTAR R1	12 PLY		TT	4,000	29	530	1,835	5,395	40.5	DW18L
TA01701	320/85R38	TITAN TT 49V R-1W	138	A8/B	TL	2,360	41	320	1,509	4,547	44	10.00
TA07316	380/80R38	TITAN AGRA EDGE R-1W	142	D	TL	2,650	35	376	1,591	4,782	43	W12
TA05699	420/85R38	MARCHER TRACPRO 668 R-1	144/141	A8/B	TL	2,800	23	438	1,679		48	W15L
TA07021	420/85R38	GRI XLR 85	144	A8/B	TL	2,800	23	438	1,679	4,992	51	W15L
TA07884	420/85R38	UNIGLORY SMARTAGRO R-1W	144/141	A8/B	TL			418	1,679	5,060	48	W15L
TA05429	460/85R38	MARCHER TRACPRO 668 R-1	149/146	A8/B	TL	3,250	23	475	1,745		50	W16L
TA07022	460/85R38	GRI XLR 85	149/146	A8/B	TL	3,250	1.6	475	1,747	5,161	54	W16L
TA07855	460/85R38	UNIGLORY SMARTAGRO R-1W	149/146	A8/B	TL			455	1,747	5,260	53	W16L
TA07008	480/70R38	GRI XLR 70	145	A8/B	TL	2,900	23	479	1,681	5,015	50	W15L
TA07888	480/70R38	UNIGLORY SMARTAGRO R-1W	145/148	D/A8	TL			479	1,681	5,055	52	W15L
TA01801	480/80R38	TITAN HI-TRACTION LUG RADIAL R-1	152	A8/B	TL	3,550	29	503	1,755	5,283	42	16.00
TA07010	520/70R38	GRI XLR 70	150	A8/B	TL	3,350	23	516	1,749	5,300	54	W16L
TA07894	520/70R38	UNIGLORY SMARTAGRO R-1W	150/153	D/A8	TL			516	1,849	5,510	55	W16L
TA01802	520/85R38	TITAN HI-TRACTION LUG RADIAL R-1	158	B	TL	4,250	29	541	1,852	5,537	44	18.00
TA04454	520/85R38	GOODYEAR DYNA TORQUE	170	A8/B	TL	6,000	58	538	1,834	5,512	42	W18A
TA05055	520/85R38	MARCHER TRACPRO 668 R-1	155/152	A8/B	TL	3,875	23	536	1,849		52	DW18L
TA07898	540/65R38	UNIGLORY SMARTAGRO R-1W	147/150	D/A8	TL			550	1,667	5,023	48	W16L
TA05661	600/65R38	MARCHER TRACPRO 668 R-1	153	D	TL	3,660	23	590	1,745		48	DW18L
TA07000	600/65R38	GRI XLR 65	159/162	A8	TL	4,375	35	611	1,745	5,247	55	DW20B
TA07900	600/65R38	UNIGLORY SMARTAGRO R-1W	153/156	D/A8	TL			591	1,745	5,251	49	W18L

38"

TYRE SIZES

38"

PART NUMBER	SIZE	DESCRIPTION	PLY/LI	SS	TT/TL	CC	PSI	SW	OD	RC	OTD	RW
TA05689	650/65R38	GOODYEAR OPTITRAC R-1W	166	D	TL	5,600	23	612	1,832	5,513	57	DW20B
TA05697	650/65R38	MARCHER TRACPRO 668 R-1	163/159	D/E	TL	4,875	35	645	1,811		48	DW20B
TA07136	650/65R38	GRI XLR 65	163/166	D/A8	TL	4,875	35	645	1,811	5,483	59	DW20B
TA07903	650/65R38	UNIGLORY SMARTAGRO FALCON	175	D	TL			645	1,811	5,345	56	DW23B
TA05560	650/85R38	GOODYEAR DT824	173	A8/B	TL	6,500	35	655	2,052	6,142	60	DW20B
TA07024	650/85R38	GRI XLR 85	173/176	D/A8	TL	5,395	23	675	2,071	6,184	65	DW23B
TA01646	710/70R38	TITAN AG49M RADIAL R-1W	166	A8/B	TL	5,300	23	711	1,930	5,766	62	23.00
TA05432	710/70R38	MARCHER TRACPRO 668 R-1	166	D	TL	5,300	23	716	1,959		56	DW23B
TA07012	710/70R38	GRI XLR 70	166	A8/B	TL	5,300	23	716	1,959	5,751	59	W18L
TA07078	710/70R38	GOODYEAR OPTITRAC	179	D	TL	7,750	52	718	1,954	5,906	62	DW23B
TA07747	710/70R38	UNIGLORY SMARTAGRO MASTER VF/CFO	181	D	TL			715	1,945	5,768	60	DW25B
TA07906	710/70R38	UNIGLORY SMARTAGRO R-1W	178/181	D/A8	TL			710	1,910	5,760	60	DW23B
TA07093	800/70R38	GOODYEAR OPTITRAC	181	D	TL	8,250	41	812	2,051	6,150	61	DW27B
TA07746	800/70R38	UNIGLORY SMARTAGRO MASTER VF/CFO	187	D	TL			805	6,061	6,065	61	DW27B
TA07465	800/70R38	GOODYEAR OPTITRAC IF/CFO	190	D	TL	10,600	46	833	2,058	6,124	61	DW27B



PART NUMBER	SIZE	DESCRIPTION	PLY/LI	SS	TT/TL	CC	PSI	SW	OD	RC	OTD	RW
TA07207	320/80R42	GOODYEAR OPTITRAC	150	D	TL	3,357	52	302	1,585	4,815	40	W10A
TA02160	480/80R42	TITAN AGRA EDGE R-1	166	D	TL	5,307	58	479	1,841	5,568	47	DW16A
TA05435	480/80R42	MARCHER TRACPRO 668 R-1	151	A8/B	TL	3,450	23	495	1,850		48	W16A
TA05871	480/80R42	GOODYEAR DYNA TORQ	166	A8/B	TL	5,300	58	495	1,864	5,685	52	DW16A
TA07013	480/80R42	GRI XLR 80	151	A8/B	TL	3,041	23	479	1,835	5,459	54	DW16L
TA07488	480/80R42	GRI XLR 85	166	B	TL	3,450	23	479	1,835	5,459	54	DW16L
TA07892	480/80R42	UNIGLORY SMARTAGRO R-1W	156/153	A8/B	TL			479	1,835	5,505	55	W16A
TA05438	520/85R42	MARCHER TRACPRO 668 R-1	157	A8/B	TL	4,125	23	536	1,952		52	DW18L
TA00770	520/85R42	TITAN AGRA EDGE R-1W	157	D	TL	4,125	23	529	1,926	5,766	49	DW18B
TA07402	520/85R42	GRI XLR 85	157	A8/B	TL	4,125	23	516	1,951	5,735	56.5	DW16A
TA07895	520/85R42	UNIGLORY SMARTAGRO R-1W	162/159	A8/B	TL			516	1,951	5,750	55	DW16A
TA05434	620/70R42	MARCHER TRACPRO 668 R-1	166	D	TL	5,300	35	625	1,941		52	DW20B
TA07091	620/70R42	GOODYEAR OPTITRAC	166	D	TL	5,300	35	620	1,936	5,852	52	DW20B
TA07135	620/70R42	GRI XLR 70	160	A8/B	TL	4,500	23	625	1,935	5,742	58	DW20B
TA07902	620/70R42	UNIGLORY SMARTAGRO R-1W	160/163	D/A8	TL			625	1,935	5,855	58	DW20B
TA05596	650/65R42	GOODYEAR DT820	170	A8/B	TL	5,987	46	645	1,913	5,740	54	DW20B
TA07137	650/65R42	GRI XLR 65	165/168	D/A8	TL	5,150	35	645	1,913	5,740	59	DW20B
TA07904	650/65R42	UNIGLORY SMARTAGRO R-1W	165/168	D/A8	TL			645	1,913	5,780	57	DW20B
TA06291	710/70R42	GOODYEAR OPTITORQUE	179	D	TL	7,750	46	699	2,068	6,256	46	DW23B
TA07335	710/70R42	GRI XLR 70	173/176	D/A8	TL	6,500	35	716	2,061	6,174	59	DW23B
TA07797	710/70R42	UNIGLORY SMARTAGRO MASTER VF/CFO	182	D	TL			717	2,060	6,180	63	DW25B
TA07798	710/70R42	UNIGLORY SMARTAGRO MASTER VF/CFO	188	A8	TL			717	2,060	6,180	63	DW25B
TA07799	710/75R42	UNIGLORY SMARTAGRO MASTER VF/CFO	184	D	TL			730	2,160	6,410	64	DW25B
TA05617	900/60R42	GOODYEAR OPTITRAC R-1 LSW	200	D	TL	8,000	35	946	2,165	6,507	56	DW30B
TA07670	900/60R42	UNIGLORY SMARTAGRO MASTER VF	189	D	TL			906	2,149	6,428	64	DW30B
TA07800	900/60R42	UNIGLORY SMARTAGRO MASTER VF/CFO	200	D	TL			906	2,149	6,428	64	DW30B



TYRE SIZES

46"

PART NUMBER	SIZE	DESCRIPTION	PLY/LI	SS	TT/TL	CC	PSI	SW	OD	RC	OTD	RW
TA07027	300/95R46	GRI XLR 95	148	A8/B	TL	3,150	58	295	1,738	5,318	36	W9
TA07870	300/95R46	UNIGLORY SMARTAGRO ROW CROP	148/151	D/A8	TL			315	1,738	5,220	40	W9
TA01632	380/90R46	TITAN HI-TRACTION LUG RADIAL R-1	168	A8/B	TL	5,600	78	399	1,836	5,537	40	13.00
TA01693	380/90R46	TITAN HI-TRACTION LUG RADIAL R-1	156	A8/B	TL	4,000	49	399	1,836	5,537	40	13.00
TA01856	380/90R46	TITAN HI-LOAD RADIAL R-1S	168	A8/B	TL	5,600	78	399	1,836	5,537	33	13.00
TA07270	380/90R46	GOODYEAR ULTRASPRAY	168	A8/B	TL	5,600	78	381	1,846	5,631	39	DW13B
TA07801	380/90R46	UNIGLORY SMARTAGRO CROSS VF	173	D	TL			390	1,852	5,556	46	DW13A
TA01645	480/80R46	TITAN HI-TRACTION LUG RADIAL R-1	158	A8/B	TL	4,250	35	478	1,958	5,893	42	16.00
TA06620	480/80R46	VF BKT SPARGO R-1	177	D	TL	7,300	52	480	1,935	5,859		DW16
TA07750	480/80R46	UNIGLORY SMARTAGRO CROSS VF	177	D	TL			485	1,955	5,865	48	DW16A
TA07023	520/85R46	GRI XLR 85	158	A8/B	TL	4,250	23	516	2,052	6,121	57	DW16L
TA07856	520/85R46	UNIGLORY SMARTAGRO R1-W	171/174	D/A8	TL			530	2,051	6,121	58	DW16A
TA07170	620/70R46	GOODYEAR OPTITRAC	177	D	TL	7,300	58	632	2,043	6,202	52	DW20B
TA07669	620/70R46	UNIGLORY SMARTAGRO CROSS VF	179	D	TL			630	2,013	6,040	52	DW21B
TA07187	710/60R46	GOODYEAR OPTITRAC LSW	174	D	TL	6,713	23	715	2,040	6,152	62	DW25B
TA06095	800/55R46	GOODYEAR OPTITRAC LSW	190	D	TL	10,600	46	785	2,067	6,254	61	DW28B
TA05245	1100/45R46	GOODYEAR DT930 LSW	195	D	TL	12,156	35	1,013	2,141	6,424	61	DW38HB
TA05538	1250/35R46	GOODYEAR OPTITRAC LSW	195	D	TL	12,150	35	1,224	2,078	6,362	66	DH44HB
TA05541	1400/30R46	GOODYEAR OPTITRAC LSW	201	D	TL	14,500	46	1,389	2,137	6,314	66	DH50HB



PART NUMBER	SIZE	DESCRIPTION	PLY/LI	SS	TT/TL	CC	PSI	SW	OD	RC	OTD	RW
TA07026	270/95R48	GRI XLR 95	144	A8/B	TL	2,800	58	275	1,733	5,351	35	W9
TA07868	270/95R48	UNIGLORY SMARTAGRO ROW CROP	144/147	D/A8	TL			275	1,750	5,350	38	W8

48"



PART NUMBER	SIZE	DESCRIPTION	PLY/LI	SS	TT/TL	CC	PSI	SW	OD	RC	OTD	RW
TA07201	480/80R50	GOODYEAR OPTITORQUE	179	D	TL	7,756	52	475	2,050	6,235	40	DW15A
TA07751	480/80R50	UNIGLORY SMARTAGRO CROSS VF	179	D	TL			485	2,045	6,135	48	DW16A
TA07472	480/95R50	MICHELIN VF YELDBIB R-1	170	A8/B	TL	6,000	23	470	2,200	6,497	53	DW16A

50"



PART NUMBER	SIZE	DESCRIPTION	PLY/LI	SS	TT/TL	CC	PSI	SW	OD	RC	OTD	RW
TA01704	320/90R54	TITAN AG 49V RADIAL R-1W	154	A8/B	TL	3,750	60	318	1,948	5,918	45	10.00
TA07362	480/70R54	GOODYEAR OPTITORQUE LSW	181	D	TL	7,756	64	480	2,065	6,265	40	W16A
TA07802	480/70R54	UNIGLORY SMARTAGRO CROSS VF	190	D	TL			488	2,299	6,274	54	W16L

54"



LIGHT TRUCK & AIRCRAFT RETREAD

LT	PART NUMBER	SIZE	DESCRIPTION	PLY/LI	SS	TT/TL	CC	PSI	SW	OD	RC	OTD	RW
	TA01113	145R12 C	HIADA HD515	80/70	S	TL	450	50	147	548	1,721		4
	TA01094	155R13 C	HIADA HD515	85/83	S	TL	510	50	157	580	1,821		4.5
	TA00884	165R13	TIAN FU RD228	94/92	S	TL	487	35	165	594	1,865		4.5
	TA07072	185R14 C	HIADA HD718	102/100	S	TL	840	65	188	652	2,047		5.5
	TA00509	195R14 C	HIADA HD717	106/104	S	TL	935	65	198	668	2,098		5.5
	TA00514	31 x 10.50R15 LT	HIADA HD818	109	S	TL	1,030	50	268	775	2,434		8.5
	TA00510	235/75R15 LT	HIADA HD818	104/101	S	TL	900	50	235	733	2,302		6.5
	TA03099	7.50R16	HIADA HD168 (SET)	118/122	N	TT	1,495	110	218	808	2,537		6.0



AR	PART NUMBER	SIZE	DESCRIPTION	PLY/LI	SS	TT/TL	CC	PSI	SW	OD	RC	OTD	RW
	TA00924	20.00-20	AIRCRAFT RETREAD	26 PLY		TT	21,000		508	1,370	4,302		
	TA01459	30/11.50-14.5	AIRCRAFT RETREAD	24 PLY		TT	11,000		292	737	2,314		
	TA01042	40/14.50-19	AIRCRAFT RETREAD			TT	16,000		368	990	3,109		
	TA01044	40/14.00-16	AIRCRAFT RETREAD	24 PLY		TT	12,000		356	990	3,109		
	TA01049	46/18.00-20	AIRCRAFT RETREAD	32 PLY		TT	23,000		457	1,143	3,589		
	TA01054	49/19.00-22	AIRCRAFT RETREAD	32 PLY		TT	25,000		483	1,219	3,828		
	TA01056	50/21.00-20	AIRCRAFT RETREAD	30 PLY		TT	22,000		533	1,245	3,909		

LI Load Indicator **PSI** Pressure **RC** Rolling Circumference
SS Speed Symbol **SW** Section Width **OTD** Original Tread Depth
CC Carrying Capacity **OD** Outer Diameter **RW** Rim Width

OTR TYRE WARRANTY

All tyre products imported by OTR are covered by Manufacturers warranty. As the qualification for warranty replacement varies with different suppliers, please consult with your local OTR Sales Representative for details and assistance.

Any other tyres purchased locally by OTR will be passed to the supplier for warranty consideration.

Any tyre that has a defect that affects the performance of the product which is deemed to be caused by materials used or the manufacturing process shall be deemed warrantable. Again, please consult your local OTR Sales Representative.

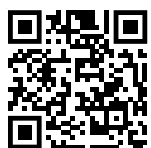
CONDITIONS & EXCLUSIONS

- Tyres less than 2mm tread depth shall be deemed to be worn out.
- Warranty only if tyre is deemed unusable because of materials used or manufacturer's process.
- In the event that the tyre is deemed warrantable by OTR - it shall be replaced with an equivalent tyre of the brand only being replaced.
- To the extent permitted by law, OTR and its distributors disclaims liability for downtime, damages, loss of vehicle use or inconvenience.
- It is the owner's responsibility to operate the tyres within the load/speed/pressures as specified by the manufacturer. It is the owner's responsibility to seek such information.
- This warranty policy applies only to new tyres:
 - The original purchaser of the tyre and is not transferable.
 - The original equipment that the tyre was originally fitted.
- All replacement tyres will be supplied only after the tyre is inspected and authorised by OTR.
- No tyres shall be supplied as "Pending Warranty Inspection"

EXAMPLES OF NON WARRANTABLE CONDITIONS

- Field or Road Hazards e.g. cuts, punctures, stubble damage, impact damage, tears/cuts in tread shoulder or sidewalls.
- Under inflation, overload or excessive speed abuse.
- Any repair or incorrect fitting of tyre.
- Vehicle defects including misalignment, worn mechanical parts.
- Mismatching of dual tyres or incorrect matching front to rear size differentials.





OTR AUSTRALIA PTY LTD

1300 CALL OTR

www.otraustralia.com

sales@otraustralia.com

Version 2.0

Updated October 2024



BELLEVUE WA

113 Clayton Street, Bellevue WA, 6056

p: (08) 9250 8949 | e: sales@otrtyre.com



KEWDALE WA

12 Bradford Street, Kewdale WA, 6105

p: (08) 9253 6100 | e: sales@otraustralia.com



KALGOORLIE WA

56 Great Eastern Highway, Kalgoorlie WA, 6430

p: (08) 9021 4404 | e: sales@otrtyre.com



KARRATHA WA

51 Pemberton Way, Karratha WA, 6714

p: (08) 9144 4887 | e: sales@otrtyre.com



PORT HEDLAND WA

14 Murrena Street, Wedgefield WA, 6721

p: (08) 9172 5984 | e: sales@otrtyre.com



GERALDTON WA

239 Place Road, Webberton WA, 6530

p: (08) 9964 6988 | e: sales@otrtyre.com



GERALDTON WA

141 Flores Road, Webberton, WA 6530

p: (08) 9932 6174 | e: sales@otraustralia.com



YATALA QLD

34 Alloy Street, Yatala QLD, 4207

p: (07) 3803 8333 | e: sales@otraustralia.com



EMERALD QLD

12-16 Kyle Street, Emerald QLD, 4720

p: (07) 4987 4784 | e: sales@otraustralia.com



MOUNT ISA QLD

38-40 Barkly Highway, Mount Isa, QLD 4825

p: (07) 4743 6633 | e: sales@otraustralia.com



GLADSTONE QLD

42 Callemondah Drive, Gladstone, QLD 4680

p: (07) 4978 7233 | e: sales@otraustralia.com



MACKAY QLD

33-35 Connors Road, Paget, QLD 4740

p: (07) 4952 2797 | e: sales@otraustralia.com



BRISBANE QLD

9 Navigator Place, Hendra, QLD 4011

p: (07) 3868 4089 | e: sales@otraustralia.com



SYDNEY NSW

100 Brabham Drive, Eastern Creek, NSW 2766

p: (02) 9676 4099 | e: sales@otraustralia.com



MUSWELLBROOK NSW

26 Strathmore Road, Muswellbrook, NSW 2333

p: (02) 6541 3207 | e: sales@otraustralia.com



MILDURA VIC

36-42 Tenth Street, Mildura, VIC 3500

p: (03) 5018 7800 | e: sales@otraustralia.com